
8-Channel 7-Level $\pm 80V$ High-Voltage Pulser with T/R Switches

Features

- High-Voltage CMOS Technology for High Performance
- 8-Channel, True 5-Level or Pseudo 7-Level, $\pm 80V$, 2A, with Return-to-Zero (RTZ) to True Zero Voltage
- Programmable $\pm 0.5A$, 1.0A, 1.5A and 2A Output Current from V_{PP1}/V_{NN1}
- Integrated Radio Frequency (RF) Blocking, Clamp Diode and RX Damp
- 13Ω Transmit/Receive (T/R) and Low Voltage (LV) Switches Allow Receiver Multiplexing
- 160Ω Auto-Bleeding Switches for RTZ True Zero
- 220 MHz Clock Retiming Synchronization Capability
- 2.5V, 3.3V Logic Control Voltage, designed to work with FPGA Inputs and Outputs (I/O) directly.
- Adjusting T/R Switch Delay, Avoid Echo Saturating
- TX Output Frequency up to 20 MHz
- -40 dB HD2 Second Harmonic Distortion at 5 MHz
- 12 mm x 12 mm x 1.20 mm 206-Lead TFBGA Package

Applications

- Medical ultrasound imaging system
- NDT (nondestructive testing) ultrasound transmission pulsers
- Piezoelectric or capacitive transducer drivers

Description

The HV7322 device is an 8-channel, true 5-level or pseudo 7-level, high-voltage pulser, with integrated T/R switches. HV7322 is designed for medical ultrasound applications. It is also fitted for NDT and other transducer drive applications.

The HV7322 device's output has seven different voltage levels: $V_{PP0,1,2}$, $V_{NN0,1,2}$ and GND. The output MOSFET transistors can provide up to $\pm 2A$ of current at the maximum voltage of $\pm 80V$. HV7322 has channel RTZ for the return-to-zero feature. The three sets of high-voltage outputs, with $\pm 2A$ of peak output current in B-Mode and programmable 2-bit, use the V_{PP1}/V_{NN1} voltage rails for the CW-Mode ($IM<1:0> = 0$), in order to reduce the CW-Mode power dissipations on chip.

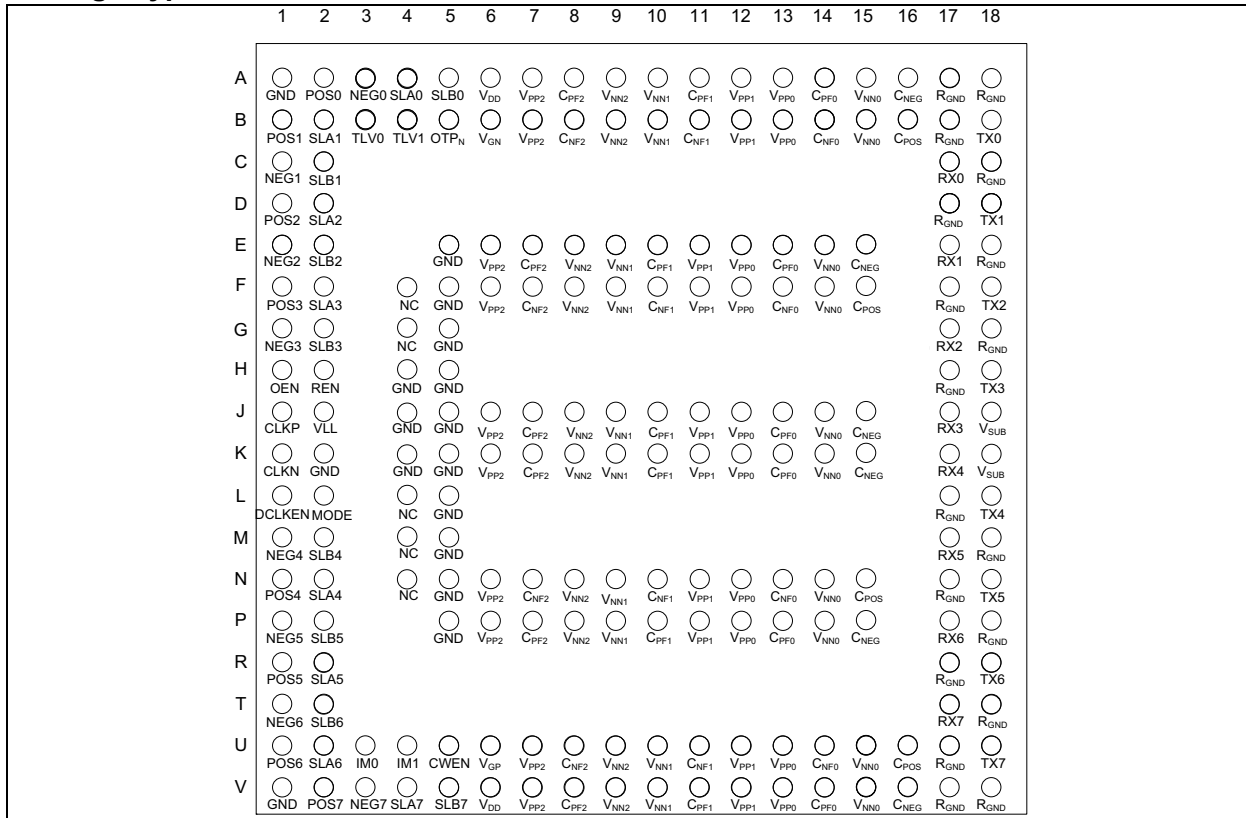
The high-voltage T/R and LV analog switches (total 13Ω) and RX damp switch are integrated in each channel, while the 160Ω RTZ switches dedicated for true zero voltage minimize the received noise.

The 220 MHz differential retiming clock inputs and built-in registers are capable of providing low jitter in Continuous Wave Doppler (CWD) mode, in Pulse Wave (PW) mode or in B-mode. The clock synchronization realigns the logic input signals to a master clock, which reduces various propagation delays caused by FPGA inaccuracies and/or long PCB traces.

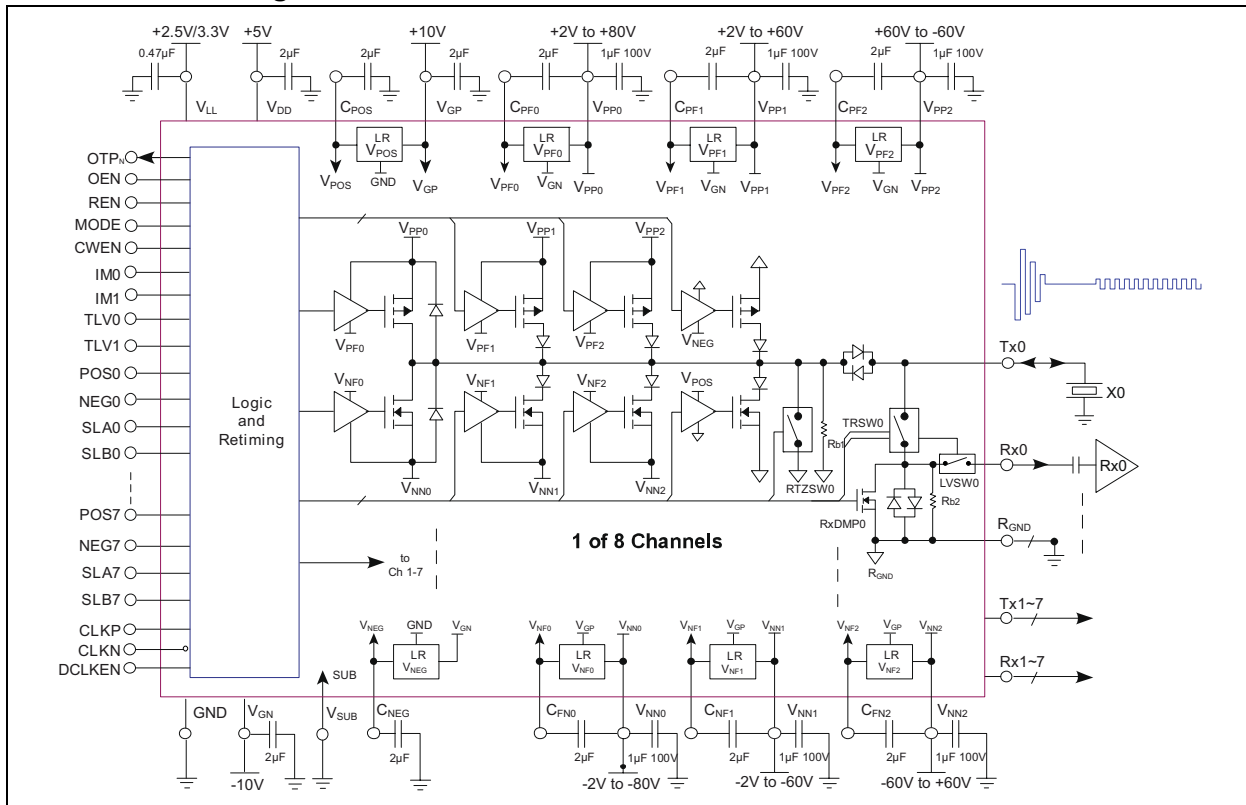
The integrated circuit (IC) has built-in gate-driver floating voltage regulators, allowing $V_{PP0,1,2}$ and $V_{NN0,1,2}$ high-voltage rails to move the voltage interdependently from 0 to $\pm 80V$ or to 60V. Each of the pulsers has output voltage overshoot clamping diodes to the highest level of the supply pin of V_{PP0} or V_{NN0} rails respectively. The differential clock inputs take Differential Clock or LVCMOS output signals. The logic control voltages are designed to work with the Differential Clock or the LVCMOS logic families directly.

HV7322

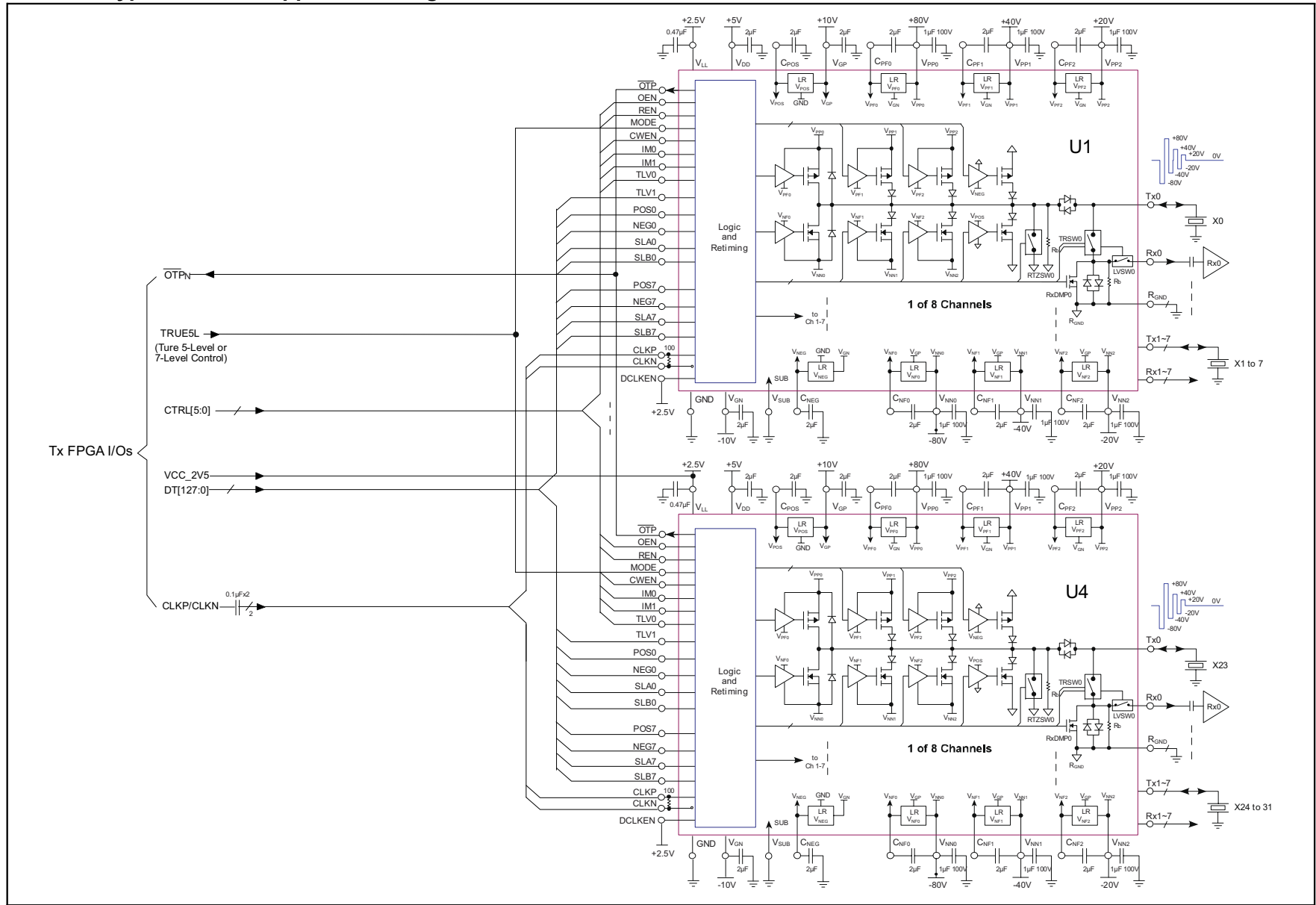
Package Types



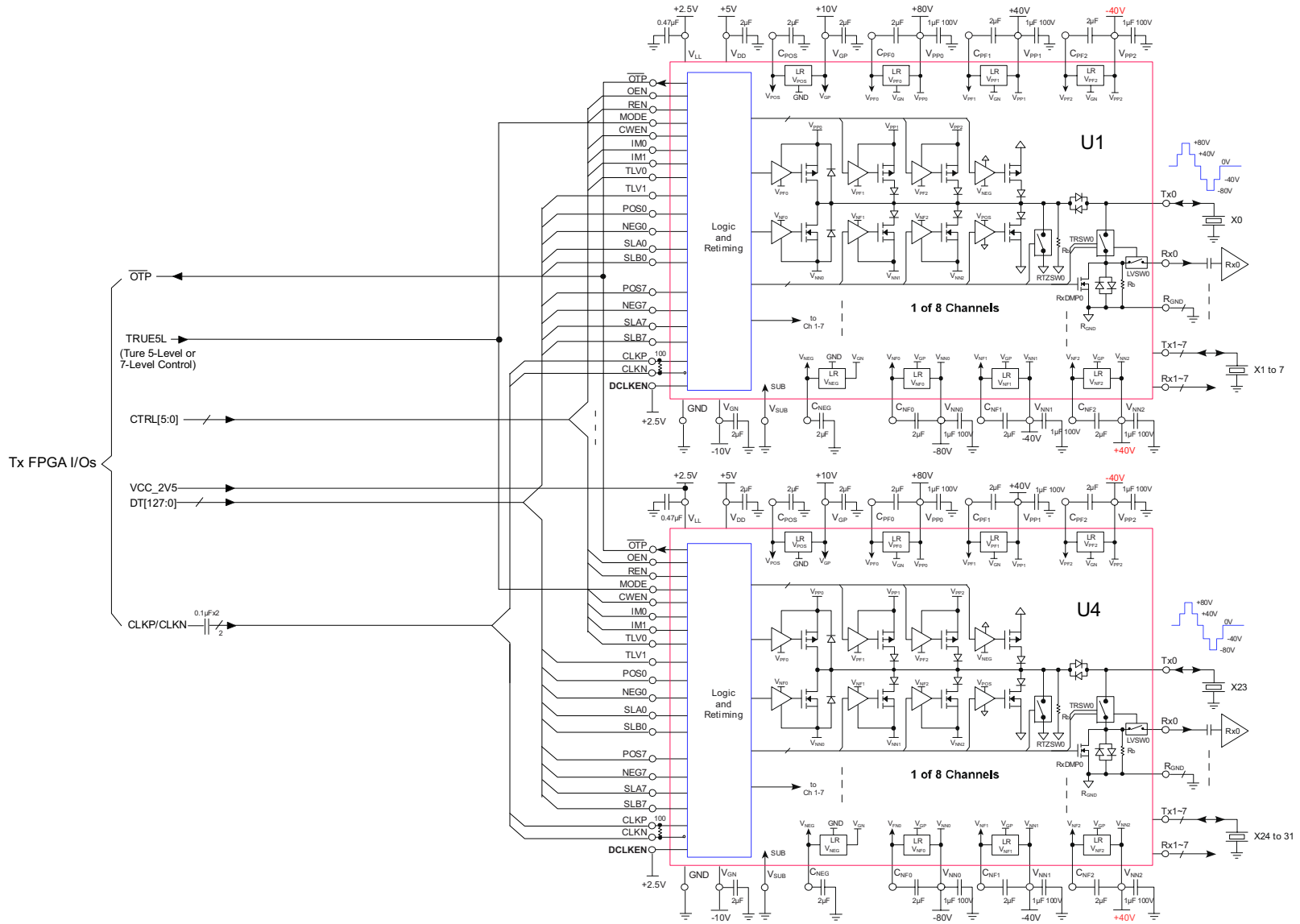
HV7322 - Block Diagram



HV7322 - Typical 7-Level Application Diagram



HV7322 - Typical True 5-Level Application Diagram



1.0 ELECTRICAL CHARACTERISTICS

Absolute Maximum Ratings†

Logic Voltage (V_{LL}).....	-0.5V to +5.5V
All I/O and CLK pin voltage (V_{IO}).....	-0.5V to +5.5V
Positive voltage supply (V_{DD}).....	-0.5V to +5.5V
Positive gate driver supply (V_{GP}).....	-0.5V to +13.5V
Negative gate driver supply (V_{GN}).....	-13.5V to +0.5V
High-voltage positive supply (V_{PP0}).....	-1.0V to +85V
High-voltage positive supply (V_{PP1}).....	-1.0V to +65V
High-voltage positive supply (V_{PP2}).....	-65V to +65V
High-voltage negative supply (V_{NN0}).....	-85V to +1.0V
High-voltage negative supply (V_{NN1}).....	-65V to +1.0V
High-voltage negative supply (V_{NN2}).....	-65V to +65V
TX pin voltage (V_{TX}).....	-85V to +85V
RX pin to GND voltage (V_{RX}).....	± 0.7 to ± 1.4 V
Maximum not-latch-up current (I_{LU}).....	+100 mA
ESD HBM Rating T_X , V_{PP} , V_{NN} , CPF, CNF, CNEG, CPOS, V_{GP} , V_{GN} , R_X , R_{GND} pins.....	-0.50 to +0.50 kV
ESD HBM Rating – all other LV pins.....	-2.0 to +2.0 kV

† **Notice:** Stresses above those listed under “Maximum Ratings” may cause permanent damage to the device. This is a stress rating only and functional operation of the device at those or any other conditions above those indicated in the operational sections of this specification is not intended. Exposure to maximum rating conditions for extended periods may affect device reliability.

ELECTRICAL CHARACTERISTICS

Electrical specifications: $V_{LL} = +2.5$ V, $V_{DD} = +5.0$ V, $V_{PP0} = +80$ V, $V_{NN0} = -80$ V, $V_{PP1,2} = +60$ V, $V_{NN1,2} = -60$ V, $V_{GP} = +10$ V, $V_{GN} = -10$ V, $V_{SUB} = 0$ V, $MODE = 0$, $OEN = REN = 1$, $T_A = 25^\circ$ C.

Parameter	Sym.	Min.	Typ.	Max.	Unit	Conditions
Operating Supply Voltages						
Positive Logic Supply	V_{LL}	2.25	2.50	3.60	V	—
Internal Voltage Supply	V_{DD}	4.75	5.0	5.25	V	—
Positive Gate Driver Supply	V_{GP}	8.0	10	12	V	—
Negative Gate Driver Supply	V_{GN}	-12	-10	-8.0	V	—
High Voltage Positive Supply	V_{PP0}	0	—	80	V	Must be $V_{PP0} \geq V_{PP1}$ and V_{PP2}
	V_{PP1}	0	—	60	V	Must be $V_{PP1} \leq V_{PP0}$
	V_{PP2}	0	—	60	V	$MODE = 0$ In the 7-Level Mode. Must be $V_{PP2} \leq V_{PP0}$
	V_{PP2}	$V_{NN1} - 0.7$	V_{NN1}	$V_{NN1} + 0.7$	V	$MODE = 1$ $ V_{PP2} - V_{NN1} \leq 0.7$

Note 1: Characterized only; not 100% tested in production.

2: Design guidance only.

HV7322

ELECTRICAL CHARACTERISTICS (CONTINUED)

Electrical specifications: $V_{LL} = +2.5V$, $V_{DD} = +5.0V$, $V_{PP0} = +80V$, $V_{NN0} = -80V$, $V_{PP1,2} = +60V$, $V_{NN1,2} = -60V$, $V_{GP} = +10V$, $V_{GN} = -10V$, $V_{SUB} = 0V$, $MODE = 0$, $OEN = REN = 1$, $T_A = 25^\circ C$.

Parameter	Sym.	Min.	Typ.	Max.	Unit	Conditions
High Voltage Negative Supply	V_{NN0}	-80	—	0	V	Must be $V_{NN0} \leq V_{NN1}$ and V_{NN2}
	V_{NN1}	-60	—	0		Must be $V_{NN1} \geq V_{NN0}$
	V_{NN2}	-60	—	0	V	MODE = 0 In the 7-Level Mode. Must $V_{NN2} \geq V_{NN0}$
	V_{NN2}	$V_{PP1} - 0.7$	V_{PP1}	$V_{PP1} + 0.7$	V	MODE = 1 $ V_{NN2} - V_{PP1} \leq 0.7$
Operating Supply Current						
V_{LL} Quiescent Current	I_{LLQ}	—	2	5	μA	OEN = REN = 0
V_{DD} Quiescent Current	I_{DDQ}	—	54	65	μA	
V_{PP0} Quiescent Current	I_{PP0Q}	—	—	15	μA	
V_{NN0} Quiescent Current	I_{NN0Q}	-15	—	—	μA	
V_{PP1} Quiescent Current	I_{PP1Q}	—	—	20	μA	
V_{NN1} Quiescent Current	I_{NN1Q}	-20	—	—	μA	
V_{PP2} Quiescent Current	I_{PP2Q}	—	—	40	μA	
V_{NN2} Quiescent Current	I_{NN2Q}	-40	—	—	μA	
V_{DD} Current	I_{DDEN}	—	1	2	mA	DCLKEN = 0 $f_{TX} = 0$ MHz $f_{CLK} = 0$
V_{PP0} Current	I_{PP0EN}	—	0.26	0.4	mA	
V_{NN0} Current	I_{NN0EN}	-0.4	-0.34	—	mA	
V_{PP1} Current	I_{PP1EN}	—	0.12	0.3	mA	
V_{NN1} Current	I_{NN1EN}	-0.3	-0.13	—	mA	
V_{PP2} Current	I_{PP2EN}	—	0.12	0.3	mA	
V_{NN2} Current	I_{NN2EN}	-0.3	-0.12	—	mA	
V_{LL} Current with Re-Timing	I_{LL_DCLK}	—	0.41	0.45	mA	DCLKEN = 1, $f_{CLK} = 160$ MHz TX one-channel output active, no load. The continuous values are calculated from measured burst-mode 5 MHz cases.
V_{DD} Current with Re-Timing	I_{DD_DCLK}	—	25	30	mA	

Note 1: Characterized only; not 100% tested in production.

2: Design guidance only.

ELECTRICAL CHARACTERISTICS (CONTINUED)

Electrical specifications: $V_{LL} = +2.5V$, $V_{DD} = +5.0V$, $V_{PP0} = +80V$, $V_{NN0} = -80V$, $V_{PP1,2} = +60V$, $V_{NN1,2} = -60V$, $V_{GP} = +10V$, $V_{GN} = -10V$, $V_{SUB} = 0V$, $MODE = 0$, $OEN = REN = 1$, $T_A = 25^\circ C$.

Parameter	Sym.	Min.	Typ.	Max.	Unit	Conditions	
V_{LL} Maximum Current in B-Mode	I_{LL5}	—	26	60	μA	DCLKEN = 0 $f_{CLK} = 0$ MHz, in B-Mode	
V_{DD} Maximum Current in B-Mode	I_{DD5}	—	1.4	1.6	mA	TX one-channel output, no loads.	
V_{GP} Maximum Current in B-Mode	I_{GP5}	—	3.4	6	mA	The continuous values are calculated from the measured burst-mode 5 MHz cases. I_{NN25} and I_{PP25} are only in 7-Level Mode.	
V_{GN} Maximum Current in B-Mode	I_{GN5}	-16	-12.9	—	mA		
V_{PP0} Current in B-Mode	I_{PP05}	—	102	115	mA		
V_{NN0} Current in B-Mode	I_{NN05}	-105	-96	—	mA		
V_{PP1} Current in B-Mode	I_{PP15}	—	85	95	mA		
V_{NN1} Current in B-Mode	I_{NN15}	-95	-84	—	mA		
V_{PP2} Current in B-Mode	I_{PP25}	—	94	105	mA		
V_{NN} Current in B-Mode	I_{NN25}	-100	-91	—	mA		
V_{GP} Current in CW-Mode	I_{GPCW}	—	1.5	2	mA		TX one-channel output 5 MHz, continuous, no loads. $V_{PP1}/V_{NN1} = \pm 5V$ in CW-Mode. SLB = 0, SLA = 1, Note 1
V_{GN} Current in CW-Mode	I_{GNCW}	-4.4	-4	—	mA		
V_{PP1} Current in CW-Mode	I_{PP1CW}	—	24.4	26	mA		
V_{NN1} Current in CW-Mode	I_{NN1CW}	-26	-23.5	—	mA		
TX Output P-Channel MOSFET on V_{PP0}, V_{PP2}							
On-Resistance	R_{ON_P0}	—	13	16	Ω	$I_{SD} = 100$ mA	
Peak Output Current	I_{OUT_P0}	0.9	1.1	—	A	$V_{PP0} = 25V$, $R_L = 1.0\Omega$ to GND, Note 1	
		1.7	2.02	—	A	$V_{PP0} = 80V$, $R_L = 1.0\Omega$ to GND, Note 1	
On-Resistance	R_{ON_P2}	—	12.1	14	Ω	$I_{SD} = 100$ mA	
Peak Output Current	I_{OUT_P2}	1.2	1.4	—	A	$V_{PP2} = 25V$, $R_L = 1.0\Omega$ to GND, Note 1	
		1.6	2.0	—	A	$V_{PP2} = 60V$, $R_L = 1.0\Omega$ to GND, Note 1	

Note 1: Characterized only; not 100% tested in production.

2: Design guidance only.

HV7322

ELECTRICAL CHARACTERISTICS (CONTINUED)

Electrical specifications: $V_{LL} = +2.5V$, $V_{DD} = +5.0V$, $V_{PP0} = +80V$, $V_{NN0} = -80V$, $V_{PP1,2} = +60V$, $V_{NN1,2} = -60V$, $V_{GP} = +10V$, $V_{GN} = -10V$, $V_{SUB} = 0V$, $MODE = 0$, $OEN = REN = 1$, $T_A = 25^\circ C$.

Parameter	Sym.	Min.	Typ.	Max.	Unit	Conditions
TX Output P-Channel MOSFET on V_{PP1}						
Peak Output Current $IM<1:0> = 00$	I_{OUT_P1} $CWEN = 0$	0.3	0.39	—	A	$V_{PP1} = 25V$, $R_L = 1.0\Omega$ to GND 20 ns pulse width at the duty cycle. $D\% = 0.1\%$, Note 1
Peak Output Current $IM<1:0> = 01$		0.6	0.76	—		
Peak Output Current $IM<1:0> = 10$		0.9	0.11	—		
Peak Output Current $IM<1:0> = 11$		1.2	1.44	—		
Peak Output Current $IM<1:0> = 00$		0.35	0.5	—		$V_{PP1} = 60V$, $R_L = 1.0\Omega$ to GND 20 ns pulse width at the duty cycle. $D\% = 0.1\%$, Note 1
Peak Output Current $IM<1:0> = 01$		0.8	1.0	—		
Peak Output Current $IM<1:0> = 10$		1.15	1.5	—		
Peak Output Current $IM<1:0> = 11$		1.6	1.9	—		
On-resistance $IM<1:0> = 11$	R_{ON_P1} $CWEN = 0$	—	11.2	13	—	$I_{SD} = 100$ mA, Note 1
Peak Output Current $IM<1:0> = 00$	I_{OUT_P1} $CWEN = 1$	160	192	—	mA	$V_{PP1} = 10V$, $R_L = 1.0\Omega$ to GND 20 ns pulse width at the duty cycle. $D\% = 0.1\%$, Note 1
Peak Output Current $IM<1:0> = 01$		320	362	—		
CW On-Resistance $IM<1:0> = X0$	R_{ON_P1} $CWEN = 1$	—	41.6	47	Ω	$I_{SD} = 100$ mA, Note 1
CW On-Resistance $IM<1:0> = X1$		—	20	22		
TX Output N-Channel MOSFET on V_{NN0}, V_{NN2}						
On-Resistance	R_{ON_N0}	—	10	12	Ω	$I_{DS} = 100$ mA
Peak Output Current	I_{OUT_N0}	—	-1.3	-1.1	A	$V_{NN0} = -25V$, $R_L = 1.0\Omega$ to GND, Note 1
		—	-1.8	-1.5	A	$V_{NN0} = -80V$, $R_L = 1.0\Omega$ to GND, Note 1
On-Resistance	R_{ON_N2}	—	8.6	10	Ω	$I_{DS} = 100$ mA
Peak Output Current	I_{OUT_N2}	—	-1.5	-1.3	A	$V_{NN2} = -25V$, $R_L = 1.0\Omega$ to GND, Note 1
		—	-1.92	-1.5	A	$V_{NN2} = -60V$, $R_L = 1.0\Omega$ to GND, Note 1

Note 1: Characterized only; not 100% tested in production.

Note 2: Design guidance only.

ELECTRICAL CHARACTERISTICS (CONTINUED)

Electrical specifications: $V_{LL} = +2.5V$, $V_{DD} = +5.0V$, $V_{PP0} = +80V$, $V_{NN0} = -80V$, $V_{PP1,2} = +60V$, $V_{NN1,2} = -60V$, $V_{GP} = +10V$, $V_{GN} = -10V$, $V_{SUB} = 0V$, $MODE = 0$, $OEN = REN = 1$, $T_A = 25^\circ C$.

Parameter	Sym.	Min.	Typ.	Max.	Unit	Conditions	
TX Output N-Channel MOSFET on V_{NN1}							
Peak Output Current $IM<1:0> = 00$	I_{OUT_N1} $CWEN = 0$	—	-0.42	-0.3	A	$V_{NN1} = -25V$, $R_L = 1.0\Omega$ to GND 20 ns pulse width at the duty cycle D% = 0.1%, Note 1	
Peak Output Current $IM<1:0> = 01$		—	-0.8	-0.6			
Peak Output Current $IM<1:0> = 10$		—	-1.16	-0.9			
Peak Output Current $IM<1:0> = 11$		—	-1.51	-1.3			
Peak Output Current $IM<1:0> = 00$			—	-0.5	-0.35		$V_{NN1} = -60V$, $R_L = 1.0\Omega$ to GND 20 ns pulse width at the duty cycle D% = 0.1%, Note 1
Peak Output Current $IM<1:0> = 01$			—	-1.0	-0.7		
Peak Output Current $IM<1:0> = 10$			—	-1.5	-1.25		
Peak Output Current $IM<1:0> = 11$			—	-1.9	-1.6		
On-Resistance $IM<1:0> = 11$	R_{ON_N1} $CWEN = 0$	—	8.3	10	Ω	$I_{DS} = 100$ mA, Note 1	
Peak Output Current $IM<1:0> = X0$	I_{OUT_N1} $CWEN = 1$	—	-212	-180	mA	$V_{NN1} = -10V$, $R_L = 1.0\Omega$ to GND 20 ns pulse width at the duty cycle D% = 0.1%, Note 1	
Peak Output Current $IM<1:0> = X1$		—	-386	-340			
CW On-Resistance $IM<1:0> = X0$	R_{ON_N1} $CWEN = 1$	—	42	48	Ω	$I_{DS} = 100$ mA, Note 1	
CW On-Resistance $IM<1:0> = X1$		—	17	19			
TX Damping MOSFET on GND							
On-Resistance	R_{ON_PDMP}	—	9	14	Ω	$I_{SD} = 100$ mA, Note 1	
B-Mode Peak Output Current ⁽¹⁾	I_{OUT_PDMP}	1.15	1.57	—	A	$R_L = 1.0\Omega$ at TX to $V_{NN0} = -25V$ 20 ns pulse width at D% = 0.1%, Note 1	
		1.35	1.9	—	A	$R_L = 1.0\Omega$ at TX to $V_{NN0} = -80V$ 20 ns pulse width at D% = 0.1%, Note 1	
On-Resistance	R_{ON_NDMP}	—	7	13	Ω	$I_{DS} = 100$ mA, Note 1	
B-Mode Peak Output Current ⁽¹⁾	I_{OUT_NDMP}	—	-1.56	-1.15	A	$R_L = 1.0\Omega$ at TX to $V_{PP0} = +25V$ 20 ns pulse width at D% = 0.1%, Note 1	
		—	-2.02	-1.6	A	$R_L = 1.0\Omega$ at TX to $V_{PP0} = +80V$ 20 ns pulse width at D% = 0.1%, Note 1	

Note 1: Characterized only; not 100% tested in production.

2: Design guidance only.

HV7322

ELECTRICAL CHARACTERISTICS (CONTINUED)

Electrical specifications: $V_{LL} = +2.5V$, $V_{DD} = +5.0V$, $V_{PP0} = +80V$, $V_{NN0} = -80V$, $V_{PP1,2} = +60V$, $V_{NN1,2} = -60V$, $V_{GP} = +10V$, $V_{GN} = -10V$, $V_{SUB} = 0V$, $MODE = 0$, $OEN = REN = 1$, $T_A = 25^\circ C$.

Parameter	Sym.	Min.	Typ.	Max.	Unit	Conditions
RTZSW Auto Bleed High-Voltage Analog Switch						
RTZSW On-Resistance	R_{RTZSW}	—	152	164	Ω	$I_{RTZSW} = \pm 1.0 \text{ mA}$, Note 1
RTZSW to GND Bleed Resistors	R_{b1}	18	20	22	$k\Omega$	Note 1
RTZSW Off Withstand Voltage	V_{RTZSW}	-80	—	+80	V	$I_{RTZSW} = \pm 100 \mu A$, Note 1
TX OUTPUT Isolation Diodes and Bleed Resistor						
Diode Forward Voltage	V_F	—	1.2	1.9	V	$I_{FM} = 300 \text{ mA}$, Note 2
Forward Continuous Current	I_{FM}	—	250	—	mA	Note 2
Peak Forward Pulse Current	I_{FSM}	—	3.0	—	A	$PW = 50 \text{ ns}$, Note 2
Total Capacitance of 2-Diode	C_T	—	3.2	4	pF	At 1 MHz, 1 dBm, 0V DC, Note 2
TRSW, LVSW and RXDMP Switches						
TRSW and LVSW Switch-On Resistor	R_{TRSW}	—	13	18	Ω	$I_{TRSW} = \pm 1.0 \text{ mA}$, Note 1
TRSW Off Withstand Voltage	V_{TRSW}	-80	—	+80	V	$I_{SW} = \pm 100 \mu A$, Note 1
LVSW Off Withstand Voltage	V_{LVSW}	-5.0	—	+5.0	V	$I_{SW} = \pm 10 \mu A$, Note 1
RX to GND Protection Diode	V_F	—	1	1.2	V	$I_F = \pm 20 \text{ mA}$, Note 1
RXDMP Switch On-Resistance	R_{RXDMP}	—	14	19	Ω	$I_{SD} = \pm 1.0 \text{ mA}$, Note 1
RX0~7 Pin to GND Bleed Resistor	R_{b2}	13	20	27	$k\Omega$	Note 2
RX Pin to GND Capacitance	C_{RXG}	—	20	22	pF	1 MHz, 1 dBm, 0V DC, Note 2
Built-In Gate Drive Voltage Linear Regulators						
Output P-Channel Gate Drive Voltage Referenced to V_{PP0}	V_{PF0}	-5.2	-4.5	-4.1	V	$V_{GN} - V_{PP0} < -10V$
Output P-Channel Gate Drive Voltage Referenced to V_{PP1}	V_{PF1}	-5.2	-4.5	-4.1	V	$V_{GN} - V_{PP1} < -10V$
Output P-Channel Gate Drive Voltage Referenced to V_{PP2}	V_{PF2}	-5.2	-4.5	-4.1	V	$V_{NN0} - V_{PP2} < -10V$
Output N-Channel Gate Drive Voltage Referenced to V_{NN0}	V_{NF0}	3.6	4.4	5.2	V	$V_{GP} - V_{NN0} > 10V$

Note 1: Characterized only; not 100% tested in production.

Note 2: Design guidance only.

ELECTRICAL CHARACTERISTICS (CONTINUED)

Electrical specifications: $V_{LL} = +2.5V$, $V_{DD} = +5.0V$, $V_{PP0} = +80V$, $V_{NN0} = -80V$, $V_{PP1,2} = +60V$, $V_{NN1,2} = -60V$, $V_{GP} = +10V$, $V_{GN} = -10V$, $V_{SUB} = 0V$, $MODE = 0$, $OEN = REN = 1$, $T_A = 25^\circ C$.

Parameter	Sym.	Min.	Typ.	Max.	Unit	Conditions
Output N-Channel Gate Drive Voltage Referenced to V_{NN1}	V_{NF1}	3.6	4.4	5.2	V	$V_{GP} - V_{NN1} > 10V$
Output N-Channel Gate Drive Voltage Referenced to V_{NN2}	V_{NF2}	3.6	4.3	5.2	V	$V_{PP0} - V_{NN2} > 10V$
Output N-Channel Gate Drive Voltage Referenced to GND	V_{POS}	3.1	3.6	5.2	V	—
Output P-Channel Gate Drive Voltage Referenced to GND	V_{NEG}	-5.2	-4.3	-3.6	V	—
Logic & Clock Input Characteristics						
Input Logic Low Voltage	V_{IL}	0	—	$0.2 V_{LL}$	V	—
Input Logic High Voltage	V_{IH}	$0.8 V_{LL}$	—	V_{LL}	V	—
Input Logic Low Current	I_{IL}	-1.0	—	—	μA	Note 1
Input Logic High Current	I_{IH}	—	—	1.0	μA	Note 1
Input Capacitance	C_{IN}	—	3.0	4.0	pF	Note 2
OEN Switching On Time	t_{OEN}	—	240	300	μs	50% OEN rise to TX ready, Note 2
OEN Switching Off Time		—	0.4	—	μs	50% OEN fall to TX all output FETs on HV rails are off, Note 1
MODE Switching On Time	t_{MODE}	—	2	2.4	μs	50% Mode edge to the TX logic ready. Not including V_{PP2}/V_{NN2} decoupling capacitors recharging time, Note 2
MODE Switching Off Time		—	2	2.4	μs	
Thermal protection OTP_N & 5UVLO						
OTP_N Output Maximum Pull-Up	V_{OH}	—	—	5.25	V	—
OTP_N Output Low Maximum Voltage	V_{OL}	—	0	0.1	V	at 100 μA
		—	0.1	0.4	V	at 4.0 mA
OTP_N Output High Current	I_{OFF}	—	0.3	10	μA	0 to 125°C, at 5.25V pull-up, Note 1
Thermal Shutdown Trip Point	T_{TRIP}	126	142	158	°C	$OTP_N = 0$ when thermal shutdown occurs, Note 1
Thermal Shutdown Hysteresis	T_{HYS}	—	48	—	°C	

Note 1: Characterized only; not 100% tested in production.

2: Design guidance only.

HV7322

ELECTRICAL CHARACTERISTICS (CONTINUED)

Electrical specifications: $V_{LL} = +2.5V$, $V_{DD} = +5.0V$, $V_{PP0} = +80V$, $V_{NN0} = -80V$, $V_{PP1,2} = +60V$, $V_{NN1,2} = -60V$, $V_{GP} = +10V$, $V_{GN} = -10V$, $V_{SUB} = 0V$, $MODE = 0$, $OEN = REN = 1$, $T_A = 25^\circ C$.

Parameter	Sym.	Min.	Typ.	Max.	Unit	Conditions
V_{DD} UVLO OK Voltage	V_{DDUVON}	4.0	4.2	4.3	V	—
V_{DD} UVLO Trip Voltage	$V_{DDUVOFF}$	3.7	3.78	3.9		
V_{LL} UVLO OK Voltage	V_{LLUVON}	1.7	1.76	1.9		
V_{LL} UVLO Trip Voltage	$V_{LLUVOFF}$	1.5	1.62	1.7		
V_{POS} UVLO OK Voltage	$V_{POSUVON}$	$0.7 \times V_{POS}$	$0.8 \times V_{POS}$	$0.9 \times V_{POS}$	V	Note 1
V_{POS} UVLO Trip Voltage	$V_{POSUVOFF}$	$0.63 \times V_{POS}$	$0.73 \times V_{POS}$	$0.83 \times V_{POS}$		
V_{NEG} UVLO OK Voltage	$V_{NEGUVON}$	$0.7 \times V_{NEG}$	$0.8 \times V_{NEG}$	$0.9 \times V_{NEG}$		
V_{NEG} UVLO Trip Voltage	$V_{NEGU-VOFF}$	$0.63 \times V_{NEG}$	$0.73 \times V_{NEG}$	$0.83 \times V_{NEG}$		
V_{PF0} UVLO OK Voltage	$V_{PF0UVON}$	$0.7 \times V_{PF0}$	$0.8 \times V_{PF0}$	$0.9 \times V_{PF0}$	V	Note 1
V_{PF0} UVLO Trip Voltage	$V_{PF0UVOFF}$	$0.63 \times V_{PF0}$	$0.73 \times V_{PF0}$	$0.83 \times V_{PF0}$		
V_{NF0} UVLO OK Voltage	$V_{NF0UVON}$	$0.7 \times V_{NF0}$	$0.8 \times V_{NF0}$	$0.9 \times V_{NF0}$		
V_{NF0} UVLO Trip Voltage	$V_{NF0UVOFF}$	$0.63 \times V_{NF0}$	$0.73 \times V_{NF0}$	$0.83 \times V_{NF0}$		
V_{PF1} UVLO OK Voltage	$V_{PF1UVON}$	$0.7 \times V_{PF1}$	$0.8 \times V_{PF1}$	$0.9 \times V_{PF1}$	V	Note 1
V_{PF1} UVLO Trip Voltage	$V_{PF1UVOFF}$	$0.63 \times V_{PF1}$	$0.73 \times V_{PF1}$	$0.83 \times V_{PF1}$		
V_{NF1} UVLO OK Voltage	$V_{NF1UVON}$	$0.7 \times V_{NF1}$	$0.8 \times V_{NF1}$	$0.9 \times V_{NF1}$		
V_{NF1} UVLO Trip Voltage	$V_{NF1UVOFF}$	$0.63 \times V_{NF1}$	$0.73 \times V_{NF1}$	$0.83 \times V_{NF1}$		
V_{PF2} UVLO OK Voltage	$V_{PF2UVON}$	$0.7 \times V_{PF2}$	$0.8 \times V_{PF2}$	$0.9 \times V_{PF2}$	V	Note 1
V_{PF2} UVLO Trip Voltage	$V_{PF2UVOFF}$	$0.63 \times V_{PF2}$	$0.73 \times V_{PF2}$	$0.83 \times V_{PF2}$		
V_{NF2} UVLO OK Voltage	$V_{NF2UVON}$	$0.7 \times V_{NF2}$	$0.8 \times V_{NF2}$	$0.9 \times V_{NF2}$		
V_{NF2} UVLO Trip Voltage	$V_{NF2UVOFF}$	$0.63 \times V_{NF2}$	$0.73 \times V_{NF2}$	$0.83 \times V_{NF2}$		

Note 1: Characterized only; not 100% tested in production.

2: Design guidance only.

ELECTRICAL CHARACTERISTICS (CONTINUED)

Electrical specifications: $V_{LL} = +2.5V$, $V_{DD} = +5.0V$, $V_{PP0} = +80V$, $V_{NN0} = -80V$, $V_{PP1,2} = +60V$, $V_{NN1,2} = -60V$, $V_{GP} = +10V$, $V_{GN} = -10V$, $V_{SUB} = 0V$, $MODE = 0$, $OEN = REN = 1$, $T_A = 25^{\circ}C$.

Parameter	Sym.	Min.	Typ.	Max.	Unit	Conditions
TX Output & Switch Timing Characteristics						
Second Harmonic Distortion	HD2	—	-40	—	dB	HD2, test conditions: 2-waveform of 0° and 180° single-cycle 5.0 MHz, $V_{PP0}/V_{NN0} = \pm 60V$ launched in 100 μs apart, with load of 220 pF//1 k Ω . All these t_r , t_f and t_d values are also at $V_{PP0}/V_{NN0} = \pm 60V$, 220 pF//1 k Ω , Note 1
Output Rise Time from 0V to V_{PP0}	t_{r1}	—	14	16.5	ns	
Output Fall Time from 0V to V_{NN0}	t_{f1}	—	13	16.5		
Output Rise Time from V_{NN0} to V_{PP0}	t_{r2}	—	18	21		
Output Fall Time from V_{PP0} to V_{NN0}	t_{f2}	—	18	21		
Output Rise Time from V_{NN0} to 0V	t_{r3}	—	13.5	17		
Output Fall Time from V_{PP0} to 0V	t_{f3}	—	13.5	17		
Propagation Delay Rise Time 1	t_{dr1}	—	18	21	ns	
Propagation Delay Fall Time 1	t_{df1}	—	18	21		
Propagation Delay Rise Time 2	t_{dr2}	—	19	21.5		
Propagation Delay Fall Time 2	t_{df2}	—	19	21.5		
Propagation Delay Rise Time 3	t_{dr3}	—	18	21		
Propagation Delay Fall Time 3	t_{df3}	—	18	21		

Note 1: Characterized only; not 100% tested in production.

2: Design guidance only.

HV7322

ELECTRICAL CHARACTERISTICS (CONTINUED)

Electrical specifications: $V_{LL} = +2.5V$, $V_{DD} = +5.0V$, $V_{PP0} = +80V$, $V_{NN0} = -80V$, $V_{PP1,2} = +60V$, $V_{NN1,2} = -60V$, $V_{GP} = +10V$, $V_{GN} = -10V$, $V_{SUB} = 0V$, $MODE = 0$, $OEN = REN = 1$, $T_A = 25^\circ C$.

Parameter	Sym.	Min.	Typ.	Max.	Unit	Conditions
Output Rise Time from 0V to V_{PP1}	t_{r4}	—	10.5	13	ns	All the tr, tf, td values, at $V_{PP1}/V_{NN1} = \pm 60V$, 220 pF//1k Ω Note 1
Output Fall Time from 0V to V_{NN1}	t_{f4}	—	9.5	13		
Output Rise Time from V_{NN1} to V_{PP1}	t_{r5}	—	16	20		
Output Fall Time from V_{PP1} to V_{NN1}	t_{f5}	—	15.5	20		
Output Rise Time from V_{NN1} to 0V	t_{r6}	—	10.5	15		
Output Fall Time from V_{PP1} to 0V	t_{f6}	—	11	15		
Propagation Delay Rise Time 4	t_{dr4}	—	19	21	ns	
Propagation Delay Fall Time 4	t_{df4}	—	18.5	21		
Propagation Delay Rise Time 5	t_{dr5}	—	19.5	21.5		
Propagation Delay Fall Time 5	t_{df5}	—	19.5	21.5		
Propagation Delay Rise Time 6	t_{dr6}	—	18.5	21		
Propagation Delay Fall Time 6	t_{df6}	—	18.5	21		

- Note 1:** Characterized only; not 100% tested in production.
Note 2: Design guidance only.

ELECTRICAL CHARACTERISTICS (CONTINUED)

Electrical specifications: $V_{LL} = +2.5V$, $V_{DD} = +5.0V$, $V_{PP0} = +80V$, $V_{NN0} = -80V$, $V_{PP1,2} = +60V$, $V_{NN1,2} = -60V$, $V_{GP} = +10V$, $V_{GN} = -10V$, $V_{SUB} = 0V$, $MODE = 0$, $OEN = REN = 1$, $T_A = 25^\circ C$.

Parameter	Sym.	Min.	Typ.	Max.	Unit	Conditions
Output Rise Time from 0V to V_{PP2}	t_{r7}	—	11	13.5	ns	All the t_r , t_f , t_d values, at $V_{PP2}/V_{NN2} = \pm 60V$, 220 pF//1k Ω Note 1
Output Fall Time from 0V to V_{NN2}	t_{f7}	—	10	13.5		
Output Rise Time from V_{NN2} to V_{PP2}	t_{r8}	—	16	21		
Output Fall Time from V_{PP2} to V_{NN2}	t_{f8}	—	16	21		
Output Rise Time from V_{NN2} to 0V	t_{r9}	—	10.5	15		
Output Fall Time from V_{PP2} to 0V	t_{f9}	—	11	15		
Propagation Delay Rise Time 7	t_{dr7}	—	19	21.5	ns	P to N, channel-to-channel matching in IC, Note 1
Propagation Delay Fall Time 7	t_{df7}	—	18.5	21.5		
Propagation Delay Rise Time 8	t_{dr8}	—	19.5	22		
Propagation Delay Fall Time 8	t_{df8}	—	19.5	22		
Propagation Delay Rise Time 9	t_{dr9}	—	18.5	20.5		
Propagation Delay Fall Time 9	t_{df9}	—	18.5	20.5		
Delay Time Matching with SLB = 0, SLA = 0	Δt_{d1}	—	0.5	2.5	ns	P to N, channel-to-channel matching in IC, Note 1
Delay Time Matching with SLB = 0, SLA = 1	Δt_{d2}	—	0.5	2.5	ns	
Delay Time Matching with SLB = 1, SLA = 0	Δt_{d3}	—	0.5	2.5	ns	

Note 1: Characterized only; not 100% tested in production.

2: Design guidance only.

HV7322

ELECTRICAL CHARACTERISTICS (CONTINUED)

Electrical specifications: $V_{LL} = +2.5V$, $V_{DD} = +5.0V$, $V_{PP0} = +80V$, $V_{NN0} = -80V$, $V_{PP1,2} = +60V$, $V_{NN1,2} = -60V$, $V_{GP} = +10V$, $V_{GN} = -10V$, $V_{SUB} = 0V$, $MODE = 0$, $OEN = REN = 1$, $T_A = 25^\circ C$.						
Parameter	Sym.	Min.	Typ.	Max.	Unit	Conditions
RTZSW Switch On Delay Time	t_{RTZSW}	95	106	120	ns	Note 1
RTZSW Switch Off Delay Time		95	108	120	ns	
RX Damp Switch On Delay Time	t_{RXDMP}	6	17	28	ns	
RX Damp Switch Off Delay Time		80	91	100	ns	
TRSW and LVSW Switch Off Delay Time	t_{LVSW}	135	160	185	ns	
TRSW and LVSW Switch On Delay Time TLV<1:0> = 00		485	515	545	ns	
TRSW and LVSW Switch On Delay Time TLV<1:0> = 01		560	597	635	ns	
TRSW and LVSW Switch On Delay Time TLV<1:0> = 10		635	680	735	ns	
TRSW and LVSW Switch On Delay Time TLV<1:0> = 11		715	763	815	ns	
Output Maximum Frequency Range	f_{OUT}	—	20	28	MHz	100 Ω resistor load, Note 1
Clock Time Low	t_{CLK_LO}	2.0	—	100	ns	CLK input must have at least one pulse POS and NEG inputs are not zero. Inputs must be returned to zero before stopping the clock, Note 2
Clock Time High	t_{CLK_HI}	2.0	—	100		
Clock Recognition Time	t_{CLK_REC}	2.0	—	—		
Clock Release Time	t_{CLK_RLS}	200	430	600		
LVC MOS25 Single-Ended Clock Input, DCLKEN = 0						
Clock Input Frequency Range	F_{CLK}	10	160	180	MHz	Note 1
Logic Input High Voltage	V_{IH}	$0.8 V_{LL}$	—	V_{LL}	V	—
Logic Input Low Voltage	V_{IL}	0	—	$0.2 V_{LL}$	V	—
Clock Input Rise/fall Time	t_{rf}	—	0.5	5.0	ns	Note 2
Set-up Time POS/NEG to CLK	t_{su}	2.0	—	—	ns	Note 2
Hold Time CLK to POS/NEG	t_H	1.0	—	—	ns	Note 2
Differential Clock Input, DCLKEN = 1, with Differential Clock driver's $V_{CC} = 1.8V$						

Note 1: Characterized only; not 100% tested in production.

2: Design guidance only.

ELECTRICAL CHARACTERISTICS (CONTINUED)

Electrical specifications: $V_{LL} = +2.5V$, $V_{DD} = +5.0V$, $V_{PP0} = +80V$, $V_{NN0} = -80V$, $V_{PP1,2} = +60V$, $V_{NN1,2} = -60V$, $V_{GP} = +10V$, $V_{GN} = -10V$, $V_{SUB} = 0V$, $MODE = 0$, $OEN = REN = 1$, $T_A = 25^\circ C$.

Parameter	Sym.	Min.	Typ.	Max.	Unit	Conditions
Clock Input Frequency Range	F_{CLK}	10	200	220	MHz	Note 1
Differential Sensitivity	V_{SNS}	300	400	—	mVp-p	at 160 MHz, Note 2
AC Common-Mode Voltage	V_{CMAC}	—	1.25	—	V	AC coupled, Note 2
DC Common-Mode Voltage	V_{CMDC}	1.0	—	1.4	V	DC coupled, Note 2
CLK Input Offset Voltage	V_{OFFSET}	—	37	—	mV	Note 2
CLK Input Differential Resistance	R_{IN_CLK}	—	21	—	k Ω	Note 2
CLK Input Common Resistance		—	4.8	—	k Ω	Note 2
CLK Input Capacitance	C_{IN_CLK}	—	4.0	—	pF	Note 2
TRSW & RXDMP Switching Spike Voltages						
TRSW Turn On Spike Voltage at TX Pins	V_{TRSW_ON}	—	130	150	mVp-p	TX _(ch) 50 Ω load to GND, Note 2
TRSW Turn Off Spike Voltage at TX Pins	V_{TRSW_OFF}	—	130	150		
RXDMP Turn On Spike Voltage at RX Pins	V_{RXDMP_ON}	—	130	150		RX _(ch) 300 Ω load to GND, Note 2
RXDMP Turn Off Spike Voltage at RX Pins	V_{RXDMP_OFF}	—	130	150		

Note 1: Characterized only; not 100% tested in production.

2: Design guidance only.

TEMPERATURE CHARACTERISTICS

Unless otherwise indicated, all parameters apply with $V_{LL} = +2.5V$, $V_{DD} = +5.0V$, $V_{PP0} = +80V$, $V_{NN0} = -80V$, $V_{PP1,2} = +60V$, $V_{NN1,2} = -60V$, $V_{GP} = +10V$, $V_{GN} = -10V$, $V_{SUB} = 0V$, $OEN = REN = 1$

Parameters	Sym.	Min.	Typ.	Max.	Units	Conditions
Temperature Ranges						
Operating Ambient Temperature Range	T_A	0	—	85	$^\circ C$	—
Storage Temperature Range	T_S	-55	—	150	$^\circ C$	—
Maximum Junction Temperature	T_J	—	—	130	$^\circ C$	—
Thermal Package Resistances (206L 12 mm x 12 mm TFBGA)						
Junction-to-Ambient Thermal Resistance	θ_{JA}	—	16	—	$^\circ C/W$	—
Junction-to-Board Thermal Resistance	θ_{JB}	—	3.5	—	$^\circ C/W$	—
Junction-to-Case Top Thermal Resistance	θ_{JC}	—	2.0	—	$^\circ C/W$	—

TABLE 1-1: INPUT OUTPUT LOGIC TRUTH TABLE

Function	OTP _N	Logic Inputs (No-Re-timing)							Tx Output	RTZSW & TRSW	LVSW	RXDMP
		OEN	MODE	CWEN	SLB	SLA	NEG	POS				
7-Level Mode ⁽¹⁾	1	1	0	0	0	0	0	0	RTZ	OFF	OFF	ON
	1	1	0	0	0	0	0	1	V _{PP0}	OFF	OFF	ON
	1	1	0	0	0	0	1	0	V _{NN0}	OFF	OFF	ON
	1	1	0	0	0	0	1	1	RTZ+	ON	ON	OFF
	1	1	0	0	0	1	0	0	RTZ	OFF	OFF	ON
	1	1	0	0	0	1	0	1	V _{PP1}	OFF	OFF	ON
	1	1	0	0	0	1	1	0	V _{NN1}	OFF	OFF	ON
	1	1	0	0	0	1	1	1	Hi-Z	OFF	OFF	ON
	1	1	0	0	1	0	0	0	RTZ	OFF	OFF	ON
	1	1	0	0	1	0	0	1	V _{PP2}	OFF	OFF	ON
	1	1	0	0	1	0	1	0	V _{NN2}	OFF	OFF	ON
	1	1	0	0	1	0	1	1	RTZ+	ON	ON	OFF
	1	1	0	0	1	1	0	0	RTZ	OFF	OFF	ON
	1	1	0	0	1	1	0	1	V _{PP2}	OFF	OFF	ON
	1	1	0	0	1	1	1	0	V _{NN2}	OFF	OFF	ON
1	1	0	0	1	1	1	1	RTZ+	ON	ON	OFF	
True 5-Level Mode ⁽¹⁾	1	1	1	0	0	0	0	0	RTZ	OFF	OFF	ON
	1	1	1	0	0	0	0	1	V _{PP0}	OFF	OFF	ON
	1	1	1	0	0	0	1	0	V _{NN0}	OFF	OFF	ON
	1	1	1	0	0	0	1	1	RTZ+	ON	ON	OFF
	1	1	1	0	0	1	0	0	RTZ	OFF	OFF	ON
	1	1	1	0	0	1	0	1	V _{PP1}	OFF	OFF	ON
	1	1	1	0	0	1	1	0	V _{NN1}	OFF	OFF	ON
	1	1	1	0	0	1	1	1	Hi-Z	OFF	OFF	ON
	1	1	1	0	1	0	0	0	Hi-Z	OFF	OFF	ON
	1	1	1	0	1	0	1	0				
	1	1	1	0	1	0	1	1				
	1	1	1	0	1	1	0	0				
	1	1	1	0	1	1	1	1				
	1	1	1	0	1	1	1	0				
1	1	1	0	1	1	1	1					
Not Recommended	1	1	x	1	0	0	0	0	RTZ	OFF	OFF	ON
	1	1	x	1	0	0	0	1	V _{PP0}	OFF	OFF	ON
	1	1	x	1	0	0	1	0	V _{NN0}	OFF	OFF	ON
	1	1	x	1	0	0	1	1	RTZ+	ON	ON	OFF

- Note 1:** In B-Mode, the low-duty cycle must be used, due to the IC power dissipation limit.
- Note 2:** In CW-Mode, the MOSFET transistors of V_{PP1}/V_{NN1} voltage must be ≤±8V. Nothing other than SLB = 0 and SLA = 1 logic input status listed in above table should be used, due to the power dissipation limit.
- Note 3:** When the TX output is in RTZ+ state, the channel is in receiving mode (RTZ+).
- Note 4:** When the TX output is in Hi-Z state, all output MOSFET transistors are OFF.
- Note 5:** In the Re-Timing mode, SLA, SLB, NEG and POS inputs are latched-in at CLKP rising edge. The single-ended clock or the CLKP and CLKN are crossing points if the re-timing clock inputs are in differential configuration.

TABLE 1-1: INPUT OUTPUT LOGIC TRUTH TABLE (CONTINUED)

Function	OTP _N	Logic Inputs (No-Re-timing)							Tx Output	RTZSW & TRSW	LVSW	RXDMP
		OEN	MODE	CWEN	SLB	SLA	NEG	POS				
CW-Mode ⁽²⁾	1	1	x	1	0	1	0	0	RTZ	OFF	OFF	ON
	1	1	x	1	0	1	0	1	V _{PP1}	OFF	OFF	ON
	1	1	x	1	0	1	1	0	V _{NN1}	OFF	OFF	ON
	1	1	x	1	0	1	1	1	Hi-Z	OFF	OFF	ON
Not Recommended	1	1	x	1	1	0	0	0	RTZ	OFF	OFF	ON
	1	1	x	1	1	0	0	1	V _{PP2}	OFF	OFF	ON
	1	1	x	1	1	0	1	0	V _{NN2}	OFF	OFF	ON
	1	1	x	1	1	0	1	1	RTZ+	ON	ON	OFF
	1	1	x	1	1	1	0	0	RTZ	OFF	OFF	ON
	1	1	x	1	1	1	0	1	V _{PP2}	OFF	OFF	ON
	1	1	x	1	1	1	1	0	V _{NN2}	OFF	OFF	ON
1	1	x	1	1	1	1	1	RTZ+	ON	ON	OFF	
Device Disabled	x	0	x	x	x	x	x	x	Hi-Z	OFF	OFF	ON
Thermal Protection Activated	0	x	x	x	x	x	x	x	Hi-Z	OFF	OFF	ON

- Note 1:** In B-Mode, the low-duty cycle must be used, due to the IC power dissipation limit.
- 2:** In CW-Mode, the MOSFET transistors of V_{PP1}/V_{NN1} voltage must be $\leq \pm 8V$. Nothing other than SLB = 0 and SLA = 1 logic input status listed in above table should be used, due to the power dissipation limit.
- 3:** When the TX output is in RTZ+ state, the channel is in receiving mode (RTZ+).
- 4:** When the TX output is in Hi-Z state, all output MOSFET transistors are OFF.
- 5:** In the Re-Timing mode, SLA, SLB, NEG and POS inputs are latched-in at CLKP rising edge. The single-ended clock or the CLKP and CLKN are crossing points if the re-timing clock inputs are in differential configuration.

HV7322

1.1 Typical Timing Diagrams

Figure 1-1 displays the logic inputs of the TX output timing-delay and the TX high-voltage pulses output slew-rates timing parameters of the HV7322 device.

Figure 1-2 displays the logic inputs of the RTZSW, TRSW and RXDMP switches timing-delay parameters of the HV7322 device.

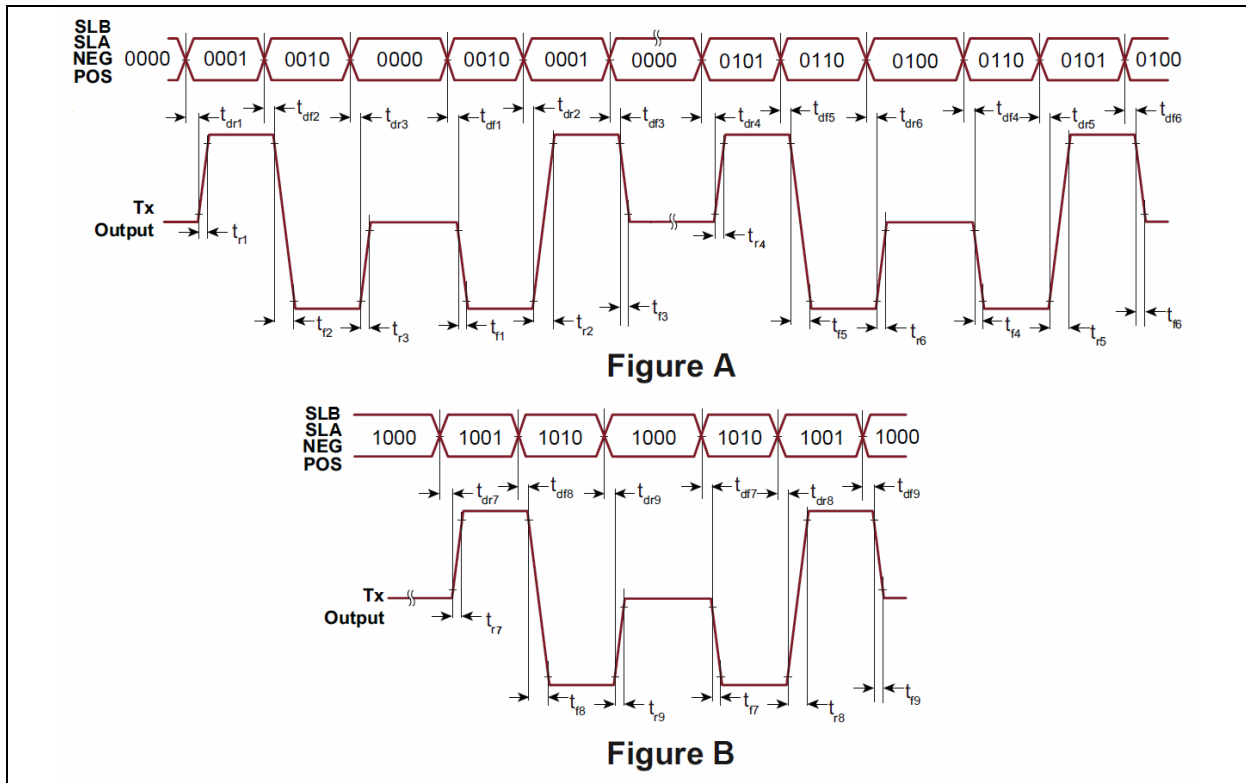


FIGURE 1-1: Logic Input and TX Output Timing Diagram.

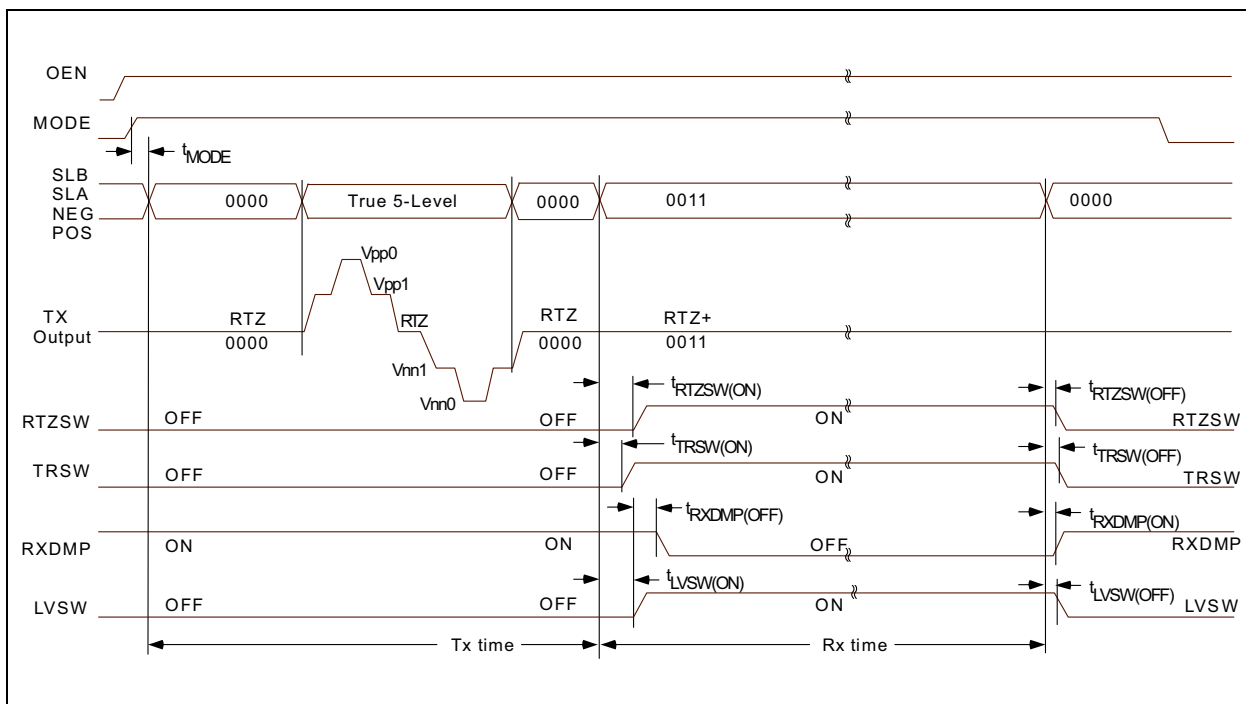


FIGURE 1-2: True 5-Level TX and Switches Timing Diagram (CWEN = 0).

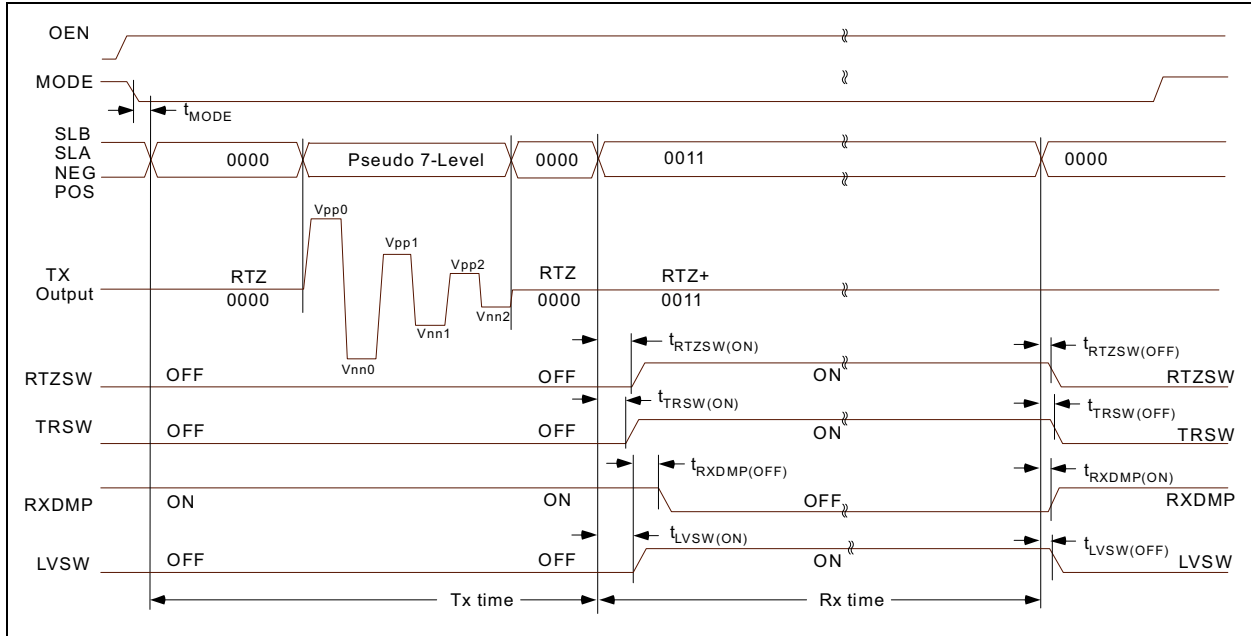


FIGURE 1-3: 7-Level TX and Switches Timing Diagram (CWEN = 0).

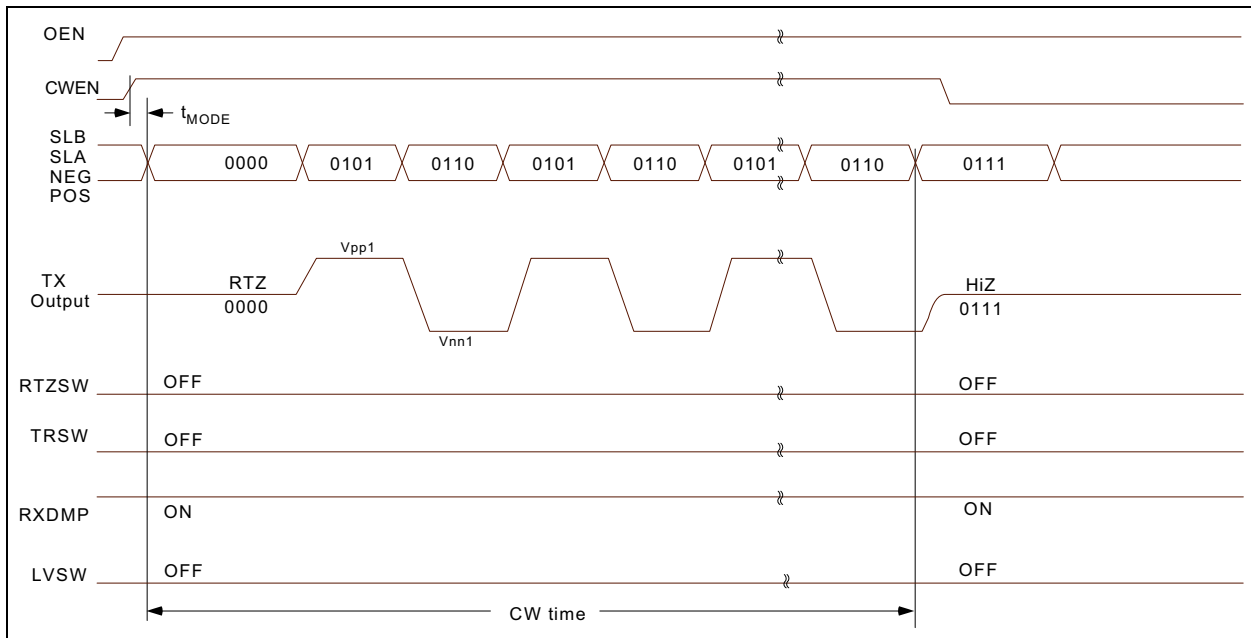


FIGURE 1-4: CW TX Waveform Timing Diagram (CWEN = 1).

2.0 TYPICAL PERFORMANCE CURVES

Note: The graphs and tables provided following this note are a statistical summary based on a limited number of samples and are provided for informational purposes only. The performance characteristics listed herein are not tested or guaranteed. In some graphs or tables, the data presented may be outside the specified operating range (e.g., outside specified power supply range) and therefore outside the warranted range.

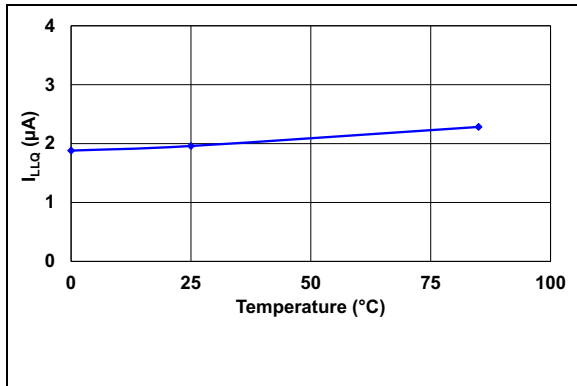


FIGURE 2-1: I_{LLQ} vs. Temperature.

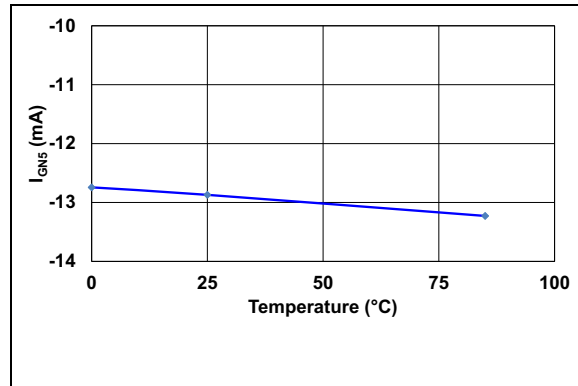


FIGURE 2-4: I_{GN5} vs. Temperature.

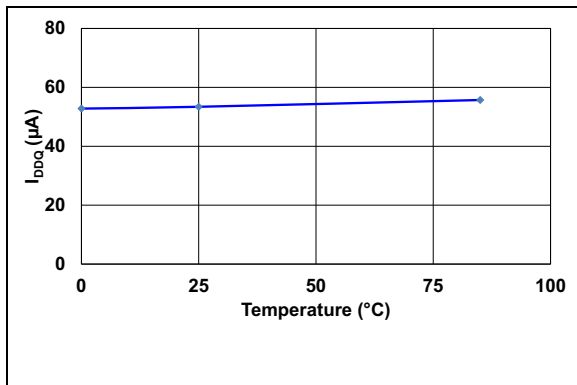


FIGURE 2-2: I_{DDQ} vs. Temperature.

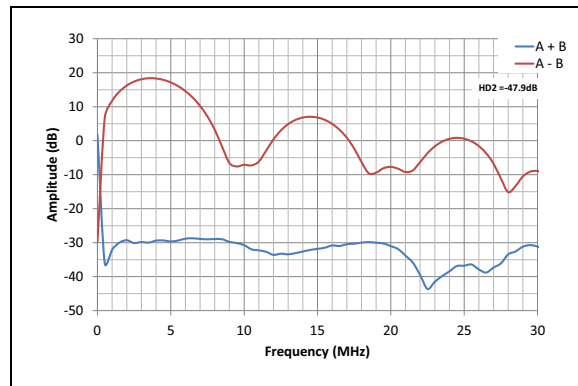


FIGURE 2-5: TX Output Pulse Cancellation FFT, using V_{NN0} and V_{PP0} , 1-Cycle 5 MHz with 220 pF/1 k Ω Load.

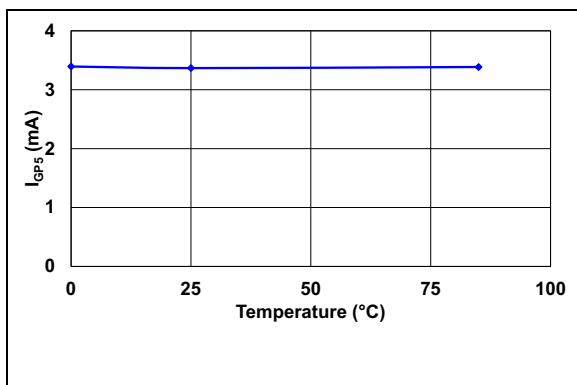


FIGURE 2-3: I_{GP5} vs. Temperature.

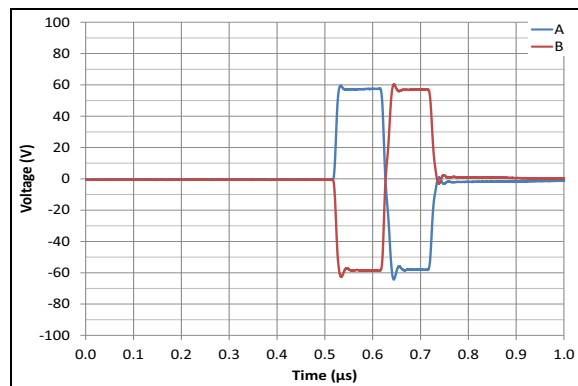


FIGURE 2-6: TX Output Pulse Cancellation, using V_{NN0} and V_{PP0} , 1-Cycle 5 MHz with 220 pF/1 k Ω Load.

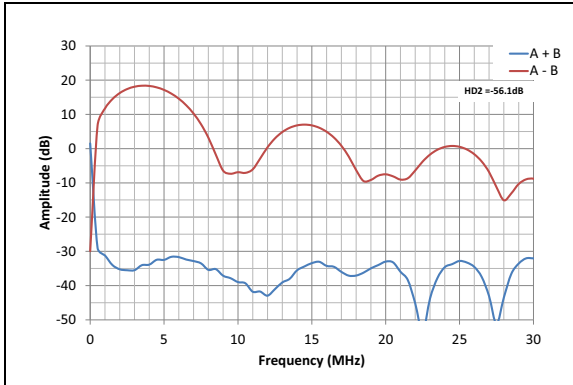


FIGURE 2-7: TX Output Pulse Cancellation FFT, using V_{NN1} and V_{PP1} , 1-Cycle 5 MHz with 220 pF//1 k Ω Load.

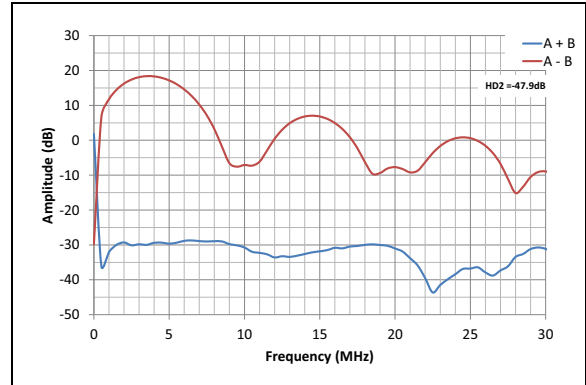


FIGURE 2-9: TX Output Pulse Cancellation FFT, using V_{NN2} and V_{PP2} , 1-Cycle 5 MHz with 220 pF//1 k Ω Load.

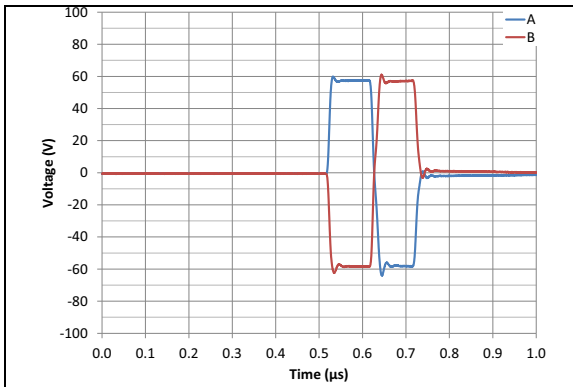


FIGURE 2-8: TX Output Pulse Cancellation, using V_{NN1} and V_{PP1} , 1-Cycle 5 MHz with 220 pF//1 k Ω Load.

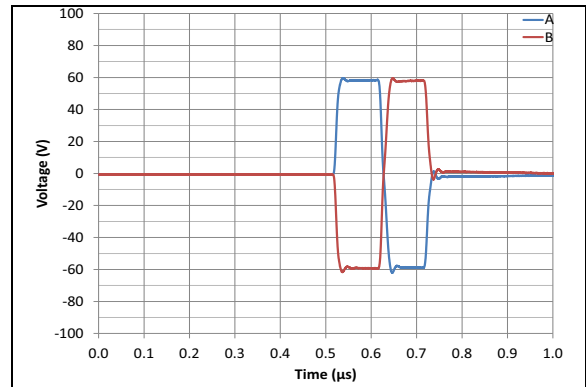


FIGURE 2-10: TX Output Pulse Cancellation, using V_{NN2} and V_{PP2} , 1-Cycle 5 MHz with 220 pF//1 k Ω Load.

HV7322

NOTES:

3.0 PIN DESCRIPTIONS

Table 3-1 lists the descriptions of the pins.

TABLE 3-1: PIN FUNCTION TABLE

Pin	Symbol	Description
A4, B2, D2, F2, N2, R2, U2, V4	SLA<0:7>	Selects V_{PP0}/V_{NN0} or V_{PP1}/V_{NN1} high-voltage rails. See Table 1-1.
A5, C2, E2, G2, M2, P2, T2, V5	SLB<0:7>	Selects V_{PP2}/V_{NN2} high-voltage rails. See Table 1-1.
A3, C1, E1, G1, M1, P1, T1, V3	NEG<0:7>	Turns ON and OFF the corresponding output N-channel MOSFET. See Table 1-1.
A2, B1, D1, F1, N1, R1, U1, V2	POS<0:7>	Turns ON and OFF the corresponding output P-channel MOSFET. See Table 1-1.
L1	DCLKEN	Logic input pin. When DCLKEN = 1, the CLKP/CLKN is set as Differential Clock type of inputs. When DCLKEN = 0, the CLKP/CLKN is set as LVCMOS single-ended clock input. Turning ON the Differential Clock function will result in the device consuming more power on V_{LL} .
H1	OEN	Output enable logic input pin. When OEN = V_{LL} , the transmitter outputs are enabled. When OEN = 0, the transmitter outputs are disabled.
U3, U4	IM<1:0>	Logic input pins for V_{PP1}/V_{NN1} output current, for all channels.
U5	CWEN	Logic input pins for TX mode control. CWEN = 0 B-Mode, CWEN = 1 CWD Mode.
B3, B4	TLV<1:0>	Logic input pins for $t_{LVS\text{W(ON)}}$ delay time selecting, for all channels.
J1, K1	CLKP CLKN	Differential/LVCMOS input clock. The inputs POS, NEG, SLA and SLB are aligned to the rising edge of the CLKP input clock signal. When the CLKP input is driven by LVCMOS, CLKN = DCLKEN = 0 permanently. When CLKP = CLKN = 0, the synchronization function is set to OFF and the internal retiming registers is bypassed. When DCLKEN = 1, CLKP/CLKN is internally self-biased and is be driven differentially through AC couples. An 100 Ω Differential line termination resistor needs to be connected between the two pins.
A1, E5, F5, G5, H4, H5, J4, J5, K4, K5, L5, M5, N5, P5, V1	GND	Ground, 0V, input logic reference is low and the return ground of V_{LL} and V_{DD} .
J2	V_{LL}	Input logic power supply pin.
H2	REN	Enable pin for the built-in voltage regulators. When REN = V_{LL} , all the regulators are ON. When REN = 0, all the regulator are OFF.
B5	OTP _N	Temperature sensor open drain output. When OTP _N = 0, the over temperature is detected. When the over temperature is detected, all outputs are in Hi-Z state, regardless of the input logic control.
A6, V6	V_{DD}	Level translator supply voltage, +5V, bypass capacitor, 2 μ F, 10V to GND per pin.
B6	V_{GN}	-10V supply pin for the linear regulator.
U6	V_{GP}	+10V supply pin for the linear regulator.
A13, B13, E12, F12, J12, K12, N12, P12, U13, V13	V_{PP0}	Positive high-voltage supply pin. V_{PP0} must be equal to or more positive than V_{PP1} or V_{PP2} .

HV7322

TABLE 3-1: PIN FUNCTION TABLE (CONTINUED)

Pin	Symbol	Description
A14, E13, P13, K13, J13, V14	C_{PF0}	Internal linear regulator output pin. Connects the 2 μ F, 10V capacitor to V_{PP0} .
A15, B15, E14, F14, J14, K14, N14, P14, U15, V15	V_{NN0}	Negative high-voltage supply pin. V_{NN0} must be equal to or more negative than V_{NN1} or V_{NN2} .
B14, F13, N13, U14	C_{NF0}	Internal linear regulator output pin. Connects the 2 μ F, 10V capacitor to V_{NN0} .
A12, B12, E11, F11, J11, K11, N11, P11, U12, V12	V_{PP1}	Positive high-voltage supply. V_{PP1} must be equal to or lower than V_{PP0} and +60V.
A11, E10, J10, K10, P10, V11	C_{PF1}	Internal V_{PF1} gate drive voltage linear regulator output bypass capacitor. Connects 2 μ F, 10V capacitor to V_{PP1} .
A10, B10, E9, F9, J9, K9, N9, P9, U10, V10	V_{NN1}	Negative high-voltage supply pin. V_{NN1} must be equal to or less negative than V_{NN0} and -60V.
B11, F10, N10, U11	C_{NF1}	Internal V_{NF1} gate drive voltage linear regulator output bypass capacitor. Connects 2 μ F, 10V capacitor to V_{NN1} .
A7, B7, E6, F6, J6, K6, N6, P6, U7, V7	V_{PP2}	Positive or negative high-voltage supply. When the device is configured as pseudo 7-level pulsers, V_{PP2} voltage should be equal to or less positive than V_{PP0} and +60V. When the device is configured as true 5-level pulsers, the V_{PP2} voltage should always be the same voltage as V_{NN1} .
A9, B9, E8, F8, J8, K8, N8, P8, U9, V9	V_{NN2}	Negative or positive high-voltage supply. When the device is configured as pseudo 7-level pulser, V_{NN2} voltage should be equal to or less negative than V_{NN0} and -60V. When the device is configured as true 5-level pulser, V_{NN2} voltage should always be the same voltage as V_{PP1} .
A8, E7, J7, P7, V8, K7	C_{PF2}	Internal V_{PF2} gate drive voltage linear regulator output bypass capacitor. Connects the 2 μ F, 10V capacitor to V_{PP2} .
B8, F7, N7, U8	C_{NF2}	Internal V_{NF2} gate drive voltage linear regulator output bypass capacitor. Connects the 2 μ F, 10V capacitor to V_{NN2} .
A16, E15, J15, K15, P15, V16	C_{NEG}	Internal V_{NEG} gate drive voltage linear regulator output bypass capacitor. Connects the 2 μ F, 10V capacitor to GND.
B16, F15, N15, U16	C_{POS}	Internal V_{POS} gate drive voltage linear regulator output bypass capacitor. Connects the 2 μ F, 10V capacitor to GND.
U18, R18, N18, L18, H18, F18, D18, B18	TX<7:0>	High-voltage pulser B-Mode and CW output of the Ch<7:0>.
T17, P17, M17, K17, J17, G17, E17, C17	RX<7:0>	T/R switch output of the Ch<7:0>.

TABLE 3-1: PIN FUNCTION TABLE (CONTINUED)

Pin	Symbol	Description
A17, A18, B17, C18, D17, E18, F17, G18, H17, L17, M18, N17, P18, R17, T18, U17, V17, V18	R_{GND}	Output power grounds.
F4, G4, L4, M4, N4	NC	Do-Not-Connect for user application.
L2	MODE	Logic input pin for mode selection. If MODE = 0, IC is in Pseudo 7-Level Mode. If MODE = 1, IC is in True 5-Level Mode.
J18, K18	$GND (V_{SUB})$	V_{SUB} pins must be connected to GND (0V).

HV7322

NOTES:

4.0 DEVICE DESCRIPTION

4.1 Overview

The HV7322 device is a 8-channel, true 5-level, pseudo 7-level ultrasound transmitter with built-in T/R switches, output protection diodes and clamp diodes.

HV7322 can provide up to $\pm 2.0A$ and the output voltage swing can be up to $\pm 80V$.

HV7322 supports both Transparent and Re-Timing mode. The retiming clock frequency can support up to 220 MHz. The retiming feature helps reduce the output jitter introduced by the driving FPGA.g

4.2 Recommended Power-Up Sequence

Powering up and down in any arbitrary sequence will not cause any damage to the device. The powering-up sequences in Table 4-1 are only recommended in order to minimize possible in-rush current. Figure 4-1 shows the timing diagram of related signals.

TABLE 4-1: POWER-UP SEQUENCE

Step	Power-Up Description
1	V_{LL} ON with logic signal low
2	V_{DD} , V_{GP} and V_{GN} ON
3	REN = Logic - 1
4	$V_{PP0,1,2}$ and $V_{NN0,1,2}$ ON
5	OEN = Logic - 1 and Logic control signal active

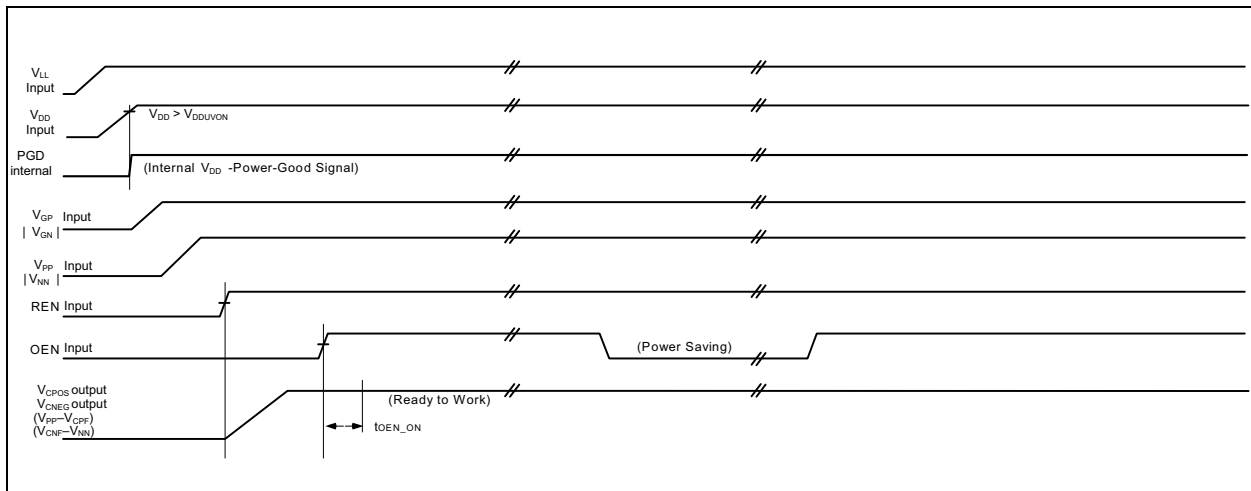


FIGURE 4-1: Power-On Events and Power-Saving Time Diagram.

4.3 Operation Modes

There are four modes of operation: Device Disabled, Output Disabled, Pulsed-Echo Mode and CW-Mode.

4.3.1 DEVICE DISABLED MODE

In the Device Disabled mode, the regulators are turned off when REN is low. The regulators are ON when REN = Logic - 1. When REN is low, OEN = X (OEN = Logic - 1 or Logic - 0), since the device is disabled. Table 4-2 shows the REN and the OEN logic inputs.

4.3.2 OUTPUT DISABLED MODE

In the Output Disabled mode, regulators are enabled. REN = Logic - 1 and OEN = Logic - 0 (Output Enable logic input) and output pins(TX0-7) are in Hi-Z state. OEN = Logic - 1 enables the outputs.

TABLE 4-2: REN & OEN LOGIC INPUTS

REN	OEN	Device	TX Outputs
0	X	Disabled	Hi-Z
1	0	Enabled	Hi-Z
1	1	Enabled	ON

4.3.3 PULSE-ECHO (B) MODE

Pulse-Echo mode (B-Mode) enables the true 5-level or pseudo 7-level waveform generation. MODE = Logic - 1 enables the true 5-level outputs. When OEN = Logic - 1, REN = Logic - 1, and CWEN = Logic - 0, the Pulse-Echo mode is enabled after the HV7322 device is powered on. The SLB/SLA/NEG/POS inputs of the desired channel determine the corresponding TX Output pulse.

4.3.4 CW-MODE

When $OEN = \text{Logic - 1}$ and $CWEN = \text{Logic - 1}$, the CW-Mode is activated. FPGA selects V_{PP1} and V_{NN1} amplitudes through SLB/SLA/NEG/POS inputs. In theory, V_{PP0} and V_{NN0} can be selected, but this is strongly discouraged, since V_{PP0} and V_{NN0} usage increases power consumption and cause excessive heating in CW-Mode.

4.4 High Temperature Protection

When over temperature is detected, $OTP_N = \text{Logic - 0}$ and all the outputs are set in Hi-Z state, regardless of OEN and the other logic control inputs. [Table 4-3](#) shows the relationship between REN , OEN inputs, OTP_N output and corresponding device status.

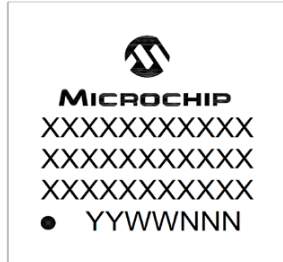
TABLE 4-3: REN, OEN, OTP_N AND DEVICE STATUS

OTP_N	EN	OEN	Device	TX Output
0	0	X	disabled	Hi-Z
0	1	X	disabled	Hi-Z
1	0	X	disabled	Hi-Z
1	1	0	enabled	Hi-Z
1	1	1	enabled	ON

5.0 PACKAGING INFORMATION

5.1 Package Marking Information

206-Lead TFBGA (12 x 12 x 1.20 mm)



Example

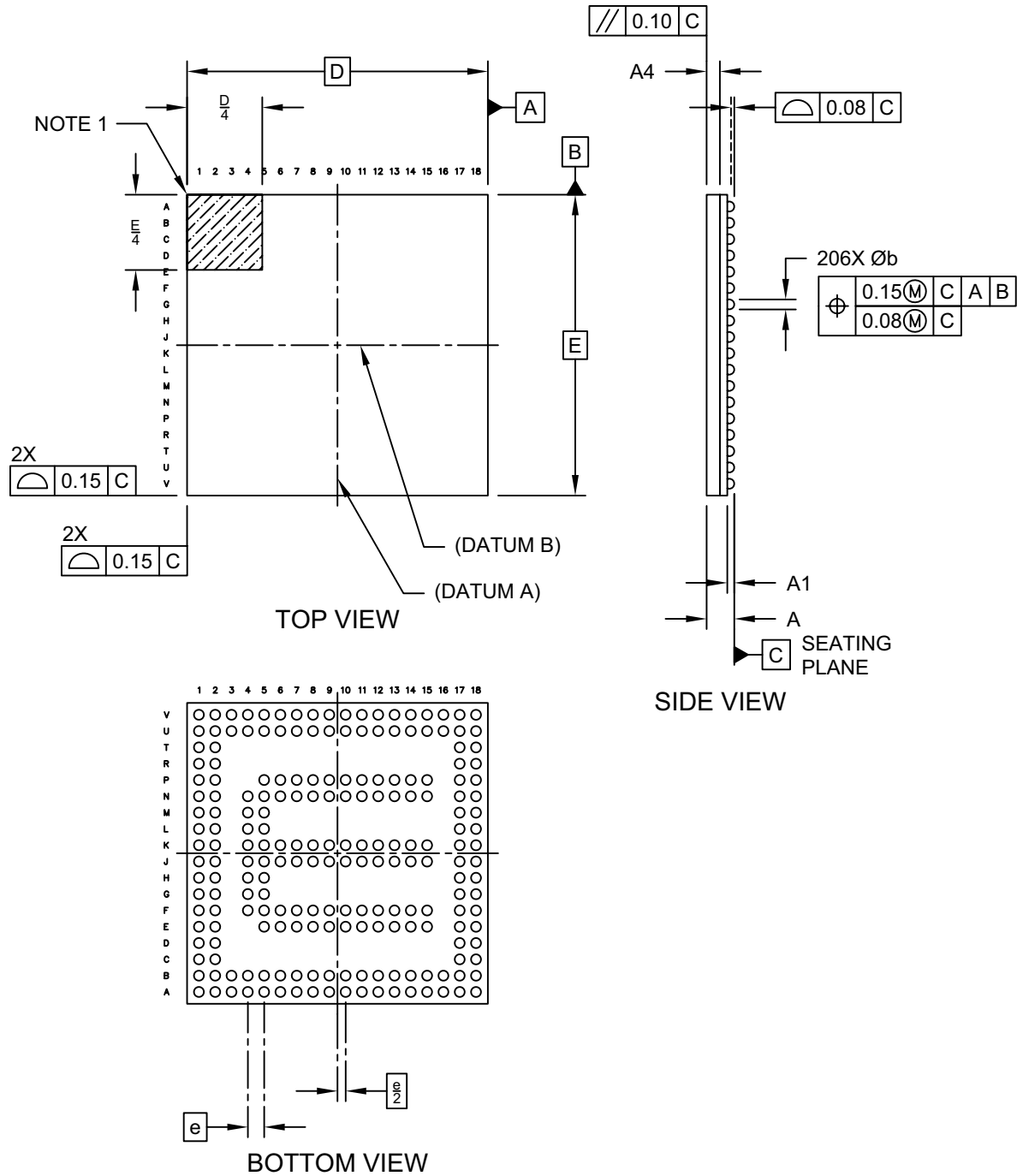


Legend: XX...X	Product Code or Customer-specific information
Y	Year code (last digit of calendar year)
YY	Year code (last 2 digits of calendar year)
WW	Week code (week of January 1 is week '01')
NNN	Alphanumeric traceability code
(e8)	Pb-free JEDEC designator for Matte Tin (Sn)
*	This package is Pb-free. The Pb-free JEDEC designator (e8) can be found on the outer packaging for this package.
Note:	In the event the full Microchip part number cannot be marked on one line, it will be carried over to the next line, thus limiting the number of available characters for customer-specific information. Package may or may not include the corporate logo.

HV7322

206-Ball Thin Fine Pitch Ball Grid Array (AGA) - 12x12x1.2 mm Body [TFBGA] Internal Flip chip

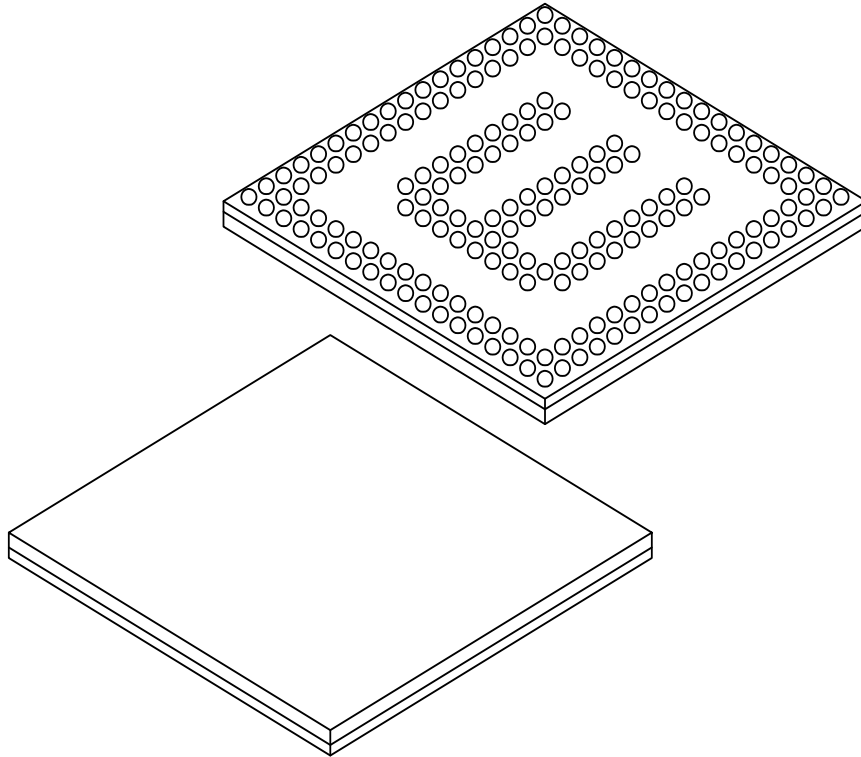
Note: For the most current package drawings, please see the Microchip Packaging Specification located at <http://www.microchip.com/packaging>



Microchip Technology Drawing C04-C04-1192 Rev. A Sheet 1 of 2

206-Ball Thin Fine Pitch Ball Grid Array (AGA) - 12x12x1.2 mm Body [TFBGA] Internal Flip chip

Note: For the most current package drawings, please see the Microchip Packaging Specification located at <http://www.microchip.com/packaging>



		Units	MILLIMETERS		
Dimension Limits			MIN	NOM	MAX
Number of Terminals	N		206		
Pitch	e		0.65 BSC		
Overall Height	A	-	-	-	1.20
Ball Height	A1	0.27	-	-	0.37
Mold Cap Thickness	A4		0.53 REF		
Overall Length	D		12.00 BSC		
Overall Width	E		12.00 BSC		
Terminal Width	b	0.35	0.40	0.45	

Notes:

1. Terminal A1 visual index feature may vary, but must be located within the hatched area.
2. Dimensioning and tolerancing per ASME Y14.5M

BSC: Basic Dimension. Theoretically exact value shown without tolerances.

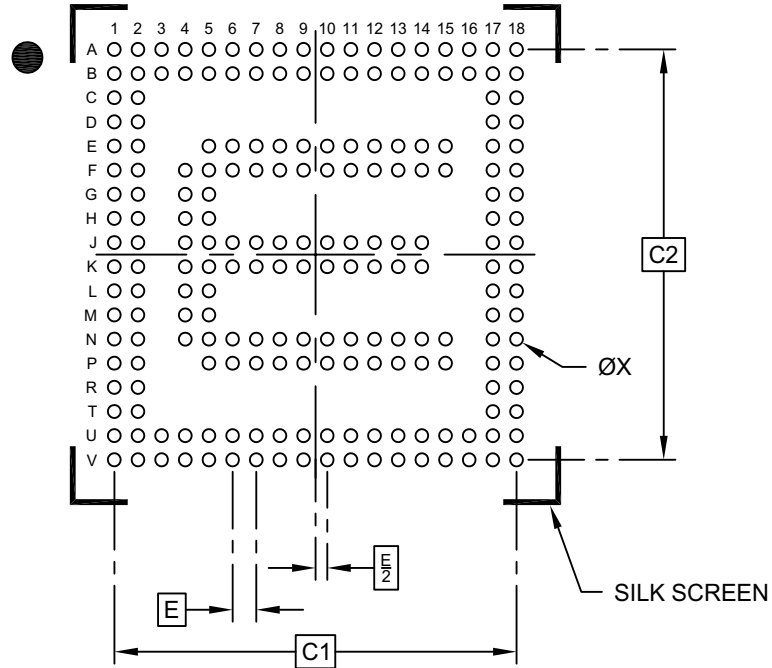
REF: Reference Dimension, usually without tolerance, for information purposes only.

Microchip Technology Drawing C04-C04-1192 Rev. A Sheet 2 of 2

HV7322

206-Ball Thin Fine Pitch Ball Grid Array (AGA) - 12x12x1.2 mm Body [TFBGA] Internal Flip chip

Note: For the most current package drawings, please see the Microchip Packaging Specification located at <http://www.microchip.com/packaging>



RECOMMENDED LAND PATTERN

Dimension Limits	Units	MILLIMETERS		
		MIN	NOM	MAX
Contact Pitch	E		0.65 BSC	
Contact Pad Spacing	C1		11.05 BSC	
Contact Pad Spacing	C2		11.05 BSC	
Contact Pad Diameter (X206)	ØX		0.35	

Notes:

1. Dimensioning and tolerancing per ASME Y14.5M
BSC: Basic Dimension. Theoretically exact value shown without tolerances.

Microchip Technology Drawing C04-3192 Rev. A

APPENDIX A: REVISION HISTORY

Revision A (December 2017)

- Original Release of this Document.

HV7322

NOTES:

PRODUCT IDENTIFICATION SYSTEM

To order or obtain information, e.g., on pricing or delivery, refer to the factory or the listed sales office.

<u>PART NO.</u>	<u>XI</u> ⁽¹⁾	-	<u>X</u>	<u>XX</u>
Device	Tape and Reel Option		Temperature Range	Package
Device: HV7322	Tape and Reel Option: Blank = Standard packaging (tube or tray)		Temperature Range: V = 0°C to +85°C (Industrial)	Package: AGA = TFBGA (Thin Fine Pitch Ball Grid Array)

Examples:

a) HV7322 -V/AGA = Standard packaging (tube or tray), Industrial Temperature, 206LD TFBGA 12x12x1.20mm Package

Note 1: Tape and Reel identifier only appears in the catalog part number description. This identifier is used for ordering purposes and is not printed on the device package. Check with your Microchip Sales Office for package availability with the Tape and Reel option.

Note the following details of the code protection feature on Microchip devices:

- Microchip products meet the specification contained in their particular Microchip Data Sheet.
- Microchip believes that its family of products is one of the most secure families of its kind on the market today, when used in the intended manner and under normal conditions.
- There are dishonest and possibly illegal methods used to breach the code protection feature. All of these methods, to our knowledge, require using the Microchip products in a manner outside the operating specifications contained in Microchip's Data Sheets. Most likely, the person doing so is engaged in theft of intellectual property.
- Microchip is willing to work with the customer who is concerned about the integrity of their code.
- Neither Microchip nor any other semiconductor manufacturer can guarantee the security of their code. Code protection does not mean that we are guaranteeing the product as “unbreakable.”

Code protection is constantly evolving. We at Microchip are committed to continuously improving the code protection features of our products. Attempts to break Microchip's code protection feature may be a violation of the Digital Millennium Copyright Act. If such acts allow unauthorized access to your software or other copyrighted work, you may have a right to sue for relief under that Act.

Information contained in this publication regarding device applications and the like is provided only for your convenience and may be superseded by updates. It is your responsibility to ensure that your application meets with your specifications. MICROCHIP MAKES NO REPRESENTATIONS OR WARRANTIES OF ANY KIND WHETHER EXPRESS OR IMPLIED, WRITTEN OR ORAL, STATUTORY OR OTHERWISE, RELATED TO THE INFORMATION, INCLUDING BUT NOT LIMITED TO ITS CONDITION, QUALITY, PERFORMANCE, MERCHANTABILITY OR FITNESS FOR PURPOSE. Microchip disclaims all liability arising from this information and its use. Use of Microchip devices in life support and/or safety applications is entirely at the buyer's risk, and the buyer agrees to defend, indemnify and hold harmless Microchip from any and all damages, claims, suits, or expenses resulting from such use. No licenses are conveyed, implicitly or otherwise, under any Microchip intellectual property rights unless otherwise stated.

Microchip received ISO/TS-16949:2009 certification for its worldwide headquarters, design and wafer fabrication facilities in Chandler and Tempe, Arizona; Gresham, Oregon and design centers in California and India. The Company's quality system processes and procedures are for its PIC® MCUs and dsPIC® DSCs, KEELOQ® code hopping devices, Serial EEPROMs, microperipherals, nonvolatile memory and analog products. In addition, Microchip's quality system for the design and manufacture of development systems is ISO 9001:2000 certified.

**QUALITY MANAGEMENT SYSTEM
CERTIFIED BY DNV
= ISO/TS 16949 =**

Trademarks

The Microchip name and logo, the Microchip logo, AnyRate, dsPIC, FlashFlex, flexPWR, Heldo, JukeBlox, KeeLoq, KeeLoq logo, Klear, LANCheck, LINK MD, MediaLB, MOST, MOST logo, MPLAB, OptoLyzer, PIC, PICSTART, PIC32 logo, RightTouch, SpyNIC, SST, SST Logo, SuperFlash and UNI/O are registered trademarks of Microchip Technology Incorporated in the U.S.A. and other countries.

ClockWorks, The Embedded Control Solutions Company, ETHERSYNCH, Hyper Speed Control, HyperLight Load, IntelliMOS, mTouch, Precision Edge, and QUIET-WIRE are registered trademarks of Microchip Technology Incorporated in the U.S.A.

Analog-for-the-Digital Age, Any Capacitor, AnyIn, AnyOut, BodyCom, chipKIT, chipKIT logo, CodeGuard, dsPICDEM, dsPICDEM.net, Dynamic Average Matching, DAM, ECAN, EtherGREEN, In-Circuit Serial Programming, ICSP, Inter-Chip Connectivity, JitterBlocker, KlearNet, KlearNet logo, MiWi, motorBench, MPASM, MPF, MPLAB Certified logo, MPLIB, MPLINK, MultiTRAK, NetDetach, Omniscient Code Generation, PICDEM, PICDEM.net, PICkit, PICtail, PureSilicon, RightTouch logo, REAL ICE, Ripple Blocker, Serial Quad I/O, SQL, SuperSwitcher, SuperSwitcher II, Total Endurance, TSHARC, USBCheck, VariSense, ViewSpan, WiperLock, Wireless DNA, and ZENA are trademarks of Microchip Technology Incorporated in the U.S.A. and other countries.

SQTP is a service mark of Microchip Technology Incorporated in the U.S.A.

Silicon Storage Technology is a registered trademark of Microchip Technology Inc. in other countries.

GestIC is a registered trademarks of Microchip Technology Germany II GmbH & Co. KG, a subsidiary of Microchip Technology Inc., in other countries.

All other trademarks mentioned herein are property of their respective companies.

© 2017, Microchip Technology Incorporated, Printed in the U.S.A., All Rights Reserved.

ISBN: 978-1-5224-2469-7



MICROCHIP

Worldwide Sales and Service

AMERICAS

Corporate Office
2355 West Chandler Blvd.
Chandler, AZ 85224-6199
Tel: 480-792-7200
Fax: 480-792-7277
Technical Support:
<http://www.microchip.com/support>
Web Address:
www.microchip.com

Atlanta

Duluth, GA
Tel: 678-957-9614
Fax: 678-957-1455

Austin, TX

Tel: 512-257-3370

Boston

Westborough, MA
Tel: 774-760-0087
Fax: 774-760-0088

Chicago

Itasca, IL
Tel: 630-285-0071
Fax: 630-285-0075

Dallas

Addison, TX
Tel: 972-818-7423
Fax: 972-818-2924

Detroit

Novi, MI
Tel: 248-848-4000

Houston, TX

Tel: 281-894-5983

Indianapolis

Noblesville, IN
Tel: 317-773-8323
Fax: 317-773-5453
Tel: 317-536-2380

Los Angeles

Mission Viejo, CA
Tel: 949-462-9523
Fax: 949-462-9608
Tel: 951-273-7800

Raleigh, NC

Tel: 919-844-7510

New York, NY

Tel: 631-435-6000

San Jose, CA

Tel: 408-735-9110
Tel: 408-436-4270

Canada - Toronto

Tel: 905-695-1980
Fax: 905-695-2078

ASIA/PACIFIC

Australia - Sydney
Tel: 61-2-9868-6733

China - Beijing
Tel: 86-10-8569-7000

China - Chengdu
Tel: 86-28-8665-5511

China - Chongqing
Tel: 86-23-8980-9588

China - Dongguan
Tel: 86-769-8702-9880

China - Guangzhou
Tel: 86-20-8755-8029

China - Hangzhou
Tel: 86-571-8792-8115

China - Hong Kong SAR
Tel: 852-2943-5100

China - Nanjing
Tel: 86-25-8473-2460

China - Qingdao
Tel: 86-532-8502-7355

China - Shanghai
Tel: 86-21-3326-8000

China - Shenyang
Tel: 86-24-2334-2829

China - Shenzhen
Tel: 86-755-8864-2200

China - Suzhou
Tel: 86-186-6233-1526

China - Wuhan
Tel: 86-27-5980-5300

China - Xian
Tel: 86-29-8833-7252

China - Xiamen
Tel: 86-592-2388138

China - Zhuhai
Tel: 86-756-3210040

ASIA/PACIFIC

India - Bangalore
Tel: 91-80-3090-4444

India - New Delhi
Tel: 91-11-4160-8631

India - Pune
Tel: 91-20-4121-0141

Japan - Osaka
Tel: 81-6-6152-7160

Japan - Tokyo
Tel: 81-3-6880-3770

Korea - Daegu
Tel: 82-53-744-4301

Korea - Seoul
Tel: 82-2-554-7200

Malaysia - Kuala Lumpur
Tel: 60-3-7651-7906

Malaysia - Penang
Tel: 60-4-227-8870

Philippines - Manila
Tel: 63-2-634-9065

Singapore
Tel: 65-6334-8870

Taiwan - Hsin Chu
Tel: 886-3-577-8366

Taiwan - Kaohsiung
Tel: 886-7-213-7830

Taiwan - Taipei
Tel: 886-2-2508-8600

Thailand - Bangkok
Tel: 66-2-694-1351

Vietnam - Ho Chi Minh
Tel: 84-28-5448-2100

EUROPE

Austria - Wels
Tel: 43-7242-2244-39
Fax: 43-7242-2244-393

Denmark - Copenhagen
Tel: 45-4450-2828
Fax: 45-4485-2829

Finland - Espoo
Tel: 358-9-4520-820

France - Paris
Tel: 33-1-69-53-63-20
Fax: 33-1-69-30-90-79

Germany - Garching
Tel: 49-8931-9700

Germany - Haan
Tel: 49-2129-3766400

Germany - Heilbronn
Tel: 49-7131-67-3636

Germany - Karlsruhe
Tel: 49-721-625370

Germany - Munich
Tel: 49-89-627-144-0
Fax: 49-89-627-144-44

Germany - Rosenheim
Tel: 49-8031-354-560

Israel - Ra'anana
Tel: 972-9-744-7705

Italy - Milan
Tel: 39-0331-742611
Fax: 39-0331-466781

Italy - Padova
Tel: 39-049-7625286

Netherlands - Drunen
Tel: 31-416-690399
Fax: 31-416-690340

Norway - Trondheim
Tel: 47-7289-7561

Poland - Warsaw
Tel: 48-22-3325737

Romania - Bucharest
Tel: 40-21-407-87-50

Spain - Madrid
Tel: 34-91-708-08-90
Fax: 34-91-708-08-91

Sweden - Gothenberg
Tel: 46-31-704-60-40

Sweden - Stockholm
Tel: 46-8-5090-4654

UK - Wokingham
Tel: 44-118-921-5800
Fax: 44-118-921-5820