

# TC1272/TC1273/TC1274

## 3-Pin Reset Monitors for 5V Systems

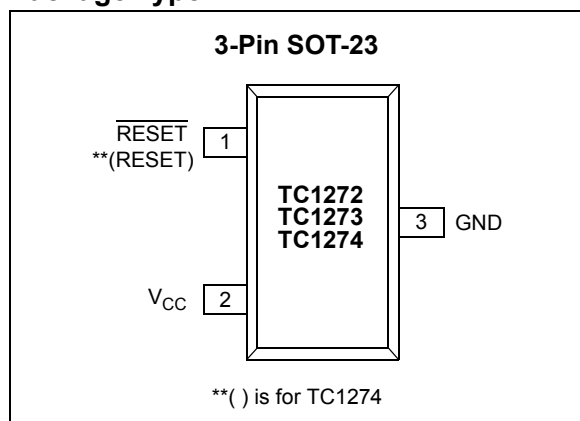
### Features

- Precision  $V_{CC}$  Monitor for 5.0V Systems
- 100 ms Minimum RESET, RESET Output Duration
- Output Valid to  $V_{CC} = 1.2V$
- $V_{CC}$  Transient Immunity
- Small 3-Pin SOT-23 Package
- No External Components

### Applications

- Computers
- Embedded Systems
- Battery-Powered Equipment
- Critical  $\mu P$  Power Supply Monitoring

### Package Type



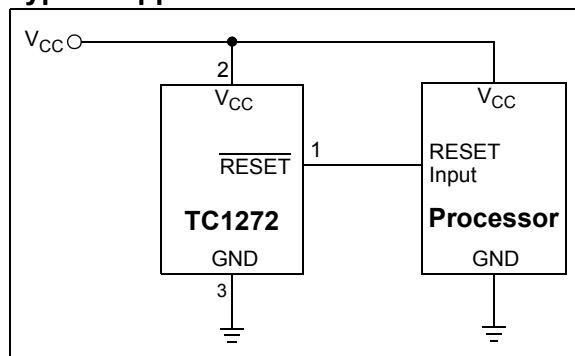
### General Description

The TC1272/TC1273/TC1274 are cost-effective system supervisor circuits designed to monitor  $V_{CC}$  in digital systems and provide a reset signal to the host processor when necessary. No external components are required.

The reset output is driven active within 20  $\mu s$  of  $V_{CC}$  falling through the reset voltage threshold. RESET is maintained active for a minimum of 100 ms after  $V_{CC}$  rises above the reset threshold. The TC1274 has an active-high RESET output, while the TC1272 and TC1273 have an active-low RESET output. The TC1272 and TC1274 each have a complimentary output, while the TC1273 has an open-drain output. The output of the TC1272 and TC1273 is valid down to  $V_{CC} = 1.2V$ . The TC1274 is valid down to  $V_{CC} = 1.8V$ . All three devices are available in a 3-Pin SOT-23 package.

The TC1272/TC1273/TC1274 devices are optimized to reject fast transient glitches on the  $V_{CC}$  line.

### Typical Application Circuit



# TC1272/TC1273/TC1274

## 1.0 ELECTRICAL CHARACTERISTICS

### Absolute Maximum Ratings†

Supply Voltage ( $V_{CC}$ to GND) .....	+6.0V
$\overline{\text{RESET}}$ , RESET .....	-0.3V to ( $V_{CC} + 0.3V$ )
Input Current, $V_{CC}$ .....	20 mA
Output Current, $\overline{\text{RESET}}$ , RESET .....	20 mA
Power Dissipation ( $T_A \leq 70^\circ\text{C}$ )	
3-Pin SOT-23 (derate 4 mW/°C above +70°C)	
.....	230 mW
Operating Temperature Range .....	-40°C to +85°C
Storage Temperature Range .....	-65°C to +150°C

† Stresses above those listed under "Absolute Maximum Ratings" may cause permanent damage to the device. These are stress ratings only and functional operation of the device at these or any other conditions above those indicated in the operation sections of the specifications is not implied. Exposure to Absolute Maximum Rating conditions for extended periods may affect device reliability.

### DC CHARACTERISTICS

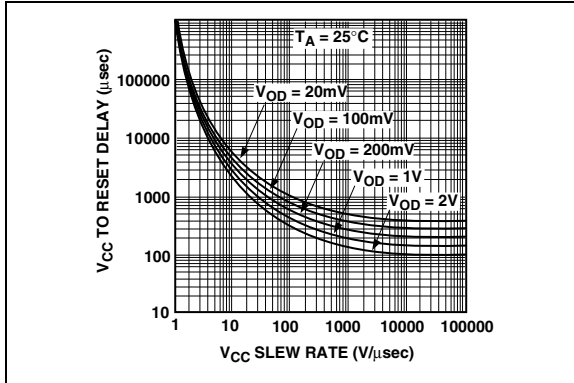
Electrical Specifications: Unless otherwise noted, $T_A = -40^\circ\text{C}$ to +85°C. Typical values are at $T_A = +25^\circ\text{C}$ .						
Parameters	Sym	Min	Typ	Max	Units	Conditions
<b>Supply Voltage</b>						
TC1272, TC1273	$V_{CC}$	1.2	—	5.5	V	Note 1
TC1274	$V_{CC}$	1.8	—	5.5	V	
Output Voltage @ 0-500 $\mu\text{A}$	$V_{OH}$	$V_{CC} - 0.5V$	$V_{CC} - 0.1V$	—	V	TC1272, TC1274 (Note 1)
<b>Output Current @ 2.4 Volts</b>						
$V_{CC} = 5V$ TC1272	$I_{OH}$	—	10	—	mA	Note 2
$V_{CC} = 4V$ TC1274	$I_{OH}$	—	8	—	mA	
Output Current @ 0.4 Volts	$I_{OL}$	+10	30	—	mA	Note 2, Note 5
<b>Operating Current</b>						
$V_{CC} < 5.5V$ : TC1272, TC1274	$I_{CC}$	—	17	40	$\mu\text{A}$	Note 3
$V_{CCTP} < V_{CC} < 5.5V$ : TC1273	$I_{CC}$	—	17	40	$\mu\text{A}$	Note 3
$V_{CC} < V_{CCTP}$ : TC1273	$I_{CC}$	—	700	1200	$\mu\text{A}$	Note 3
$V_{CC}$ Trip Point (TC1272/3/4-5)	$V_{CCTP-5}$	4.50	4.62	4.75	V	Note 1
$V_{CC}$ Trip Point (TC1272/3/4-10)	$V_{CCTP-10}$	4.25	4.37	4.49	V	Note 1
$V_{CC}$ Trip Point (TC1272/3/4-15)	$V_{CCTP-15}$	4.00	4.12	4.24	V	Note 1
Output Capacitance	$C_{OUT}$	—	9	—	pF	
Internal Pull-Up Resistor	$R_P$	3	6	9	$k\Omega$	
<b>AC Electrical Characteristics: <math>T_A = -40^\circ\text{C}</math> to +85°C unless otherwise noted. Typical values are at <math>T_A = +25^\circ\text{C}</math>.</b>						
RESET Active Time	$t_{RST}$	100	200	300	ms	
$V_{CC}$ Detect to $\overline{\text{RESET}}$ TC1272, TC1273	$t_{RPD1}$	—	20	50	$\mu\text{s}$	$V_{CC(Low)} = 1V$ , Figure 4-2
$V_{CC}$ Detect to RESET - TC1274	$t_{RPD2}$	—	20	50	$\mu\text{s}$	$V_{CC(Low)} = 1V$ , Figure 4-4
$V_{CC}$ Slew Rate ( $V_{CCTP(MAX)}$ to $V_{CCTP(MIN)}$ )	$t_F$	300	—	—	$\mu\text{s}$	Figure 4-2, Figure 4-4
$V_{CC}$ Slew Rate ( $V_{CCTP(MIN)}$ to $V_{CCTP(MAX)}$ )	$t_R$	0	—	—	ns	Figure 4-1, Figure 4-3
$V_{CC}$ Detect to $\overline{\text{RESET}}$ TC1272, TC1273	$t_{RPU1}$	100	200	300	ms	Note 4, Figure 4-1
$V_{CC}$ Detect to RESET - TC1274	$t_{RPU2}$	100	200	300	ms	Note 4, Figure 4-3

- Note 1:** All voltages referenced to ground.  
**Note 2:** Measured with  $V_{CC} \geq 2.7$  volts.  
**Note 3:** Measured with RESET output open for TC1272/TC1273; measured with RESET output open for TC1274.  
**Note 4:**  $t_R = 5 \mu\text{s}$ .  
**Note 5:** A 1  $k\Omega$  external resistor may be required in some applications for proper operation of the microprocessor reset control circuit when using the TC1273.

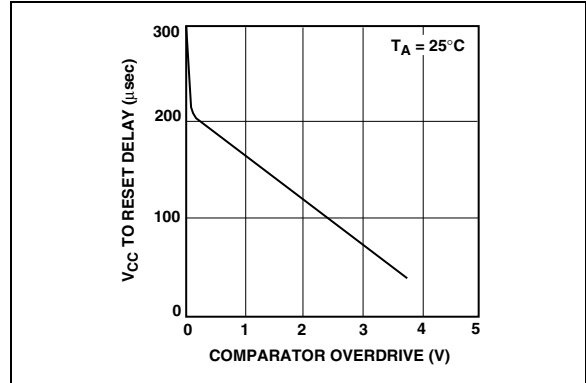
## 2.0 TYPICAL PERFORMANCE CURVES

**Note:** The graphs and tables provided following this note are a statistical summary based on a limited number of samples and are provided for informational purposes only. The performance characteristics listed herein are not tested or guaranteed. In some graphs or tables, the data presented may be outside the specified operating range (e.g., outside specified power supply range) and therefore outside the warranted range.

**Note:** Unless otherwise indicated,  $T_A = -40^{\circ}\text{C}$  to  $+85^{\circ}\text{C}$ . Typical values are at  $T_A = +25^{\circ}\text{C}$ .  
 Comparator Overdrive voltage ( $V_{OD}$ ) is defined in Figure 4-5



**FIGURE 2-1:**  $V_{CC}$  Detect to Reset (RESET).



**FIGURE 2-2:** Reset Delays vs. Comparator Overdrive.

# TC1272/TC1273/TC1274

---

## 3.0 PIN DESCRIPTIONS

The descriptions of the pins are listed in Table 3-1.

**TABLE 3-1: PIN FUNCTION TABLES**

Pin No.	Symbol	Function
1	$\overline{\text{RESET}}$	$\overline{\text{RESET}}$ Output (TC1272 and TC1273)
1	RESET	RESET Output (TC1274)
2	$V_{\text{CC}}$	Supply voltage (1.2V to 5.5V TC1272 and TC1273; 1.8V to 5.5V TC1274)
3	GND	Ground

### 3.1 $\overline{\text{RESET}}$ Output ( $\overline{\text{RESET}}$ )

The  $\overline{\text{RESET}}$  output remains low while  $V_{\text{CC}}$  is below the reset voltage threshold, and for 200 ms (100 ms minimum) after  $V_{\text{CC}}$  rises above reset threshold. The output stage of the TC1272 is complimentary, while the output stage of the TC1273 is open-drain.

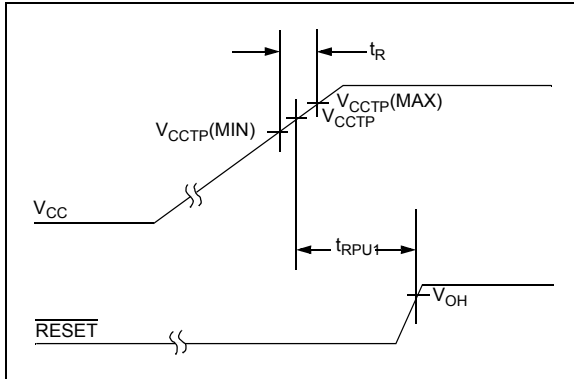
### 3.2 RESET Output (RESET)

The RESET output remains high while  $V_{\text{CC}}$  is below the reset voltage threshold, and for 200 ms (100 ms minimum) after  $V_{\text{CC}}$  rises above reset threshold. The output stage of the TC1274 is complimentary.

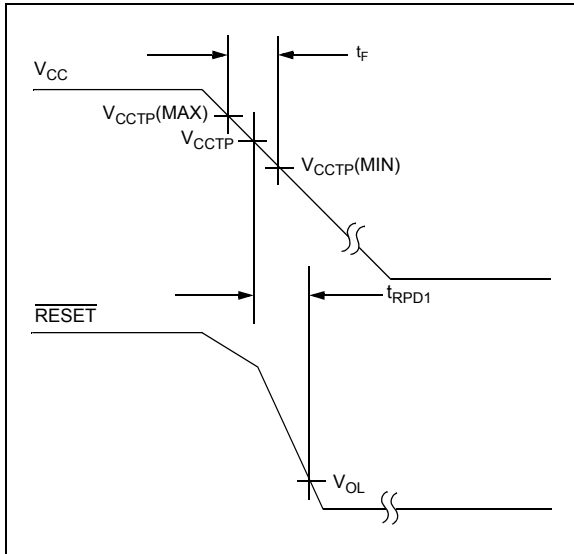
## 4.0 APPLICATIONS INFORMATION

### 4.1 Operation – Power Monitor

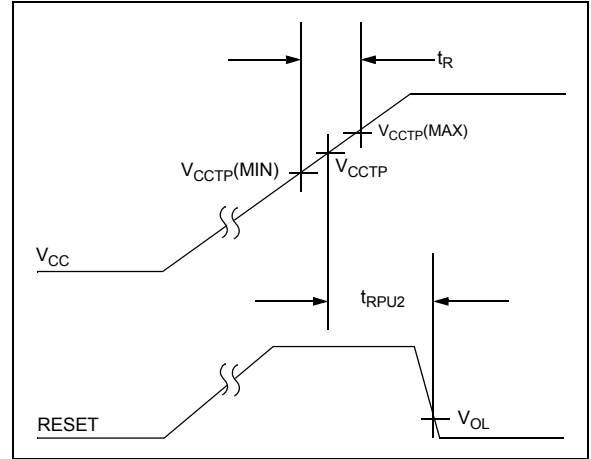
The TC1272/TC1273/TC1274 is designed to function as a voltage monitor for +5V systems. These devices provide a RESET signal to indicate that the  $V_{CC}$  has dropped below a preset voltage level that is selected by the suffix part number. In addition, the RESET is held active for approximately 200 ms after the power supply has risen above the voltage threshold level to allow time for the power supply to stabilize before system operation commences.



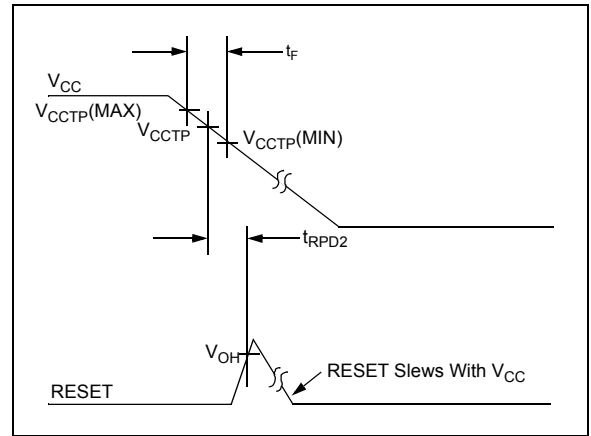
**FIGURE 4-1:** Timing Diagram – Power Up (TC1272/TC1273).



**FIGURE 4-2:** Timing Diagram – Power Down (TC1272/TC1273).



**FIGURE 4-3:** Timing Diagram – Power Up (TC1274).



**FIGURE 4-4:** Timing Diagram – Power Down (TC1274).

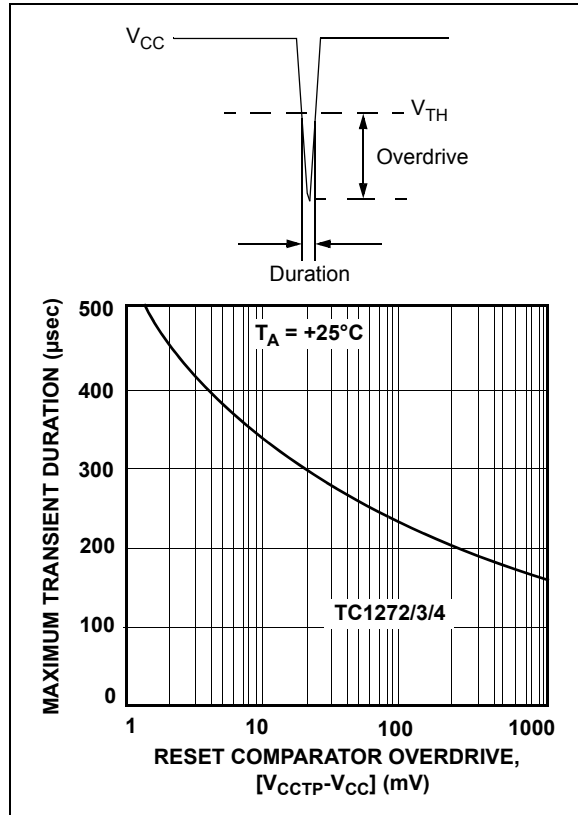
# TC1272/TC1273/TC1274

## 4.2 V<sub>CC</sub> Transient Rejection

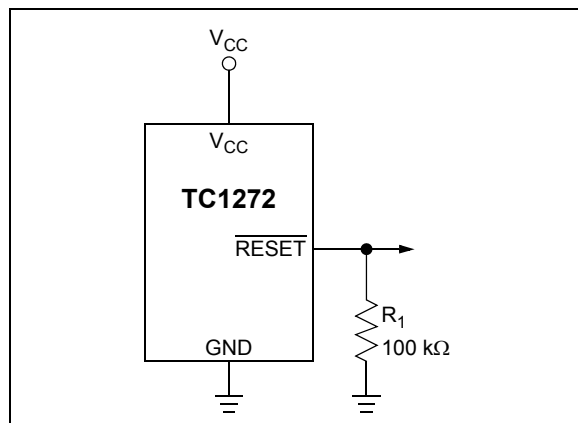
The TC1272/TC1273/TC1274 provides accurate V<sub>CC</sub> monitoring and reset timing during power-up, power-down and brownout/sag conditions, and rejects negative-going transients (glitches) on the power supply line. Figure 4-5 shows the maximum transient duration vs. maximum negative excursion (overdrive) for glitch rejection. Any combination of duration and overdrive that lays **under** the curve will **not** generate a reset signal. Combinations above the curve are detected as a brownout or power-down condition. Transient immunity can be improved by adding a capacitor in close proximity to the V<sub>CC</sub> pin of the TC1272/TC1273/TC1274.

## 4.3 RESET Signal Integrity During Power-Down

The TC1272  $\overline{\text{RESET}}$  output is valid to V<sub>CC</sub> = 1.2V. Below this voltage the output becomes an "open circuit" and does not sink current. This means CMOS logic inputs to the  $\mu\text{P}$  will be floating at an undetermined voltage. Most digital systems are completely shut down well above this voltage. However, in situations where  $\overline{\text{RESET}}$  must be maintained valid to V<sub>CC</sub> = 0V, a pull-down resistor must be connected from  $\overline{\text{RESET}}$  to ground to discharge stray capacitances and hold the output low (Figure 4-6). This resistor value, though not critical, should be chosen such that it does not appreciably load  $\overline{\text{RESET}}$  under normal operation (100 k $\Omega$  will be suitable for most applications). Similarly, a pull-up resistor to V<sub>CC</sub> is required for the TC1274 to ensure a valid high  $\overline{\text{RESET}}$  for V<sub>CC</sub> below 1.8V.



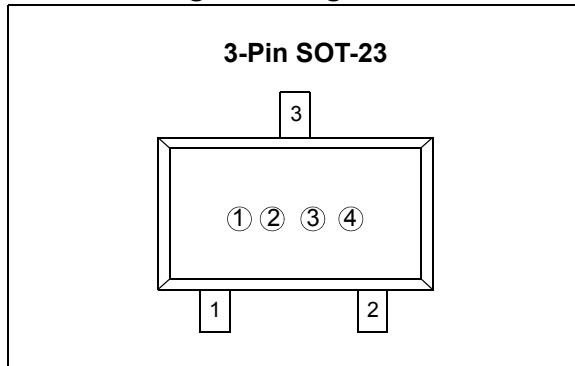
**FIGURE 4-5:** Maximum Transient Duration vs. Overdrive For Glitch Rejection At +25°C.



**FIGURE 4-6:** Ensuring Reset Valid To V<sub>CC</sub> = 0V.

## 5.0 PACKAGING INFORMATION

### 5.1 Package Marking Information



① & ② represents part number code + temperature range and voltage

Reset $V_{CC}$ Threshold (V)	TC1272 Code	TC1273 Code	TC1274 Code
4.62	X1	Y1	Z1
4.37	X2	Y2	Z2
4.12	X3	Y3	Z3

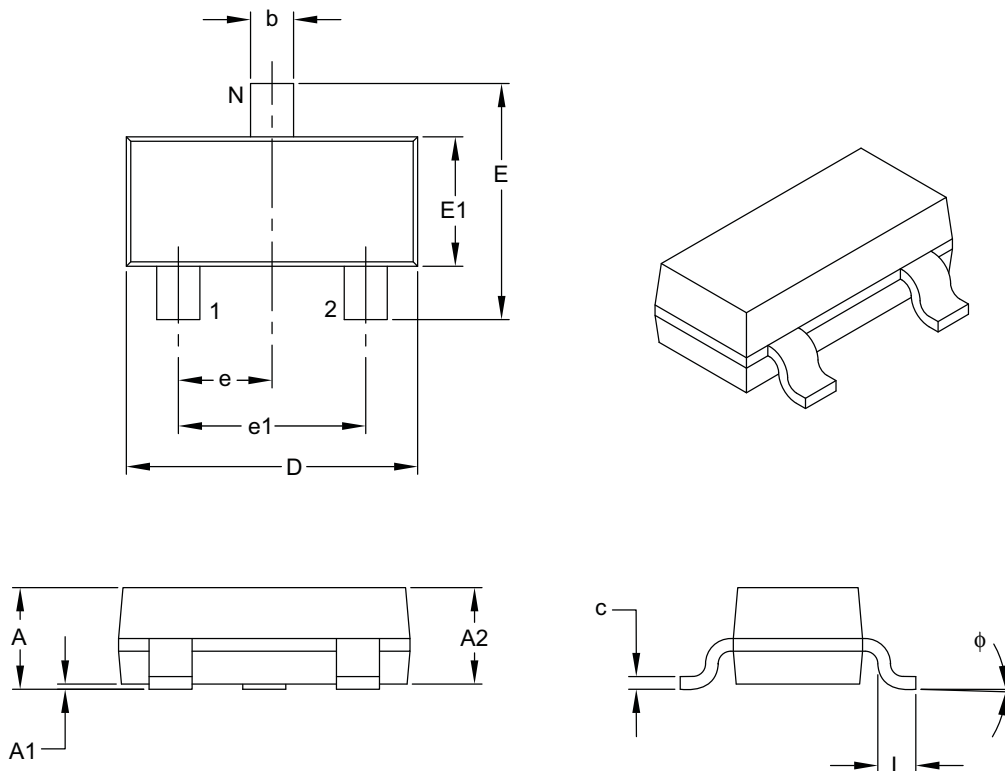
③ represents year and quarter code

④ represents lot ID number

# TC1272/TC1273/TC1274

## 3-Lead Plastic Small Outline Transistor (TT or NB) [SOT-23]

**Note:** For the most current package drawings, please see the Microchip Packaging Specification located at <http://www.microchip.com/packaging>



Dimension Limits	Units	MILLIMETERS		
		MIN	NOM	MAX
Number of Pins	N	3		
Lead Pitch	e	0.95 BSC		
Outside Lead Pitch	e1	1.90 BSC		
Overall Height	A	0.89	–	1.12
Molded Package Thickness	A2	0.79	0.95	1.02
Standoff	A1	0.01	–	0.10
Overall Width	E	2.10	–	2.64
Molded Package Width	E1	1.16	1.30	1.40
Overall Length	D	2.67	2.90	3.05
Foot Length	L	0.13	0.50	0.60
Foot Angle	φ	0°	–	10°
Lead Thickness	c	0.08	–	0.20
Lead Width	b	0.30	–	0.54

**Notes:**

- Dimensions D and E1 do not include mold flash or protrusions. Mold flash or protrusions shall not exceed 0.25 mm per side.
- Dimensioning and tolerancing per ASME Y14.5M.  
BSC: Basic Dimension. Theoretically exact value shown without tolerances.

Microchip Technology Drawing C04-104B



# TC1272/TC1273/TC1274

## PRODUCT IDENTIFICATION SYSTEM

To order or obtain information, e.g., on pricing or delivery, refer to the factory or the listed sales office.

<u>PART NO.</u>	<u>XX</u>	<u>X</u>	<u>/XX</u>
Device	Reset $V_{CC}$ Threshold	Temperature Range	Package
Device:	TC1272: 3-Pin Reset Monitor - Complementary TC1273: 3-Pin Reset Monitor - Open-Drain TC1274: 3-Pin Reset Monitor - Complementary		
Reset $V_{CC}$ Threshold Voltage	5 = 4.62V 10 = 4.37V 15 = 4.12V		
Temperature Range:	E = -40°C to +85°C		
Package:	NB = Plastic Small Outline Transistor (SOT-23), 3-lead		

**Examples:**

- a) TC1272-10ENBTR: 4.37V Reset
- b) TC1272-15ENBTR: 4.12V Reset
- c) TC1272-5ENBTR: 4.62V Reset
  
- a) TC1273-10ENBTR: 4.37V Reset
- b) TC1273-15ENBTR: 4.12V Reset
- c) TC1273-5ENBTR: 4.62V Reset
  
- a) TC1274-10ENBTR: 4.37V Reset
- b) TC1274-15ENBTR: 4.12V Reset
- c) TC1274-5ENBTR: 4.62V Reset

# TC1272/TC1273/TC1274

---

NOTES:

---

**Note the following details of the code protection feature on Microchip devices:**

- Microchip products meet the specification contained in their particular Microchip Data Sheet.
- Microchip believes that its family of products is one of the most secure families of its kind on the market today, when used in the intended manner and under normal conditions.
- There are dishonest and possibly illegal methods used to breach the code protection feature. All of these methods, to our knowledge, require using the Microchip products in a manner outside the operating specifications contained in Microchip's Data Sheets. Most likely, the person doing so is engaged in theft of intellectual property.
- Microchip is willing to work with the customer who is concerned about the integrity of their code.
- Neither Microchip nor any other semiconductor manufacturer can guarantee the security of their code. Code protection does not mean that we are guaranteeing the product as "unbreakable."

Code protection is constantly evolving. We at Microchip are committed to continuously improving the code protection features of our products. Attempts to break Microchip's code protection feature may be a violation of the Digital Millennium Copyright Act. If such acts allow unauthorized access to your software or other copyrighted work, you may have a right to sue for relief under that Act.

---

Information contained in this publication regarding device applications and the like is provided only for your convenience and may be superseded by updates. It is your responsibility to ensure that your application meets with your specifications. MICROCHIP MAKES NO REPRESENTATIONS OR WARRANTIES OF ANY KIND WHETHER EXPRESS OR IMPLIED, WRITTEN OR ORAL, STATUTORY OR OTHERWISE, RELATED TO THE INFORMATION, INCLUDING BUT NOT LIMITED TO ITS CONDITION, QUALITY, PERFORMANCE, MERCHANTABILITY OR FITNESS FOR PURPOSE. Microchip disclaims all liability arising from this information and its use. Use of Microchip devices in life support and/or safety applications is entirely at the buyer's risk, and the buyer agrees to defend, indemnify and hold harmless Microchip from any and all damages, claims, suits, or expenses resulting from such use. No licenses are conveyed, implicitly or otherwise, under any Microchip intellectual property rights.

**Trademarks**

The Microchip name and logo, the Microchip logo, Accuron, dsPIC, KEELOQ, KEELOQ logo, microID, MPLAB, PIC, PICmicro, PICSTART, PRO MATE, PowerSmart, rPIC, and SmartShunt are registered trademarks of Microchip Technology Incorporated in the U.S.A. and other countries.

AmpLab, FilterLab, Linear Active Thermistor, Migratable Memory, MXDEV, MXLAB, PS logo, SEEVAL, SmartSensor and The Embedded Control Solutions Company are registered trademarks of Microchip Technology Incorporated in the U.S.A.

Analog-for-the-Digital Age, Application Maestro, CodeGuard, dsPICDEM, dsPICDEM.net, dsPICworks, ECAN, ECONOMONITOR, FanSense, FlexROM, fuzzyLAB, In-Circuit Serial Programming, ICSP, ICEPIC, Mindi, MiWi, MPASM, MPLAB Certified logo, MPLIB, MPLINK, PICkit, PICDEM, PICDEM.net, PICLAB, PICtail, PowerCal, PowerInfo, PowerMate, PowerTool, REAL ICE, rLAB, rfPICDEM, Select Mode, Smart Serial, SmartTel, Total Endurance, UNI/O, WiperLock and ZENA are trademarks of Microchip Technology Incorporated in the U.S.A. and other countries.

SQTP is a service mark of Microchip Technology Incorporated in the U.S.A.

All other trademarks mentioned herein are property of their respective companies.

© 2007, Microchip Technology Incorporated, Printed in the U.S.A., All Rights Reserved.

 Printed on recycled paper.

*Microchip received ISO/TS-16949:2002 certification for its worldwide headquarters, design and wafer fabrication facilities in Chandler and Tempe, Arizona, Gresham, Oregon and Mountain View, California. The Company's quality system processes and procedures are for its PIC<sup>®</sup> MCUs and dsPIC<sup>®</sup> DSCs, KEELOQ<sup>®</sup> code hopping devices, Serial EEPROMs, microperipherals, nonvolatile memory and analog products. In addition, Microchip's quality system for the design and manufacture of development systems is ISO 9001:2000 certified.*

**QUALITY MANAGEMENT SYSTEM  
CERTIFIED BY DNV  
== ISO/TS 16949:2002 ==**



---

## WORLDWIDE SALES AND SERVICE

---

### AMERICAS

**Corporate Office**  
2355 West Chandler Blvd.  
Chandler, AZ 85224-6199  
Tel: 480-792-7200  
Fax: 480-792-7277  
Technical Support:  
<http://support.microchip.com>  
Web Address:  
[www.microchip.com](http://www.microchip.com)

**Atlanta**  
Duluth, GA  
Tel: 678-957-9614  
Fax: 678-957-1455

**Boston**  
Westborough, MA  
Tel: 774-760-0087  
Fax: 774-760-0088

**Chicago**  
Itasca, IL  
Tel: 630-285-0071  
Fax: 630-285-0075

**Dallas**  
Addison, TX  
Tel: 972-818-7423  
Fax: 972-818-2924

**Detroit**  
Farmington Hills, MI  
Tel: 248-538-2250  
Fax: 248-538-2260

**Kokomo**  
Kokomo, IN  
Tel: 765-864-8360  
Fax: 765-864-8387

**Los Angeles**  
Mission Viejo, CA  
Tel: 949-462-9523  
Fax: 949-462-9608

**Santa Clara**  
Santa Clara, CA  
Tel: 408-961-6444  
Fax: 408-961-6445

**Toronto**  
Mississauga, Ontario,  
Canada  
Tel: 905-673-0699  
Fax: 905-673-6509

### ASIA/PACIFIC

**Asia Pacific Office**  
Suites 3707-14, 37th Floor  
Tower 6, The Gateway  
Harbour City, Kowloon  
Hong Kong  
Tel: 852-2401-1200  
Fax: 852-2401-3431

**Australia - Sydney**  
Tel: 61-2-9868-6733  
Fax: 61-2-9868-6755

**China - Beijing**  
Tel: 86-10-8528-2100  
Fax: 86-10-8528-2104

**China - Chengdu**  
Tel: 86-28-8665-5511  
Fax: 86-28-8665-7889

**China - Fuzhou**  
Tel: 86-591-8750-3506  
Fax: 86-591-8750-3521

**China - Hong Kong SAR**  
Tel: 852-2401-1200  
Fax: 852-2401-3431

**China - Qingdao**  
Tel: 86-532-8502-7355  
Fax: 86-532-8502-7205

**China - Shanghai**  
Tel: 86-21-5407-5533  
Fax: 86-21-5407-5066

**China - Shenyang**  
Tel: 86-24-2334-2829  
Fax: 86-24-2334-2393

**China - Shenzhen**  
Tel: 86-755-8203-2660  
Fax: 86-755-8203-1760

**China - Shunde**  
Tel: 86-757-2839-5507  
Fax: 86-757-2839-5571

**China - Wuhan**  
Tel: 86-27-5980-5300  
Fax: 86-27-5980-5118

**China - Xian**  
Tel: 86-29-8833-7250  
Fax: 86-29-8833-7256

### ASIA/PACIFIC

**India - Bangalore**  
Tel: 91-80-4182-8400  
Fax: 91-80-4182-8422

**India - New Delhi**  
Tel: 91-11-4160-8631  
Fax: 91-11-4160-8632

**India - Pune**  
Tel: 91-20-2566-1512  
Fax: 91-20-2566-1513

**Japan - Yokohama**  
Tel: 81-45-471-6166  
Fax: 81-45-471-6122

**Korea - Gumi**  
Tel: 82-54-473-4301  
Fax: 82-54-473-4302

**Korea - Seoul**  
Tel: 82-2-554-7200  
Fax: 82-2-558-5932 or  
82-2-558-5934

**Malaysia - Penang**  
Tel: 60-4-646-8870  
Fax: 60-4-646-5086

**Philippines - Manila**  
Tel: 63-2-634-9065  
Fax: 63-2-634-9069

**Singapore**  
Tel: 65-6334-8870  
Fax: 65-6334-8850

**Taiwan - Hsin Chu**  
Tel: 886-3-572-9526  
Fax: 886-3-572-6459

**Taiwan - Kaohsiung**  
Tel: 886-7-536-4818  
Fax: 886-7-536-4803

**Taiwan - Taipei**  
Tel: 886-2-2500-6610  
Fax: 886-2-2508-0102

**Thailand - Bangkok**  
Tel: 66-2-694-1351  
Fax: 66-2-694-1350

### EUROPE

**Austria - Wels**  
Tel: 43-7242-2244-39  
Fax: 43-7242-2244-393

**Denmark - Copenhagen**  
Tel: 45-4450-2828  
Fax: 45-4485-2829

**France - Paris**  
Tel: 33-1-69-53-63-20  
Fax: 33-1-69-30-90-79

**Germany - Munich**  
Tel: 49-89-627-144-0  
Fax: 49-89-627-144-44

**Italy - Milan**  
Tel: 39-0331-742611  
Fax: 39-0331-466781

**Netherlands - Drunen**  
Tel: 31-416-690399  
Fax: 31-416-690340

**Spain - Madrid**  
Tel: 34-91-708-08-90  
Fax: 34-91-708-08-91

**UK - Wokingham**  
Tel: 44-118-921-5869  
Fax: 44-118-921-5820