

Resistor-Programmable Temperature Switches

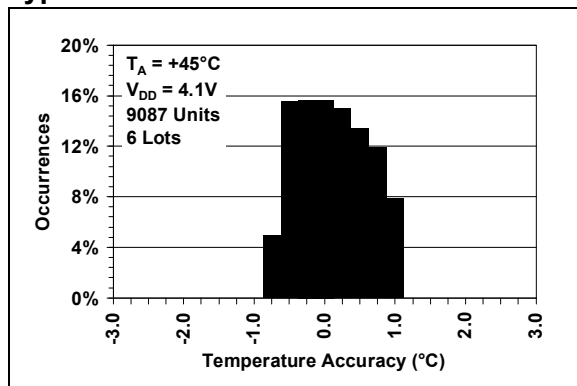
Features

- Resistor-Programmable Temperature Switch
- Wide Operating Voltage Range: 2.7V to 5.5V
- Low Supply Current: 30 μ A (typical)
- Temperature Switch Accuracy:
 - $\pm 0.5^\circ\text{C}$ (typical) at $+25^\circ\text{C}$, $+45^\circ\text{C}$
 - $\pm 1^\circ\text{C}$ (typical) 0°C to $+70^\circ\text{C}$
 - $\pm 3.5^\circ\text{C}$ (maximum) 0°C to $+125^\circ\text{C}$
 - $\pm 4.5^\circ\text{C}$ (maximum) -20°C to $+125^\circ\text{C}$
 - $\pm 2^\circ\text{C}$ (typical) -40°C to $+125^\circ\text{C}$
- Sensor Options available:
 - Switch for rising temperature: Cold to Hot (H)
 - Switch for falling temperature: Hot to Cold (C)
- Output Configurations:
 - Open-Drain:
 - External Pull-up Resistor: MCP9509
 - Internal Pull-up Resistor: MCP9510
 - Active-Low, Push-Pull: MCP9510
 - Active-High, Push-Pull: MCP9510
- User Selectable Hysteresis: 2°C or 10°C (typical)
- Space-Saving SOT-23-5, SOT-23-6 Packages

Applications

- Power Supply Thermal Shutdown
- Temperature Alarm
- Thermostat Control
- Fan Control
- Base-Stations
- Automotive

Typical Performance

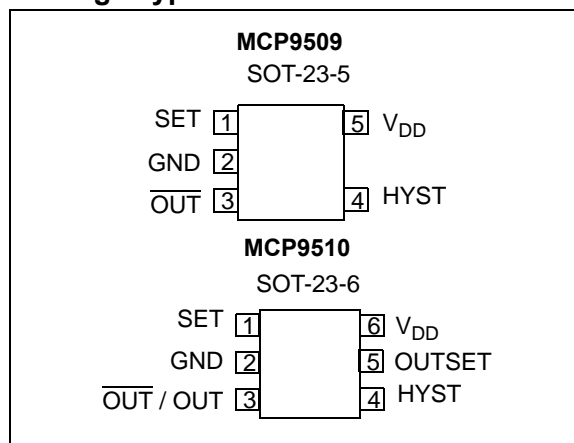


Description

Microchip Technology's MCP9509/10 devices are programmable logic output temperature switches. The temperature switch threshold can be programmed with a single external resistor, which provides high design flexibility and simplicity. In addition, this family of devices provide user programmable features such as 2°C and 10°C (typical) switch hysteresis and output structure configuration. The MCP9509 provides an open drain output, whereas the MCP9510 is offered in three different user selectable output configurations: Active-low/Active-high push pull and Active-Low Open-Drain output with an internal $100\text{ k}\Omega$ pull-up resistor.

The MCP9509/10 operate from 2.7V to 5.5V. This family is capable of triggering for temperatures -40°C to $+125^\circ\text{C}$ with high accuracy.

Package Types



MCP9509/10

NOTES:

1.0 ELECTRICAL CHARACTERISTICS

Absolute Maximum Ratings †

| | |
|---|--------------------|
| V_{DD} | 6.0V |
| Voltage at all Input/Output pins | GND – 0.3V to 6.0V |
| Input/Output Current | 20 mA |
| Storage temperature | -65°C to +150°C |
| Ambient temp. with power applied | -40°C to +125°C |
| Junction Temperature (T_J) | +150°C |
| ESD protection on all pins (HBM:MM) | (4 kV/400V) |
| Latch-Up Current at each pin (25°C) | ±200 mA |

†**Notice:** Stresses above those listed under “Maximum ratings” may cause permanent damage to the device. This is a stress rating only and functional operation of the device at those or any other conditions above those indicated in the operational listings of this specification is not implied. Exposure to maximum rating conditions for extended periods may affect device reliability.

DC CHARACTERISTICS

Electrical Specifications: Unless otherwise indicated, $V_{DD} = 2.7V$ to $5.5V$, $T_A = -40^\circ C$ to $+125^\circ C$, and GND = Ground.

| Parameters | Sym | Min | Typ | Max | Unit | Conditions |
|---|--------------|----------------|------|-------------|------|--|
| Sensor Accuracy | | | | | | |
| $T_A = +25^\circ C, +45^\circ C$ | T_{ACY} | — | ±0.5 | — | °C | Note 1 |
| $0^\circ C \leq T_A \leq +125^\circ C$ | | -3.5 | ±1 | +3.5 | °C | |
| $-20^\circ C \leq T_A \leq +125^\circ C$ | | -4.5 | ±1 | +4.5 | °C | |
| $-40^\circ C \leq T_A \leq +125^\circ C$ | | — | ±2 | — | °C | |
| Power Supply | | | | | | |
| Operating Voltage | V_{DD} | 2.7 | — | 5.5 | V | |
| Operating Current (MCP9509) | I_{DD} | — | 30 | 50 | µA | |
| Operating Current (MCP9510) | I_{DD} | — | 50 | 80 | µA | OUTSET = GND or V_{DD} |
| | | — | 100 | 165 | µA | OUTSET = Unconnected |
| Hysteresis | | | | | | |
| Trip Point Hysteresis | T_{HYST} | — | +2 | — | °C | HYST = GND |
| | | — | +10 | — | °C | HYST = V_{DD} |
| Hysteresis Select: Input (HYST) Thresholds | V_{IH} | $V_{DD} - 0.4$ | — | — | V | |
| | V_{IL} | — | — | 0.4 | V | |
| Hysteresis Input (HYST) Leakage | I_{Leak} | — | 1 | — | µA | |
| MCP9510 Output Control Input (OUTSET Input) | | | | | | |
| OUTSET Input Voltage Threshold and Output Configuration | | | | | | |
| Push-Pull, Active Low | V_{OSET} | GND | — | $0.2V_{DD}$ | V | or OUTSET Unconnected |
| Open-Drain with R_{OUT} , Active Low | | $0.45V_{DD}$ | — | $0.7V_{DD}$ | V | |
| Push-Pull, Active High | | $0.85V_{DD}$ | — | V_{DD} | V | |
| OUTSET Input Leakage and Output Configuration | | | | | | |
| Push-Pull, Active Low | I_{Leak} | — | 10 | — | µA | $GND \leq V_{OSET} \leq 0.2V_{DD}$ |
| Open-Drain, Active Low | | — | 0 | — | µA | Unconnected (i.e. open) |
| | | — | 7 | — | µA | $0.4V_{DD} \leq V_{OSET} \leq 0.7V_{DD}$ |
| Push-Pull, Active High | | — | -10 | — | µA | $0.85 \leq V_{OSET} \leq V_{DD}$ |
| OUTSET Input Impedance | Z_{OUTSET} | — | 500 | — | kΩ | |

Note 1: This specification is tested at mid supply of 4.1V for optimum operation across the supply voltage range of 2.7V to 5.5V.

MCP9509/10

DC CHARACTERISTICS (CONTINUED)

Electrical Specifications: Unless otherwise indicated, $V_{DD} = 2.7V$ to $5.5V$, $T_A = -40^{\circ}C$ to $+125^{\circ}C$, and GND = Ground.

| Parameters | Sym | Min | Typ | Max | Unit | Conditions |
|---|------------|-----------------|------|----------|---------------|---|
| Outputs (OUT, \overline{OUT}) | | | | | | |
| Output Voltage High, MCP9510 | V_{OH} | $V_{DD} - 0.55$ | — | V_{DD} | V | $I_{OUT} = 5\text{ mA}$ OUTSET = V_{DD} or GND |
| Output Voltage Low, MCP9510 | V_{OL} | GND | — | 0.3 | V | |
| Output Voltage Low, MCP9509 | V_{OL} | GND | — | 0.3 | V | $I_{OUT} = 5\text{ mA}$ |
| Internal Output Pull-up (MCP9510) | R_{OUT} | 60 | 100 | 140 | k Ω | OUTSET Unconnected |
| Open-Drain Output Leakage | I_{Leak} | — | 1 | — | μA | MCP9509/10 |
| Power Supply Rejection | PSR | — | 0.05 | — | $^{\circ}C/V$ | |
| Thermal Response | | | | | | |
| SOT23-5, SOT23-6 | t_{RES} | — | 1.7 | — | s | Time to 63% ($88^{\circ}C$). $+25^{\circ}C$ (Air) to $+125^{\circ}C$ (oil bath) |

Note 1: This specification is tested at mid supply of 4.1V for optimum operation across the supply voltage range of 2.7V to 5.5V.

TEMPERATURE CHARACTERISTICS

Electrical Specifications: Unless otherwise indicated, $V_{DD} = 2.7V$ to $5.5V$, $T_A = -40^{\circ}C$ to $+125^{\circ}C$, and GND = Ground.

| Parameters | Sym | Min | Typ | Max | Units | Conditions |
|------------------------------------|---------------|-----|-------|------|--------------------|------------|
| Temperature Ranges | | | | | | |
| Specified Temperature Range | T_A | -40 | — | +125 | $^{\circ}C$ | (Note 1) |
| Operating Temperature Range | T_A | -40 | — | +125 | $^{\circ}C$ | |
| Storage Temperature Range | T_A | -65 | — | +150 | $^{\circ}C$ | |
| Thermal Package Resistances | | | | | | |
| Thermal Resistance, 5L-SOT23 | θ_{JA} | — | 220.7 | — | $^{\circ}C/\Omega$ | |
| Thermal Resistance, 6L-SOT23 | θ_{JA} | — | 190.5 | — | $^{\circ}C/\Omega$ | |

Note 1: Operation in this range must not cause T_J to exceed Maximum Junction Temperature ($+150^{\circ}C$).

2.0 TYPICAL PERFORMANCE CURVES

Note: The graphs and tables provided following this note are a statistical summary based on a limited number of samples and are provided for informational purposes only. The performance characteristics listed herein are not tested or guaranteed. In some graphs or tables, the data presented may be outside the specified operating range (e.g., outside specified power supply range) and therefore outside the warranted range.

Note: Unless otherwise indicated, $V_{DD} = 2.7V$ to $5.5V$, $T_A = -40^{\circ}C$ to $+125^{\circ}C$, GND = Ground, $R_{PULL-UP} = 10\text{ k}\Omega$ (MCP9509 only) and $0.1\text{ }\mu\text{F}$ bypass capacitor.

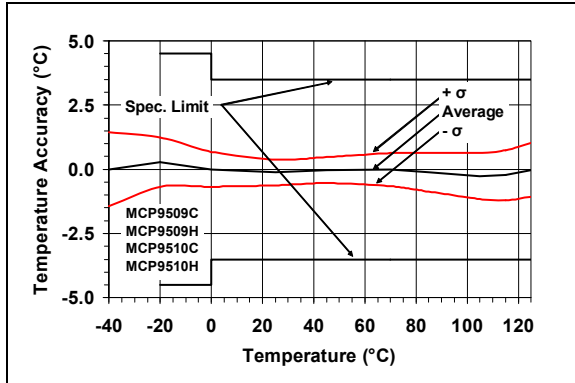


FIGURE 2-1: Temperature Accuracy.

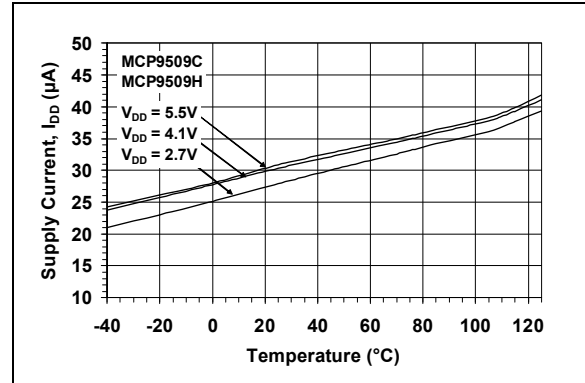


FIGURE 2-4: Supply Current vs. Temperature (MCP9509).

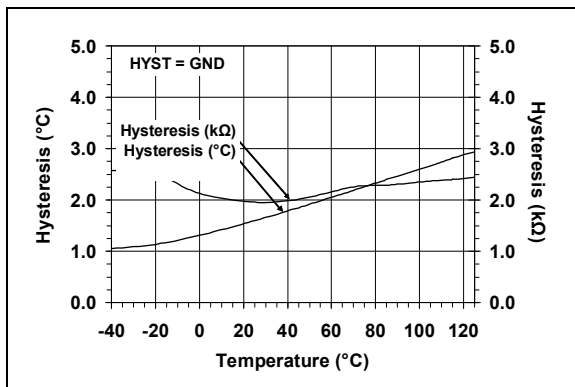


FIGURE 2-2: Output Hysteresis vs. Temperature.

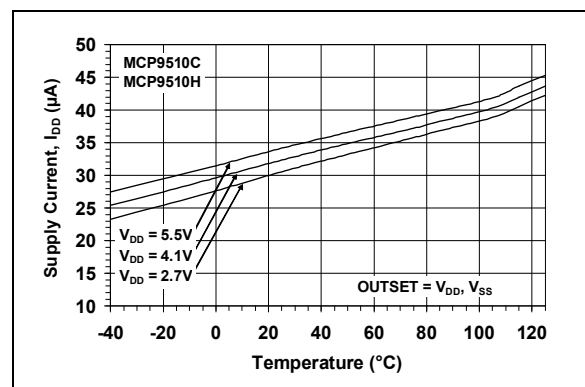


FIGURE 2-5: Supply Current vs. Temperature $OUTSET = V_{DD}, V_{SS}$ (MCP9510).

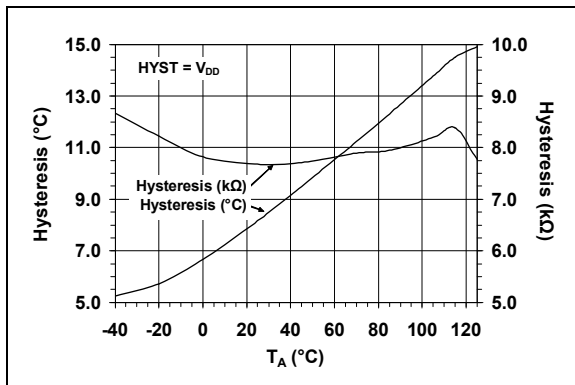


FIGURE 2-3: Output Hysteresis vs. Temperature.

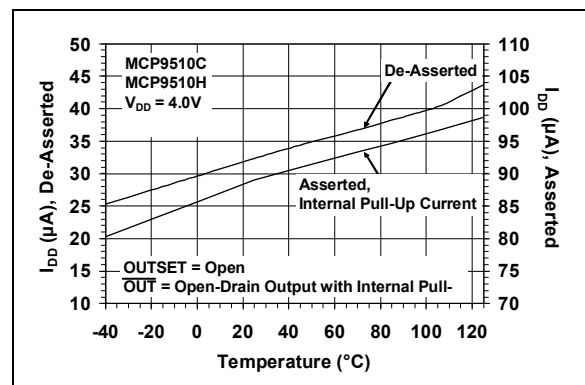


FIGURE 2-6: Supply Current vs. Temperature $OUTSET = \text{Unconnected, Open}$ (MCP9510).

MCP9509/10

Note: Unless otherwise indicated, $V_{DD} = 2.7V$ to $5.5V$, $T_A = -40^{\circ}C$ to $+125^{\circ}C$, GND = Ground, $R_{PULL-UP} = 10\text{ k}\Omega$ (MCP9509 only) and $0.1\text{ }\mu\text{F}$ bypass capacitor.

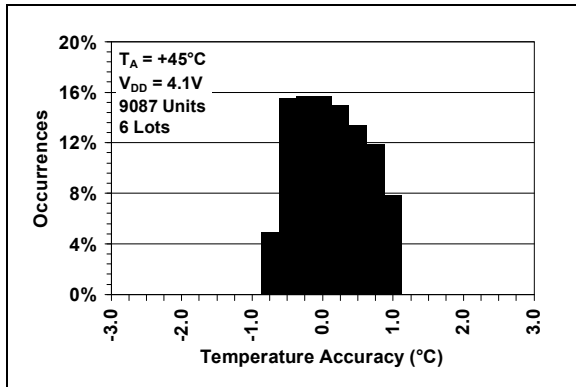


FIGURE 2-7: Temperature Accuracy Histogram at $+45^{\circ}C$.

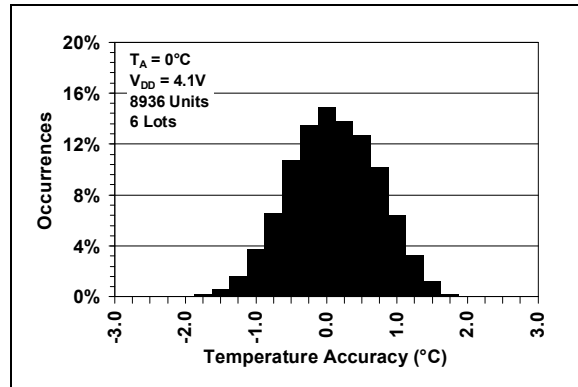


FIGURE 2-10: Temperature Accuracy Histogram at $0^{\circ}C$.

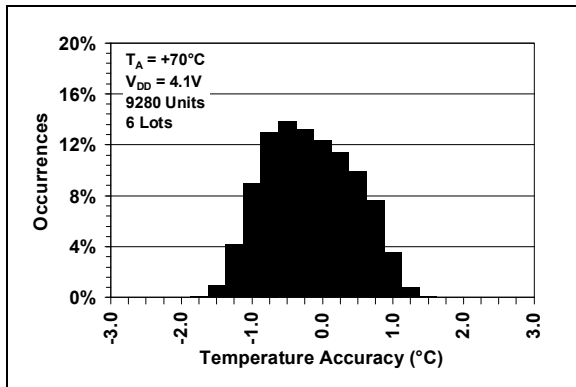


FIGURE 2-8: Temperature Accuracy Histogram at $+70^{\circ}C$.

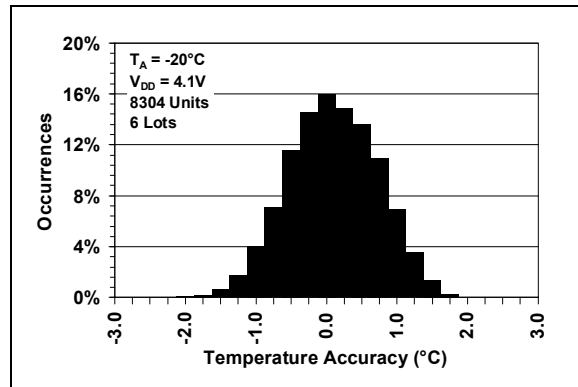


FIGURE 2-11: Temperature Accuracy Histogram at $-20^{\circ}C$.

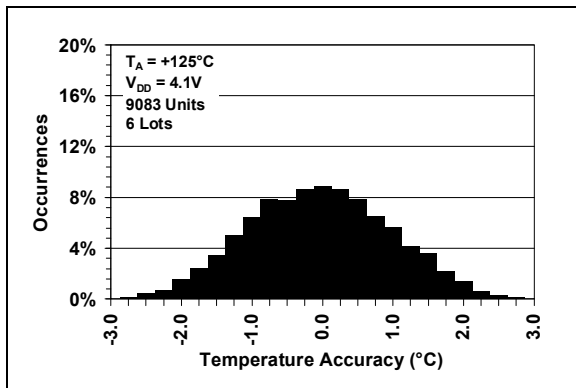


FIGURE 2-9: Temperature Accuracy Histogram at $+125^{\circ}C$.

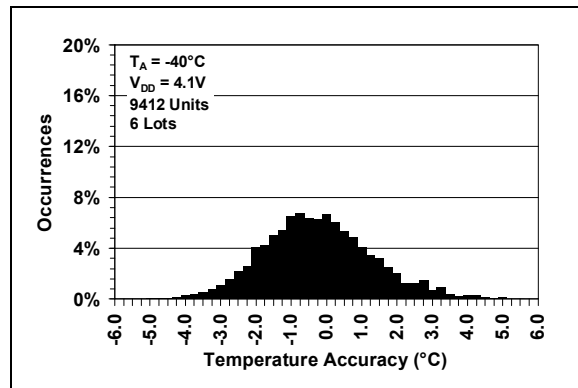


FIGURE 2-12: Temperature Accuracy Histogram at $-40^{\circ}C$.

Note: Unless otherwise indicated, $V_{DD} = 2.7V$ to $5.5V$, $T_A = -40^{\circ}C$ to $+125^{\circ}C$, $GND = \text{Ground}$, $R_{PULL-UP} = 10\text{ k}\Omega$ (MCP9509 only) and $0.1\text{ }\mu\text{f}$ bypass capacitor.

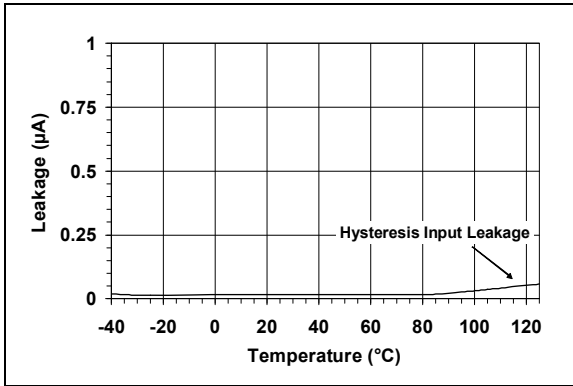


FIGURE 2-13: Hysteresis Input Leakage vs. Temperature.

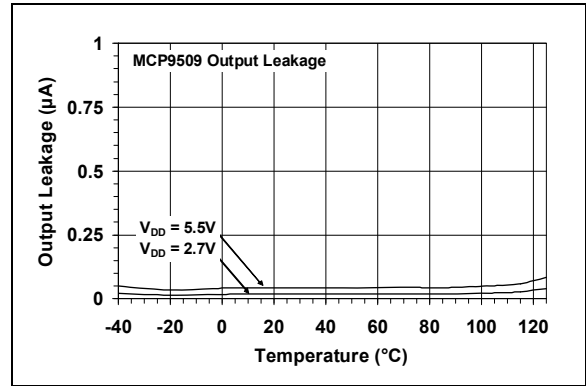


FIGURE 2-14: Output Leakage vs. Temperature.

MCP9509/10

NOTES:

3.0 PIN DESCRIPTIONS

TABLE 3-1: PIN FUNCTION TABLE

| MCP9509 | MCP9510 | Symbol | Description |
|----------|----------|--------------------------|--|
| SOT-23-5 | SOT-23-6 | | |
| 1 | 1 | SET | External Trip Temperature Resistor (R_{SET}) input |
| 2 | 2 | GND | Ground |
| 3 | — | \overline{OUT} | Open-drain output |
| — | 3 | OUT, \overline{OUT} | Selectable Output pin, function set by OUTSET pin |
| 4 | 4 | HYS | Hysteresis Input HYS = GND, hysteresis is 2°C HYS = V_{DD} , hysteresis is 10°C |
| 5 | 6 | V_{DD} | Power pin |
| — | 5 | OUTSET | Output Control OUTSET = GND, Active-Low, Push-Pull OUTSET = V_{DD} , Active-High, Push-Pull OUTSET = Unconnected, Active-Low, Open-Drain with an internal pull-up |

3.1 External Resistor Input (SET)

This pin is used to connect a resistor between the SET and GND pins to select the temperature trip point (T_{SET}). The resistor value can be determined either from Equation 4-2 or the lookup table shown in Table 4-2.

3.2 Ground (GND)

The GND pin is the system ground pin.

3.3 Hysteresis Input (HYS)

This is an input pin which can be connected to V_{DD} or GND to select output hysteresis. Either 2°C (HYS = GND) or 10°C (HYS = V_{DD}) of hysteresis can be selected.

3.4 Power Pin (V_{DD})

The operating voltage range, as specified in the DC electrical specification table, is applied on this pin.

3.5 Open-Drain Output (\overline{OUT}) (MCP9509)

This output is triggered when temperature exceeds the programmed trip temperature. This pin requires a pull-up resistor.

3.6 Selectable Output (OUT, \overline{OUT}) (MCP9510)

The output pin can be configured as either a Push-Pull Active-High, Push-Pull Active-Low, or an Open-drain Output with an internal pull-up resistor. The three output options of the MCP9510 are selected by the OUTSET pin.

3.7 Output Control (OUTSET) (MCP9510)

The OUTSET pin is used to select the desired configuration of the OUT or \overline{OUT} pin.

TABLE 3-1: OUTSET SELECTABLE OUTPUTS

| OUTSET Pin | OUT / \overline{OUT} Pin |
|----------------------------|---|
| GND | Push-Pull, Active-Low |
| V_{DD} | Push-Pull, Active-High |
| unconnected (i.e. open) | Open-Drain output with an internal pull-up resistor of 100 k Ω (typical) |

MCP9509/10

NOTES:

4.0 FUNCTIONAL DESCRIPTION

The MCP9509/10 integrates a temperature switch with a user programmable threshold. The temperature switch threshold or alert limit is programmed using an external resistor R_{SET} . A logic signal is asserted when the die temperature crosses the programmed alert limit. The MCP9509 has an Open-Drain output which requires an external pull-up resistor for operation. The MCP9510 output can be configured to three user selectable output configurations. The OUTSET pin is used to select Active-Low Push-Pull, Active-Low Open-Drain (with internal $100\text{ k}\Omega$ pull-up resistor), Active-High Push-Pull output configurations. In addition, this device provides user selectable hysteresis of 2°C and 10°C (typical).

4.1 SET Input Pin

The SET input pin is used to connect an external resistor R_{SET} . The resistor sets the alert threshold. The SET pin outputs a constant current I_{SET} ($\sim 5\ \mu\text{A}$) to bias R_{SET} (Shown in Figure 4-1). The voltage across R_{SET} , V_{SET} , is compared to an internal thermal diode.

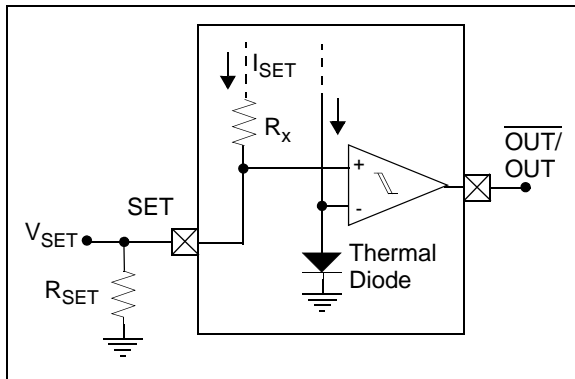


FIGURE 4-1: SET input.

When the thermal diode voltage exceeds V_{SET} , the sensor output asserts. The assert polarity is determined by the state of the OUTSET pin.

4.2 MCP9510 OUTSET Input Pin

This pin is used to select the device output configuration. This feature enables in-circuit device output configuration by driving this pin with a microcontroller I/O pin to Output-HIGH, Output-LOW, or High-Impedance input. Figure 4-4 shows the configuration and output conditions.

The input structure of this pin consists of a resistor ladder and comparators to determine OUTSET level threshold. Figure 4-2 shows the circuit configuration. The OUTSET input resistance must be carefully considered for leakage current when connecting voltage source to change output configuration.

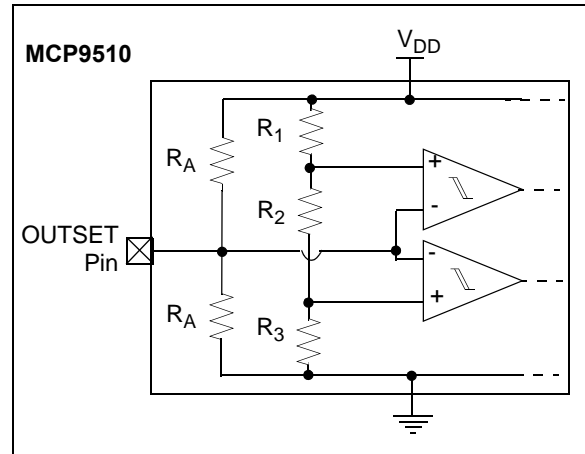


FIGURE 4-2: MCP9510 OUTSET Input Structure.

The OUTSET pin input impedance Z_{OUTSET} is set by the internal resistance $R_A = 1\ \text{M}\Omega$ (typical). The input structure is a voltage divider network from V_{DD} . Therefore, the leakage current on the OUTSET pin is a function of change in V_{DD} and the V_{OUTSET} .

4.3 HYST Input Pin (Hysteresis Select)

The MCP9509/10 family has a user selectable hysteresis input pin HYST. Hysteresis can be externally selected to either 2°C ($\text{HYST} = \text{GND}$) or 10°C ($\text{HYST} = V_{DD}$). Figure 4-3 shows graphical description of change in hysteresis.

For example, if the alert temperature threshold is set to $T_{SET} = 100^\circ\text{C}$ ($R_{SET} = 16.1\ \text{k}\Omega$) with an Active-Low output configuration, the output asserts Low when temperature exceeds $100^\circ\text{C} \pm T_{ACY}$. The output remains asserted Low until temperature falls below T_{HYST} , 98°C ($\text{HYST} = \text{GND}$) or 90°C ($\text{HYST} = V_{DD}$).

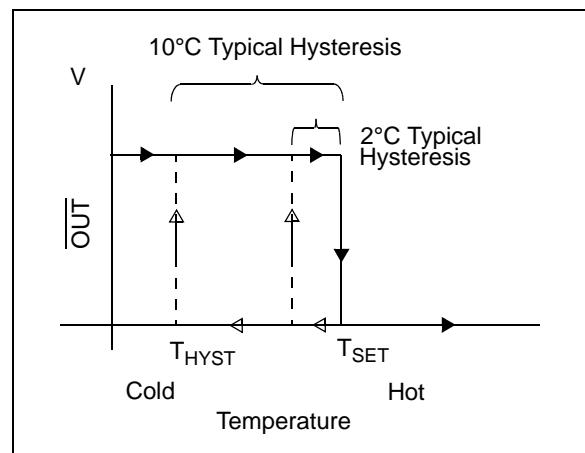


FIGURE 4-3: Output Hysteresis.

MCP9509/10

4.4 Sensor Hot/Cold Options

MCP9509/10 is available with Hot (H) and Cold (C) options. The MCP9509/10 Hot option detects rising temperature while the Cold option detects falling temperature. The output of the Hot option asserts when temperature rises above T_{SET} and de-asserts when temperature falls below T_{HYST} . The output of the Cold option asserts when temperature falls below T_{SET} and de-asserts when temperature rises above T_{HYST} .

For example, if $T_{SET} = 100^{\circ}\text{C}$ for Hot option (Active-Low Configuration, $HYST = V_{DD}$), output asserts Low when temperature is greater than $100^{\circ}\text{C} \pm T_{ACY}$. The output de-asserts High when temperature is below 90°C . For the Cold option, output asserts Low when temperature is less than $100^{\circ}\text{C} \pm T_{ACY}$, and de-asserts when temperature is greater than 110°C . This operation is shown graphically in [Figure 4-4](#).

4.5 R_{SET} vs. Temperature

The relation between the user selectable external resistor R_{SET} and the output trigger threshold limit T_{SET} is described as shown in **EQUATION 4-1: “ T_{SET} to R_{set} conversion”** and **EQUATION 4-2: “ R_{SET} to T_{set} conversion”**. The equation coefficients vary depending on the device output options, H or C. [Table 4-1](#) shows the corresponding coefficients.

TABLE 4-1: COEFFICIENTS/VARIABLES

| Coef. | MCP9509/10H | MCP9509/10C | Units |
|----------|-------------|-------------|--|
| C_{R1} | -9.84 | -10.00 | $10^{-6}\text{k}\Omega^{\circ}\text{C}^3$ |
| C_{R2} | 3.355 | 3.345 | $10^{-3}\text{k}\Omega^{\circ}\text{C}^2$ |
| C_{R3} | -0.8648 | -0.8610 | $\text{k}\Omega^{\circ}\text{C}$ |
| C_{T1} | -20.00 | -19.7 | $10^{-6}^{\circ}\text{C}/\text{k}\Omega^3$ |
| C_{T2} | 4.136 | 4.179 | $10^{-3}^{\circ}\text{C}/\text{k}\Omega^2$ |
| C_{T3} | -1.1564 | -1.1617 | $^{\circ}\text{C}/\text{k}\Omega$ |
| R_1 | 94.1 | 95.1 | $\text{k}\Omega$ |
| R_2 | 145.5 | 146.3 | $\text{k}\Omega$ |
| R_3 | 2.77 | 4.25 | $\text{k}\Omega$ |
| T_1 | -40.0 | | $^{\circ}\text{C}$ |
| T_2 | 125.0 | | $^{\circ}\text{C}$ |

EQUATION 4-1: T_{SET} TO R_{SET} CONVERSION

$$R_{SET} = C_{R1}T_{SET}(T_{SET}-T_1)(T_{SET}-T_2) + C_{R2}(T_{SET}-T_1)(T_{SET}-T_2) + C_{R3}(T_{SET}-T_1) + R_2$$

Where:

$$\begin{aligned} C_{R1,2,3} &= \text{1st, 2nd and 3rd order Temperature to Resistance Conversion Coefficients (Table 4-1)} \\ R_2 &= \text{Resistance (Table 4-1)} \\ T_{1,2} &= \text{Temperature (Table 4-1)} \end{aligned}$$

EQUATION 4-2: R_{SET} TO T_{SET} CONVERSION

$$T_{SET} = C_{T1}(R_{SET}-R_1)(R_{SET}-R_2)(R_{SET}-R_3) + C_{T2}(R_{SET}-R_3)(R_{SET}-R_2) + C_{T3}(R_{SET}-R_2) + T_1$$

Where:

$$\begin{aligned} C_{C1,2,3} &= \text{1st, 2nd and 3rd order Resistance to Temperature Conversion Coefficients (Table 4-1)} \\ R_{1,2,3} &= \text{Resistance (Table 4-1)} \\ T_1 &= \text{Temperature (Table 4-1)} \end{aligned}$$

The equations can be used to determine the external resistance value for a specified temperature threshold or threshold value for a specified resistance. [Table 4-2](#) and [Table 4-3](#) show a look-up table which can be used to easily identify the T_{SET} to R_{SET} relation for Hot and Cold options.

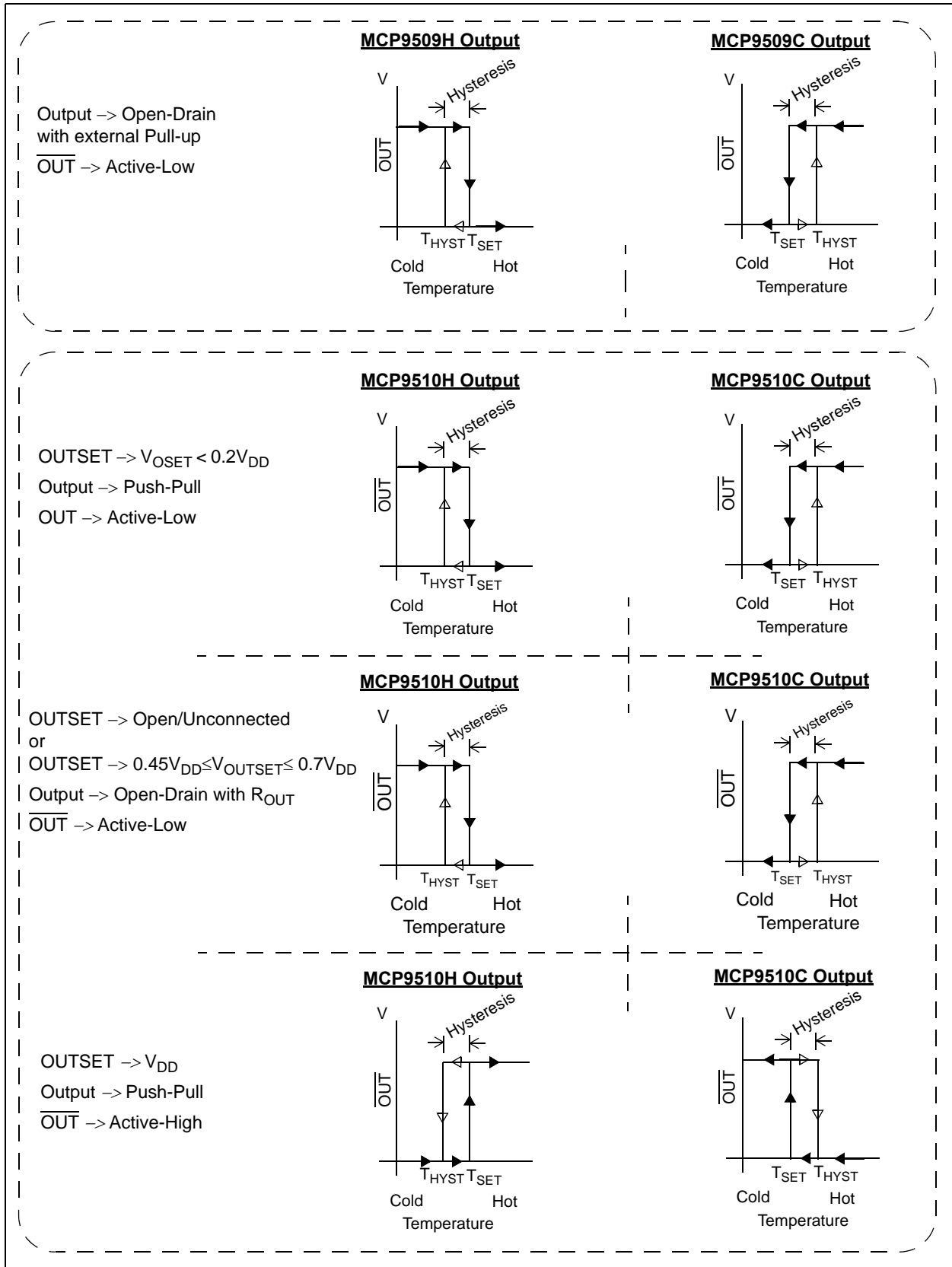


FIGURE 4-4: MCP9509/10 $\overline{\text{OUT}}/\text{OUT}$ Output Configuration.

MCP9509/10

TABLE 4-2: T_{SET} TO R_{SET} CONVERSION TABLE FOR MCP9509/MCP9510H (HOT)

| T _{SET} (°C) | R _{SET} (kΩ) | T _{SET} (°C) | R _{SET} (kΩ) | T _{SET} (°C) | R _{SET} (kΩ) | T _{SET} (°C) | R _{SET} (kΩ) | T _{SET} (°C) | R _{SET} (kΩ) | T _{SET} (°C) | R _{SET} (kΩ) | T _{SET} (°C) | R _{SET} (kΩ) | T _{SET} (°C) | R _{SET} (kΩ) | T _{SET} (°C) | R _{SET} (kΩ) |
|--------------------------|--------------------------|--------------------------|--------------------------|--------------------------|--------------------------|--------------------------|--------------------------|--------------------------|--------------------------|--------------------------|--------------------------|--------------------------|--------------------------|--------------------------|--------------------------|--------------------------|--------------------------|
| -40.0 | 145.5 | -20.0 | 117.9 | 0.0 | 94.1 | 20.0 | 73.7 | 40.0 | 56.2 | 60.0 | 41.1 | 80.0 | 27.9 | 100.0 | 16.1 | 120.0 | 5.4 |
| -39.5 | 144.8 | -19.5 | 117.3 | 0.5 | 93.6 | 20.5 | 73.2 | 40.5 | 55.8 | 60.5 | 40.7 | 80.5 | 27.5 | 100.5 | 15.9 | 120.5 | 5.1 |
| -39.0 | 144.0 | -19.0 | 116.6 | 1.0 | 93.0 | 21.0 | 72.8 | 41.0 | 55.4 | 61.0 | 40.3 | 81.0 | 27.2 | 101.0 | 15.6 | 121.0 | 4.9 |
| -38.5 | 143.3 | -18.5 | 116.0 | 1.5 | 92.5 | 21.5 | 72.3 | 41.5 | 55.0 | 61.5 | 40.0 | 81.5 | 26.9 | 101.5 | 15.3 | 121.5 | 4.6 |
| -38.0 | 142.6 | -18.0 | 115.4 | 2.0 | 91.9 | 22.0 | 71.8 | 42.0 | 54.6 | 62.0 | 39.7 | 82.0 | 26.6 | 102.0 | 15.0 | 122.0 | 4.4 |
| -37.5 | 141.8 | -17.5 | 114.7 | 2.5 | 91.4 | 22.5 | 71.4 | 42.5 | 54.2 | 62.5 | 39.3 | 82.5 | 26.3 | 102.5 | 14.7 | 122.5 | 4.1 |
| -37.0 | 141.1 | -17.0 | 114.1 | 3.0 | 90.9 | 23.0 | 70.9 | 43.0 | 53.8 | 63.0 | 39.0 | 83.0 | 26.0 | 103.0 | 14.5 | 123.0 | 3.8 |
| -36.5 | 140.4 | -16.5 | 113.5 | 3.5 | 90.3 | 23.5 | 70.5 | 43.5 | 53.4 | 63.5 | 38.6 | 83.5 | 25.7 | 103.5 | 14.2 | 123.5 | 3.6 |
| -36.0 | 139.7 | -16.0 | 112.9 | 4.0 | 89.8 | 24.0 | 70.0 | 44.0 | 53.0 | 64.0 | 38.3 | 84.0 | 25.4 | 104.0 | 13.9 | 124.0 | 3.3 |
| -35.5 | 138.9 | -15.5 | 112.2 | 4.5 | 89.3 | 24.5 | 69.5 | 44.5 | 52.6 | 64.5 | 37.9 | 84.5 | 25.1 | 104.5 | 13.6 | 124.5 | 3.1 |
| -35.0 | 138.2 | -15.0 | 111.6 | 5.0 | 88.7 | 25.0 | 69.1 | 45.0 | 52.2 | 65.0 | 37.6 | 85.0 | 24.8 | 105.0 | 13.4 | 125.0 | 2.8 |
| -34.5 | 137.5 | -14.5 | 111.0 | 5.5 | 88.2 | 25.5 | 68.6 | 45.5 | 51.8 | 65.5 | 37.2 | 85.5 | 24.5 | 105.5 | 13.1 | | |
| -34.0 | 136.8 | -14.0 | 110.4 | 6.0 | 87.7 | 26.0 | 68.2 | 46.0 | 51.4 | 66.0 | 36.9 | 86.0 | 24.2 | 106.0 | 12.8 | | |
| -33.5 | 136.1 | -13.5 | 109.8 | 6.5 | 87.2 | 26.5 | 67.7 | 46.5 | 51.0 | 66.5 | 36.6 | 86.5 | 23.9 | 106.5 | 12.6 | | |
| -33.0 | 135.4 | -13.0 | 109.2 | 7.0 | 86.6 | 27.0 | 67.3 | 47.0 | 50.6 | 67.0 | 36.2 | 87.0 | 23.6 | 107.0 | 12.3 | | |
| -32.5 | 134.7 | -12.5 | 108.6 | 7.5 | 86.1 | 27.5 | 66.8 | 47.5 | 50.2 | 67.5 | 35.9 | 87.5 | 23.3 | 107.5 | 12.0 | | |
| -32.0 | 134.0 | -12.0 | 108.0 | 8.0 | 85.6 | 28.0 | 66.4 | 48.0 | 49.9 | 68.0 | 35.6 | 88.0 | 23.0 | 108.0 | 11.7 | | |
| -31.5 | 133.3 | -11.5 | 107.4 | 8.5 | 85.1 | 28.5 | 65.9 | 48.5 | 49.5 | 68.5 | 35.2 | 88.5 | 22.7 | 108.5 | 11.5 | | |
| -31.0 | 132.6 | -11.0 | 106.8 | 9.0 | 84.6 | 29.0 | 65.5 | 49.0 | 49.1 | 69.0 | 34.9 | 89.0 | 22.4 | 109.0 | 11.2 | | |
| -30.5 | 131.9 | -10.5 | 106.2 | 9.5 | 84.0 | 29.5 | 65.1 | 49.5 | 48.7 | 69.5 | 34.6 | 89.5 | 22.1 | 109.5 | 10.9 | | |
| -30.0 | 131.2 | -10.0 | 105.6 | 10.0 | 83.5 | 30.0 | 64.6 | 50.0 | 48.3 | 70.0 | 34.2 | 90.0 | 21.8 | 110.0 | 10.7 | | |
| -29.5 | 130.5 | -9.5 | 105.0 | 10.5 | 83.0 | 30.5 | 64.2 | 50.5 | 48.0 | 70.5 | 33.9 | 90.5 | 21.5 | 110.5 | 10.4 | | |
| -29.0 | 129.8 | -9.0 | 104.4 | 11.0 | 82.5 | 31.0 | 63.7 | 51.0 | 47.6 | 71.0 | 33.6 | 91.0 | 21.3 | 111.0 | 10.1 | | |
| -28.5 | 129.1 | -8.5 | 103.8 | 11.5 | 82.0 | 31.5 | 63.3 | 51.5 | 47.2 | 71.5 | 33.3 | 91.5 | 21.0 | 111.5 | 9.9 | | |
| -28.0 | 128.5 | -8.0 | 103.2 | 12.0 | 81.5 | 32.0 | 62.9 | 52.0 | 46.8 | 72.0 | 32.9 | 92.0 | 20.7 | 112.0 | 9.6 | | |
| -27.5 | 127.8 | -7.5 | 102.6 | 12.5 | 81.0 | 32.5 | 62.4 | 52.5 | 46.5 | 72.5 | 32.6 | 92.5 | 20.4 | 112.5 | 9.3 | | |
| -27.0 | 127.1 | -7.0 | 102.0 | 13.0 | 80.5 | 33.0 | 62.0 | 53.0 | 46.1 | 73.0 | 32.3 | 93.0 | 20.1 | 113.0 | 9.1 | | |
| -26.5 | 126.4 | -6.5 | 101.5 | 13.5 | 80.0 | 33.5 | 61.6 | 53.5 | 45.7 | 73.5 | 32.0 | 93.5 | 19.8 | 113.5 | 8.8 | | |
| -26.0 | 125.8 | -6.0 | 100.9 | 14.0 | 79.5 | 34.0 | 61.2 | 54.0 | 45.4 | 74.0 | 31.6 | 94.0 | 19.5 | 114.0 | 8.5 | | |
| -25.5 | 125.1 | -5.5 | 100.3 | 14.5 | 79.0 | 34.5 | 60.7 | 54.5 | 45.0 | 74.5 | 31.3 | 94.5 | 19.2 | 114.5 | 8.3 | | |
| -25.0 | 124.4 | -5.0 | 99.7 | 15.0 | 78.5 | 35.0 | 60.3 | 55.0 | 44.6 | 75.0 | 31.0 | 95.0 | 19.0 | 115.0 | 8.0 | | |
| -24.5 | 123.8 | -4.5 | 99.2 | 15.5 | 78.0 | 35.5 | 59.9 | 55.5 | 44.3 | 75.5 | 30.7 | 95.5 | 18.7 | 115.5 | 7.7 | | |
| -24.0 | 123.1 | -4.0 | 98.6 | 16.0 | 77.6 | 36.0 | 59.5 | 56.0 | 43.9 | 76.0 | 30.4 | 96.0 | 18.4 | 116.0 | 7.5 | | |
| -23.5 | 122.4 | -3.5 | 98.0 | 16.5 | 77.1 | 36.5 | 59.1 | 56.5 | 43.5 | 76.5 | 30.0 | 96.5 | 18.1 | 116.5 | 7.2 | | |
| -23.0 | 121.8 | -3.0 | 97.5 | 17.0 | 76.6 | 37.0 | 58.6 | 57.0 | 43.2 | 77.0 | 29.7 | 97.0 | 17.8 | 117.0 | 7.0 | | |
| -22.5 | 121.1 | -2.5 | 96.9 | 17.5 | 76.1 | 37.5 | 58.2 | 57.5 | 42.8 | 77.5 | 29.4 | 97.5 | 17.5 | 117.5 | 6.7 | | |
| -22.0 | 120.5 | -2.0 | 96.4 | 18.0 | 75.6 | 38.0 | 57.8 | 58.0 | 42.5 | 78.0 | 29.1 | 98.0 | 17.2 | 118.0 | 6.4 | | |
| -21.5 | 119.8 | -1.5 | 95.8 | 18.5 | 75.1 | 38.5 | 57.4 | 58.5 | 42.1 | 78.5 | 28.8 | 98.5 | 17.0 | 118.5 | 6.2 | | |
| -21.0 | 119.2 | -1.0 | 95.2 | 19.0 | 74.7 | 39.0 | 57.0 | 59.0 | 41.8 | 79.0 | 28.5 | 99.0 | 16.7 | 119.0 | 5.9 | | |
| -20.5 | 118.5 | -0.5 | 94.7 | 19.5 | 74.2 | 39.5 | 56.6 | 59.5 | 41.4 | 79.5 | 28.2 | 99.5 | 16.4 | 119.5 | 5.7 | | |
| -20.0 | 117.9 | 0.0 | 94.1 | 20.0 | 73.7 | 40.0 | 56.2 | 60.0 | 41.1 | 80.0 | 27.9 | 100.0 | 16.1 | 120.0 | 5.4 | | |

TABLE 4-3: T_{SET} TO R_{SET} CONVERSION TABLE FOR MCP9509/MCP9510C (COLD)

| T _{SET} (°C) | R _{SET} (kΩ) | T _{SET} (°C) | R _{SET} (kΩ) | T _{SET} (°C) | R _{SET} (kΩ) | T _{SET} (°C) | R _{SET} (kΩ) | T _{SET} (°C) | R _{SET} (kΩ) | T _{SET} (°C) | R _{SET} (kΩ) | T _{SET} (°C) | R _{SET} (kΩ) | T _{SET} (°C) | R _{SET} (kΩ) | T _{SET} (°C) | R _{SET} (kΩ) |
|--------------------------|--------------------------|--------------------------|--------------------------|--------------------------|--------------------------|--------------------------|--------------------------|--------------------------|--------------------------|--------------------------|--------------------------|--------------------------|--------------------------|--------------------------|--------------------------|--------------------------|--------------------------|
| -40.0 | 146.3 | -20.0 | 118.8 | 0.0 | 95.1 | 20.0 | 74.8 | 40.0 | 57.4 | 60.0 | 42.4 | 80.0 | 29.2 | 100.0 | 17.6 | 120.0 | 6.8 |
| -39.5 | 145.6 | -19.5 | 118.2 | 0.5 | 94.6 | 20.5 | 74.4 | 40.5 | 57.0 | 60.5 | 42.0 | 80.5 | 28.9 | 100.5 | 17.3 | 120.5 | 6.6 |
| -39.0 | 144.8 | -19.0 | 117.5 | 1.0 | 94.0 | 21.0 | 73.9 | 41.0 | 56.6 | 61.0 | 41.7 | 81.0 | 28.6 | 101.0 | 17.0 | 121.0 | 6.3 |
| -38.5 | 144.1 | -18.5 | 116.9 | 1.5 | 93.5 | 21.5 | 73.4 | 41.5 | 56.2 | 61.5 | 41.3 | 81.5 | 28.3 | 101.5 | 16.7 | 121.5 | 6.0 |
| -38.0 | 143.4 | -18.0 | 116.3 | 2.0 | 93.0 | 22.0 | 73.0 | 42.0 | 55.8 | 62.0 | 41.0 | 82.0 | 28.0 | 102.0 | 16.4 | 122.0 | 5.8 |
| -37.5 | 142.6 | -17.5 | 115.6 | 2.5 | 92.4 | 22.5 | 72.5 | 42.5 | 55.4 | 62.5 | 40.6 | 82.5 | 27.7 | 102.5 | 16.2 | 122.5 | 5.5 |
| -37.0 | 141.9 | -17.0 | 115.0 | 3.0 | 91.9 | 23.0 | 72.0 | 43.0 | 55.0 | 63.0 | 40.3 | 83.0 | 27.4 | 103.0 | 15.9 | 123.0 | 5.3 |
| -36.5 | 141.2 | -16.5 | 114.4 | 3.5 | 91.4 | 23.5 | 71.6 | 43.5 | 54.6 | 63.5 | 39.9 | 83.5 | 27.1 | 103.5 | 15.6 | 123.5 | 5.0 |
| -36.0 | 140.5 | -16.0 | 113.8 | 4.0 | 90.8 | 24.0 | 71.1 | 44.0 | 54.2 | 64.0 | 39.6 | 84.0 | 26.8 | 104.0 | 15.3 | 124.0 | 4.8 |
| -35.5 | 139.8 | -15.5 | 113.2 | 4.5 | 90.3 | 24.5 | 70.7 | 44.5 | 53.8 | 64.5 | 39.3 | 84.5 | 26.5 | 104.5 | 15.1 | 124.5 | 4.5 |
| -35.0 | 139.0 | -15.0 | 112.5 | 5.0 | 89.8 | 25.0 | 70.2 | 45.0 | 53.4 | 65.0 | 38.9 | 85.0 | 26.2 | 105.0 | 14.8 | 125.0 | 4.2 |
| -34.5 | 138.3 | -14.5 | 111.9 | 5.5 | 89.2 | 25.5 | 69.8 | 45.5 | 53.0 | 65.5 | 38.6 | 85.5 | 25.9 | 105.5 | 14.5 | | |
| -34.0 | 137.6 | -14.0 | 111.3 | 6.0 | 88.7 | 26.0 | 69.3 | 46.0 | 52.7 | 66.0 | 38.2 | 86.0 | 25.6 | 106.0 | 14.3 | | |
| -33.5 | 136.9 | -13.5 | 110.7 | 6.5 | 88.2 | 26.5 | 68.9 | 46.5 | 52.3 | 66.5 | 37.9 | 86.5 | 25.3 | 106.5 | 14.0 | | |
| -33.0 | 136.2 | -13.0 | 110.1 | 7.0 | 87.7 | 27.0 | 68.4 | 47.0 | 51.9 | 67.0 | 37.6 | 87.0 | 25.0 | 107.0 | 13.7 | | |
| -32.5 | 135.5 | -12.5 | 109.5 | 7.5 | 87.2 | 27.5 | 68.0 | 47.5 | 51.5 | 67.5 | 37.2 | 87.5 | 24.7 | 107.5 | 13.4 | | |
| -32.0 | 134.8 | -12.0 | 108.9 | 8.0 | 86.6 | 28.0 | 67.5 | 48.0 | 51.1 | 68.0 | 36.9 | 88.0 | 24.4 | 108.0 | 13.2 | | |
| -31.5 | 134.1 | -11.5 | 108.3 | 8.5 | 86.1 | 28.5 | 67.1 | 48.5 | 50.7 | 68.5 | 36.6 | 88.5 | 24.1 | 108.5 | 12.9 | | |
| -31.0 | 133.4 | -11.0 | 107.7 | 9.0 | 85.6 | 29.0 | 66.7 | 49.0 | 50.4 | 69.0 | 36.2 | 89.0 | 23.8 | 109.0 | 12.6 | | |
| -30.5 | 132.7 | -10.5 | 107.1 | 9.5 | 85.1 | 29.5 | 66.2 | 49.5 | 50.0 | 69.5 | 35.9 | 89.5 | 23.5 | 109.5 | 12.4 | | |
| -30.0 | 132.0 | -10.0 | 106.5 | 10.0 | 84.6 | 30.0 | 65.8 | 50.0 | 49.6 | 70.0 | 35.6 | 90.0 | 23.2 | 110.0 | 12.1 | | |
| -29.5 | 131.4 | -9.5 | 105.9 | 10.5 | 84.1 | 30.5 | 65.3 | 50.5 | 49.2 | 70.5 | 35.3 | 90.5 | 23.0 | 110.5 | 11.8 | | |
| -29.0 | 130.7 | -9.0 | 105.3 | 11.0 | 83.6 | 31.0 | 64.9 | 51.0 | 48.9 | 71.0 | 34.9 | 91.0 | 22.7 | 111.0 | 11.6 | | |
| -28.5 | 130.0 | -8.5 | 104.8 | 11.5 | 83.1 | 31.5 | 64.5 | 51.5 | 48.5 | 71.5 | 34.6 | 91.5 | 22.4 | 111.5 | 11.3 | | |
| -28.0 | 129.3 | -8.0 | 104.2 | 12.0 | 82.6 | 32.0 | 64.1 | 52.0 | 48.1 | 72.0 | 34.3 | 92.0 | 22.1 | 112.0 | 11.0 | | |
| -27.5 | 128.6 | -7.5 | 103.6 | 12.5 | 82.1 | 32.5 | 63.6 | 52.5 | 47.7 | 72.5 | 34.0 | 92.5 | 21.8 | 112.5 | 10.8 | | |
| -27.0 | 128.0 | -7.0 | 103.0 | 13.0 | 81.6 | 33.0 | 63.2 | 53.0 | 47.4 | 73.0 | 33.6 | 93.0 | 21.5 | 113.0 | 10.5 | | |
| -26.5 | 127.3 | -6.5 | 102.4 | 13.5 | 81.1 | 33.5 | 62.8 | 53.5 | 47.0 | 73.5 | 33.3 | 93.5 | 21.2 | 113.5 | 10.2 | | |
| -26.0 | 126.6 | -6.0 | 101.9 | 14.0 | 80.6 | 34.0 | 62.4 | 54.0 | 46.6 | 74.0 | 33.0 | 94.0 | 20.9 | 114.0 | 10.0 | | |
| -25.5 | 126.0 | -5.5 | 101.3 | 14.5 | 80.1 | 34.5 | 61.9 | 54.5 | 46.3 | 74.5 | 32.7 | 94.5 | 20.7 | 114.5 | 9.7 | | |
| -25.0 | 125.3 | -5.0 | 100.7 | 15.0 | 79.6 | 35.0 | 61.5 | 55.0 | 45.9 | 75.0 | 32.4 | 95.0 | 20.4 | 115.0 | 9.4 | | |
| -24.5 | 124.6 | -4.5 | 100.1 | 15.5 | 79.1 | 35.5 | 61.1 | 55.5 | 45.6 | 75.5 | 32.0 | 95.5 | 20.1 | 115.5 | 9.2 | | |
| -24.0 | 124.0 | -4.0 | 99.6 | 16.0 | 78.6 | 36.0 | 60.7 | 56.0 | 45.2 | 76.0 | 31.7 | 96.0 | 19.8 | 116.0 | 8.9 | | |
| -23.5 | 123.3 | -3.5 | 99.0 | 16.5 | 78.2 | 36.5 | 60.3 | 56.5 | 44.8 | 76.5 | 31.4 | 96.5 | 19.5 | 116.5 | 8.7 | | |
| -23.0 | 122.7 | -3.0 | 98.5 | 17.0 | 77.7 | 37.0 | 59.8 | 57.0 | 44.5 | 77.0 | 31.1 | 97.0 | 19.2 | 117.0 | 8.4 | | |
| -22.5 | 122.0 | -2.5 | 97.9 | 17.5 | 77.2 | 37.5 | 59.4 | 57.5 | 44.1 | 77.5 | 30.8 | 97.5 | 19.0 | 117.5 | 8.1 | | |
| -22.0 | 121.4 | -2.0 | 97.3 | 18.0 | 76.7 | 38.0 | 59.0 | 58.0 | 43.8 | 78.0 | 30.5 | 98.0 | 18.7 | 118.0 | 7.9 | | |
| -21.5 | 120.7 | -1.5 | 96.8 | 18.5 | 76.2 | 38.5 | 58.6 | 58.5 | 43.4 | 78.5 | 30.2 | 98.5 | 18.4 | 118.5 | 7.6 | | |
| -21.0 | 120.1 | -1.0 | 96.2 | 19.0 | 75.8 | 39.0 | 58.2 | 59.0 | 43.1 | 79.0 | 29.9 | 99.0 | 18.1 | 119.0 | 7.3 | | |
| -20.5 | 119.4 | -0.5 | 95.7 | 19.5 | 75.3 | 39.5 | 57.8 | 59.5 | 42.7 | 79.5 | 29.5 | 99.5 | 17.8 | 119.5 | 7.1 | | |
| -20.0 | 118.8 | 0.0 | 95.1 | 20.0 | 74.8 | 40.0 | 57.4 | 60.0 | 42.4 | 80.0 | 29.2 | 100.0 | 17.6 | 120.0 | 6.8 | | |

MCP9509/10

4.6 Application Information

The MCP9509/10 temperature switch integrates a temperature sensor and a comparator circuit which outputs an alert signal when the user programmed temperature threshold is exceeded. The external resistor value to set the output threshold can be determined using [Table 4-2](#). A constant current source $I_{SET} = 5 \mu A$ (typical) biases the external resistor R_{SET} . A thermal diode is used to measure ambient temperature. When the voltage across the thermal diode exceeds the voltage across R_{SET} , V_{SET} , the sensor output asserts. The sensor output de-asserts when the diode voltage drops below V_{SET} and the user selected hysteresis level.

The MCP9509/10 provide Open-drain output where multiple sensors from multiple PCB hot-spots can be connected to a single processor I/O input with a wired-Or Configuration. The MCP9509 requires an external pull-up resistor which can be used to level-shift the alert signal. For example, if the sensors are powered with $5V_{DD}$ and the controller or processor is powered with $3V_{DD}$, the external resistor can be level-shifted by connecting $3V_{DD}$ to the pull-up resistor as shown in [Figure 4-5](#). The MCP9510 eliminates the need for an external resistor while providing wired-Or function ([Figure 4-6](#)). The MCP9510 also provides push-pull output configuration for a direct connection to the processor with Active-Low or Active-High assert polarities.

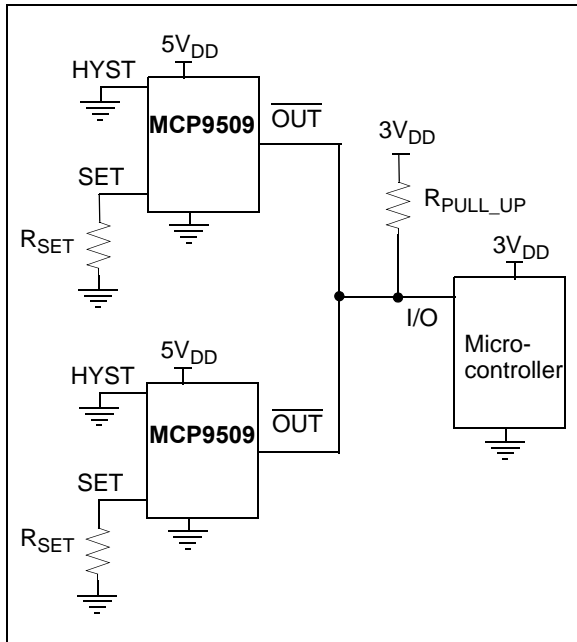


FIGURE 4-5: MCP9509 Wired-Or Output Configuration with Level-shift.

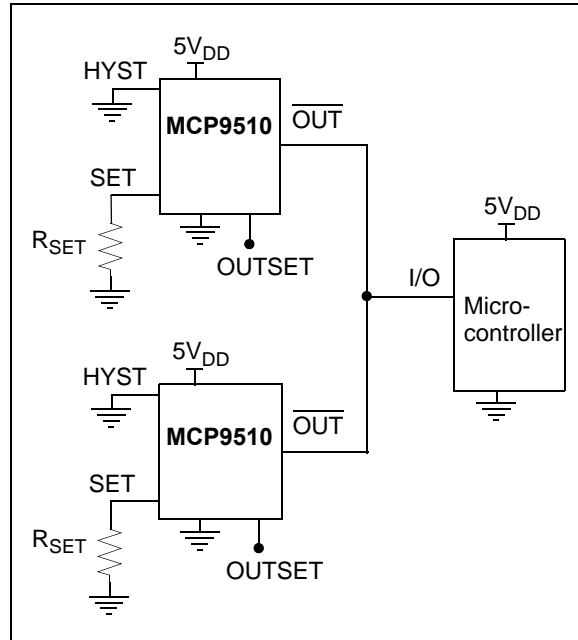


FIGURE 4-6: MCP9510 Wired-Or Output Configuration with Internal Pull-up Resistor.

4.6.1 LAYOUT CONSIDERATION AND THERMAL CONSIDERATION

This family of sensors measure temperature by monitoring the voltage level of a thermal diode located in the die. A low-impedance thermal path between the die and the PCB is provided by the pins. Therefore, the sensor effectively monitors PCB temperature. For efficient performance, it is recommended to layout the device as close to the heat source as possible. It is also recommended to use a de-coupling capacitor of $0.1 \mu F$ to $1 \mu F$ between V_{DD} and GND pins for stability.

When connecting an external resistor to the MCP9509 device, the current through the pull-up resistor must be considered to prevent self-heat due to power. This can be determined using [Equation 4-3](#).

EQUATION 4-3: EFFECT OF SELF-HEATING

$$T_J - T_A = \theta_{JA} (V_{DD} \times I_{DD} + V_{OL} \times I_{OUT})$$

Where:

| | | |
|---------------|---|--|
| T_J | = | Junction Temperature |
| T_A | = | Ambient Temperature |
| θ_{JA} | = | Package Thermal Resistance ($220.7 \text{ }^\circ\text{C/W}$) |
| V_{OL} | = | Sensor Output Low Voltage |
| I_{OUT} | = | Output Current |

For example, at room temperature, when output asserts Active-Low and maximum $I_{DD} = 50 \mu\text{A}$, $V_{DD} = 5.5\text{V}$, $V_{OL} = 0.3\text{V}$ and $I_{OUT} = 5 \text{mA}$ (see specification table), the self heating due to power dissipation ($T_J - T_A$) is $\sim 0.4^\circ\text{C}$.

4.6.2 DRIVING OUTSET WITH A MICROCONTROLLER I/O PIN

The OUTSET pin can be controlled using a Microcontroller input/output (I/O) pin. I/O levels HIGH and LOW provide push-pull configuration with Active-High and Active-Low outputs, respectively. The Open-Drain output with internal pull-up resistor can be selected by configuring the I/O pin as a High-Impedance Input. The Open-Drain output can also be selected by forcing voltage level V_{OSET} from a low impedance source. With this configuration, there may be some leakage current due to impedance mismatch, (See Figure 4-2).

4.6.3 POWER SUPPLY REJECTION

The MCP9509/10 family of sensors are designed to prevent false output trigger due to high frequency power supply or system noise. Figure 4-7 shows device performance with a high frequency signal added on V_{DD} . The output is not triggered due to the signal added on V_{DD} . With some applications, it is recommended to add a bypass capacitor of $0.1 \mu\text{F}$ to $1 \mu\text{F}$.

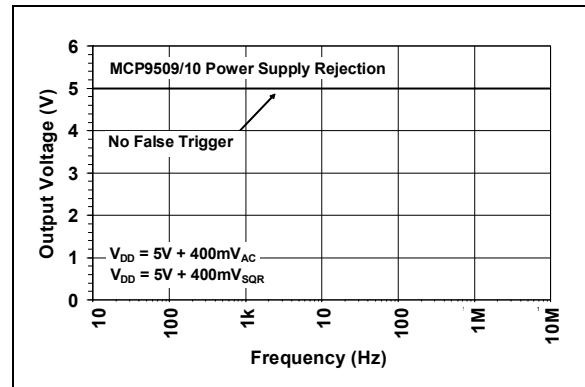


FIGURE 4-7: Power Supply Rejection (PSR).

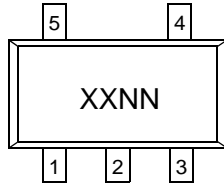
MCP9509/10

NOTES:

5.0 PACKAGING INFORMATION

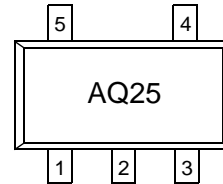
5.1 Package Marking Information

5-Lead SOT-23

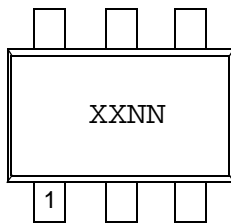


| Device | Code |
|----------------|------|
| MCP9509CT-E/OT | AQNN |
| MCP9509HT-E/OT | BPNN |

Example:

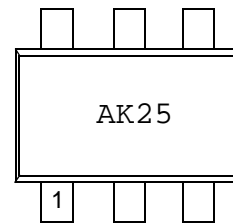


6-Lead SOT-23



| Part Number | Code |
|----------------|------|
| MCP9510CT-E/CH | AKNN |
| MCP9510HT-E/CH | ALNN |

Example



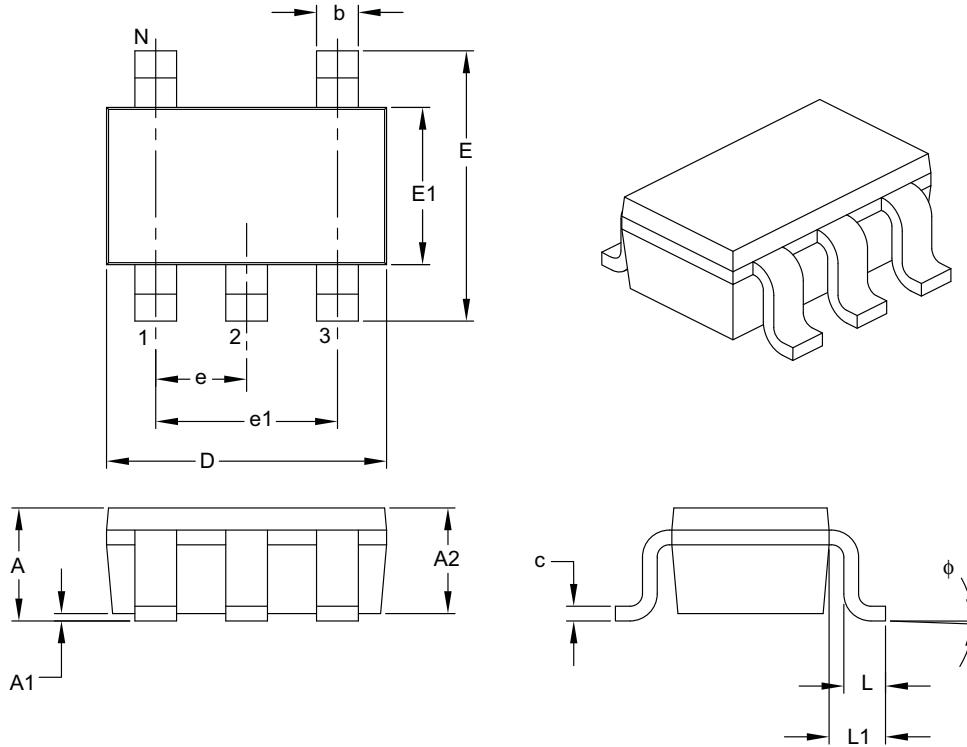
| | | |
|----------------|--------|--|
| Legend: | XX...X | Customer-specific information |
| | Y | Year code (last digit of calendar year) |
| | YY | Year code (last 2 digits of calendar year) |
| | WW | Week code (week of January 1 is week '01') |
| | NNN | Alphanumeric traceability code |
| | (e3) | Pb-free JEDEC designator for Matte Tin (Sn) |
| | * | This package is Pb-free. The Pb-free JEDEC designator (e3) can be found on the outer packaging for this package. |

Note: In the event the full Microchip part number cannot be marked on one line, it will be carried over to the next line, thus limiting the number of available characters for customer-specific information.

MCP9509/10

5-Lead Plastic Small Outline Transistor (OT) [SOT-23]

Note: For the most current package drawings, please see the Microchip Packaging Specification located at <http://www.microchip.com/packaging>



| Dimension Limits | Units | MILLIMETERS | | |
|--------------------------|--------|-------------|-----|------|
| | | MIN | NOM | MAX |
| Number of Pins | N | 5 | | |
| Lead Pitch | e | 0.95 BSC | | |
| Outside Lead Pitch | e1 | 1.90 BSC | | |
| Overall Height | A | 0.90 | – | 1.45 |
| Molded Package Thickness | A2 | 0.89 | – | 1.30 |
| Standoff | A1 | 0.00 | – | 0.15 |
| Overall Width | E | 2.20 | – | 3.20 |
| Molded Package Width | E1 | 1.30 | – | 1.80 |
| Overall Length | D | 2.70 | – | 3.10 |
| Foot Length | L | 0.10 | – | 0.60 |
| Footprint | L1 | 0.35 | – | 0.80 |
| Foot Angle | ϕ | 0° | – | 30° |
| Lead Thickness | c | 0.08 | – | 0.26 |
| Lead Width | b | 0.20 | – | 0.51 |

Notes:

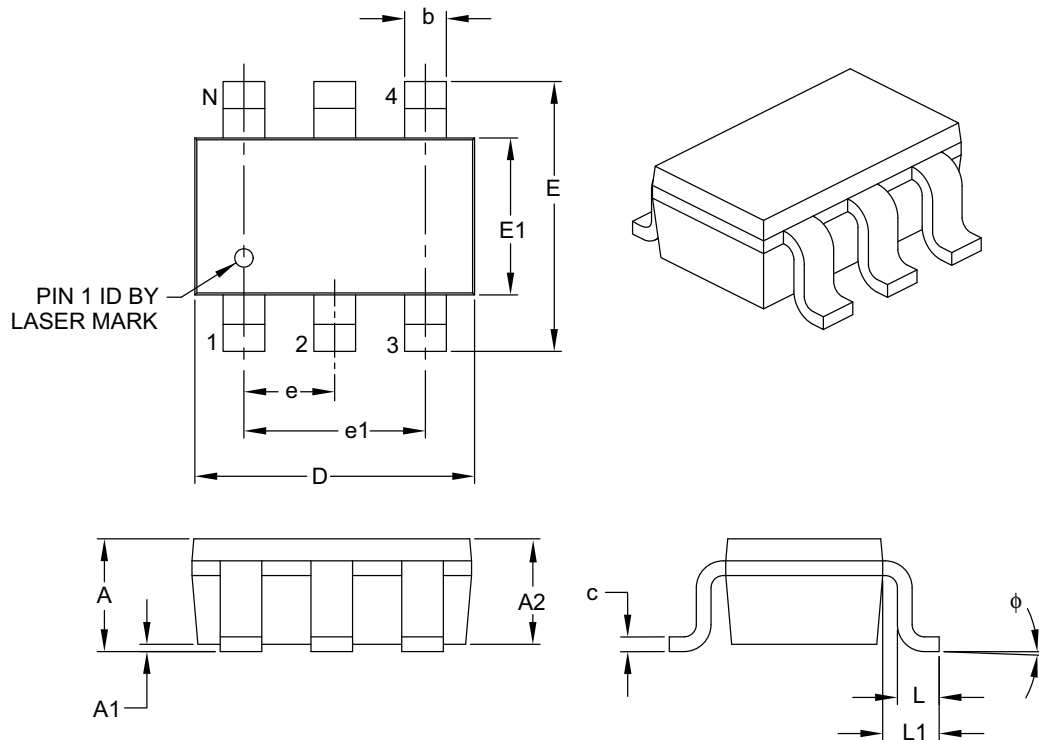
- Dimensions D and E1 do not include mold flash or protrusions. Mold flash or protrusions shall not exceed 0.127 mm per side.
- Dimensioning and tolerancing per ASME Y14.5M.

BSC: Basic Dimension. Theoretically exact value shown without tolerances.

Microchip Technology Drawing C04-091B

6-Lead Plastic Small Outline Transistor (CH) [SOT-23]

Note: For the most current package drawings, please see the Microchip Packaging Specification located at <http://www.microchip.com/packaging>



| Dimension Limits | Units | MILLIMETERS | | |
|--------------------------|--------|-------------|-----|------|
| | | MIN | NOM | MAX |
| Number of Pins | N | 6 | | |
| Pitch | e | 0.95 BSC | | |
| Outside Lead Pitch | e1 | 1.90 BSC | | |
| Overall Height | A | 0.90 | – | 1.45 |
| Molded Package Thickness | A2 | 0.89 | – | 1.30 |
| Standoff | A1 | 0.00 | – | 0.15 |
| Overall Width | E | 2.20 | – | 3.20 |
| Molded Package Width | E1 | 1.30 | – | 1.80 |
| Overall Length | D | 2.70 | – | 3.10 |
| Foot Length | L | 0.10 | – | 0.60 |
| Footprint | L1 | 0.35 | – | 0.80 |
| Foot Angle | ϕ | 0° | – | 30° |
| Lead Thickness | c | 0.08 | – | 0.26 |
| Lead Width | b | 0.20 | – | 0.51 |

Notes:

- Dimensions D and E1 do not include mold flash or protrusions. Mold flash or protrusions shall not exceed 0.127 mm per side.
- Dimensioning and tolerancing per ASME Y14.5M.

BSC: Basic Dimension. Theoretically exact value shown without tolerances.

Microchip Technology Drawing C04-028B

MCP9509/10

NOTES:

APPENDIX A: REVISION HISTORY

Revision A (November 2008)

- Original Release of this Document.

MCP9509/10

NOTES:

PRODUCT IDENTIFICATION SYSTEM

To order or obtain information, e.g., on pricing or delivery, refer to the factory or the listed sales office.

| <u>PART NO.</u> | <u>-X</u> | <u>/XX</u> |
|--------------------|---|------------|
| Device | Temperature Range | Package |
| Device: | MCP9509H: Resistor Programmable Temperature Switch, Hot Option | |
| | MCP9509C: Resistor Programmable Temperature Switch, Cold Option | |
| | MCP9510H: Resistor Programmable Temperature Switch, Hot Option | |
| | MCP9510C: Resistor Programmable Temperature Switch, Cold Option | |
| Temperature Range: | E = -40°C to +125°C | |
| Package: | CH = Plastic Small Outline Transistor (SOT-23), 6-lead (MCP9510 only) | |
| | OT = Plastic Small Outline Transistor (SOT-23), 5-lead (MCP9509) | |

Examples:

a) MCP9509CT-E/OT: Cold option, Extended Temp., 5LD SOT-23 package.

b) MCP9509HT-E/OT: Hot option, Extended Temp., 5LD SOT-23 package.

a) MCP9510C-E/CH: Cold option, Extended Temp., 6LD SOT-23 package.

b) MCP9510H-E/CH: Hot option, Extended Temp., 6LD SOT-23 package.

MCP9509/10

NOTES:

Note the following details of the code protection feature on Microchip devices:

- Microchip products meet the specification contained in their particular Microchip Data Sheet.
- Microchip believes that its family of products is one of the most secure families of its kind on the market today, when used in the intended manner and under normal conditions.
- There are dishonest and possibly illegal methods used to breach the code protection feature. All of these methods, to our knowledge, require using the Microchip products in a manner outside the operating specifications contained in Microchip's Data Sheets. Most likely, the person doing so is engaged in theft of intellectual property.
- Microchip is willing to work with the customer who is concerned about the integrity of their code.
- Neither Microchip nor any other semiconductor manufacturer can guarantee the security of their code. Code protection does not mean that we are guaranteeing the product as “unbreakable.”

Code protection is constantly evolving. We at Microchip are committed to continuously improving the code protection features of our products. Attempts to break Microchip's code protection feature may be a violation of the Digital Millennium Copyright Act. If such acts allow unauthorized access to your software or other copyrighted work, you may have a right to sue for relief under that Act.

Information contained in this publication regarding device applications and the like is provided only for your convenience and may be superseded by updates. It is your responsibility to ensure that your application meets with your specifications. MICROCHIP MAKES NO REPRESENTATIONS OR WARRANTIES OF ANY KIND WHETHER EXPRESS OR IMPLIED, WRITTEN OR ORAL, STATUTORY OR OTHERWISE, RELATED TO THE INFORMATION, INCLUDING BUT NOT LIMITED TO ITS CONDITION, QUALITY, PERFORMANCE, MERCHANTABILITY OR FITNESS FOR PURPOSE. Microchip disclaims all liability arising from this information and its use. Use of Microchip devices in life support and/or safety applications is entirely at the buyer's risk, and the buyer agrees to defend, indemnify and hold harmless Microchip from any and all damages, claims, suits, or expenses resulting from such use. No licenses are conveyed, implicitly or otherwise, under any Microchip intellectual property rights.

Trademarks

The Microchip name and logo, the Microchip logo, Accuron, dsPIC, KEELOQ, KEELOQ logo, MPLAB, PIC, PICmicro, PICSTART, rfPIC, SmartShunt and UNI/O are registered trademarks of Microchip Technology Incorporated in the U.S.A. and other countries.

FilterLab, Linear Active Thermistor, MXDEV, MXLAB, SEEVAL, SmartSensor and The Embedded Control Solutions Company are registered trademarks of Microchip Technology Incorporated in the U.S.A.

Analog-for-the-Digital Age, Application Maestro, CodeGuard, dsPICDEM, dsPICDEM.net, dsPICworks, dsSPEAK, ECAN, ECONOMONITOR, FanSense, In-Circuit Serial Programming, ICSP, ICEPIC, Mindi, MiWi, MPASM, MPLAB Certified logo, MPLIB, MPLINK, mTouch, PICkit, PICDEM, PICDEM.net, PICtail, PIC³² logo, PowerCal, PowerInfo, PowerMate, PowerTool, REAL ICE, rfLAB, Select Mode, Total Endurance, WiperLock and ZENA are trademarks of Microchip Technology Incorporated in the U.S.A. and other countries.

SQTP is a service mark of Microchip Technology Incorporated in the U.S.A.

All other trademarks mentioned herein are property of their respective companies.

© 2008, Microchip Technology Incorporated, Printed in the U.S.A., All Rights Reserved.

 Printed on recycled paper.

QUALITY MANAGEMENT SYSTEM
CERTIFIED BY DNV
== ISO/TS 16949:2002 ==

Microchip received ISO/TS-16949:2002 certification for its worldwide headquarters, design and wafer fabrication facilities in Chandler and Tempe, Arizona; Gresham, Oregon and design centers in California and India. The Company's quality system processes and procedures are for its PIC® MCUs and dsPIC® DSCs, KEELOQ® code hopping devices, Serial EEPROMs, microperipherals, nonvolatile memory and analog products. In addition, Microchip's quality system for the design and manufacture of development systems is ISO 9001:2000 certified.



WORLDWIDE SALES AND SERVICE

AMERICAS

Corporate Office

2355 West Chandler Blvd.
Chandler, AZ 85224-6199
Tel: 480-792-7200
Fax: 480-792-7277
Technical Support:
<http://support.microchip.com>
Web Address:
www.microchip.com

Atlanta

Duluth, GA
Tel: 678-957-9614
Fax: 678-957-1455

Boston

Westborough, MA
Tel: 774-760-0087
Fax: 774-760-0088

Chicago

Itasca, IL
Tel: 630-285-0071
Fax: 630-285-0075

Dallas

Addison, TX
Tel: 972-818-7423
Fax: 972-818-2924

Detroit

Farmington Hills, MI
Tel: 248-538-2250
Fax: 248-538-2260

Kokomo

Kokomo, IN
Tel: 765-864-8360
Fax: 765-864-8387

Los Angeles

Mission Viejo, CA
Tel: 949-462-9523
Fax: 949-462-9608

Santa Clara

Santa Clara, CA
Tel: 408-961-6444
Fax: 408-961-6445

Toronto

Mississauga, Ontario,
Canada
Tel: 905-673-0699
Fax: 905-673-6509

ASIA/PACIFIC

Asia Pacific Office

Suites 3707-14, 37th Floor
Tower 6, The Gateway
Harbour City, Kowloon
Hong Kong
Tel: 852-2401-1200
Fax: 852-2401-3431

Australia - Sydney

Tel: 61-2-9868-6733
Fax: 61-2-9868-6755

China - Beijing

Tel: 86-10-8528-2100
Fax: 86-10-8528-2104

China - Chengdu

Tel: 86-28-8665-5511
Fax: 86-28-8665-7889

China - Hong Kong SAR

Tel: 852-2401-1200
Fax: 852-2401-3431

China - Nanjing

Tel: 86-25-8473-2460
Fax: 86-25-8473-2470

China - Qingdao

Tel: 86-532-8502-7355
Fax: 86-532-8502-7205

China - Shanghai

Tel: 86-21-5407-5533
Fax: 86-21-5407-5066

China - Shenyang

Tel: 86-24-2334-2829
Fax: 86-24-2334-2393

China - Shenzhen

Tel: 86-755-8203-2660
Fax: 86-755-8203-1760

China - Wuhan

Tel: 86-27-5980-5300
Fax: 86-27-5980-5118

China - Xiamen

Tel: 86-592-2388138
Fax: 86-592-2388130

China - Xian

Tel: 86-29-8833-7252
Fax: 86-29-8833-7256

China - Zhuhai

Tel: 86-756-3210040
Fax: 86-756-3210049

ASIA/PACIFIC

India - Bangalore

Tel: 91-80-4182-8400
Fax: 91-80-4182-8422

India - New Delhi

Tel: 91-11-4160-8631
Fax: 91-11-4160-8632

India - Pune

Tel: 91-20-2566-1512
Fax: 91-20-2566-1513

Japan - Yokohama

Tel: 81-45-471- 6166
Fax: 81-45-471-6122

Korea - Daegu

Tel: 82-53-744-4301
Fax: 82-53-744-4302

Korea - Seoul

Tel: 82-2-554-7200
Fax: 82-2-558-5932 or
82-2-558-5934

Malaysia - Kuala Lumpur

Tel: 60-3-6201-9857
Fax: 60-3-6201-9859

Malaysia - Penang

Tel: 60-4-227-8870
Fax: 60-4-227-4068

Philippines - Manila

Tel: 63-2-634-9065
Fax: 63-2-634-9069

Singapore

Tel: 65-6334-8870
Fax: 65-6334-8850

Taiwan - Hsin Chu

Tel: 886-3-572-9526
Fax: 886-3-572-6459

Taiwan - Kaohsiung

Tel: 886-7-536-4818
Fax: 886-7-536-4803

Taiwan - Taipei

Tel: 886-2-2500-6610
Fax: 886-2-2508-0102

Thailand - Bangkok

Tel: 66-2-694-1351
Fax: 66-2-694-1350

EUROPE

Austria - Wels

Tel: 43-7242-2244-39
Fax: 43-7242-2244-393

Denmark - Copenhagen

Tel: 45-4450-2828
Fax: 45-4485-2829

France - Paris

Tel: 33-1-69-53-63-20
Fax: 33-1-69-30-90-79

Germany - Munich

Tel: 49-89-627-144-0
Fax: 49-89-627-144-44

Italy - Milan

Tel: 39-0331-742611
Fax: 39-0331-466781

Netherlands - Drunen

Tel: 31-416-690399
Fax: 31-416-690340

Spain - Madrid

Tel: 34-91-708-08-90
Fax: 34-91-708-08-91

UK - Wokingham

Tel: 44-118-921-5869
Fax: 44-118-921-5820