

KEELOQ[®] Crypto Read/Write Transponder Module

FEATURES

Security

- Two programmable 64-bit encryption keys
- 16/32-bit bi-directional challenge and response using one of two keys
- Programmable 32-bit serial number
- Three IFF encryption algorithms

Operating

- Selectable baud rate
- Anti-collision of multiple transponders
- Intelligent damping for high Q LC-circuits
- Asynchronous transponder communication

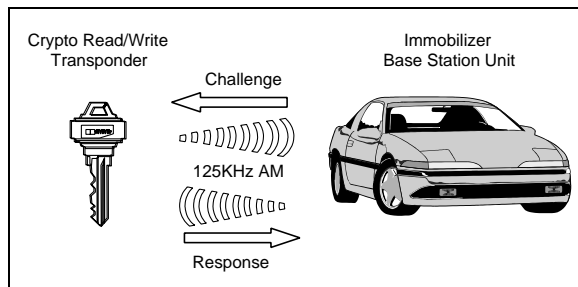
Other

- 64-bit user EEPROM

Typical Applications

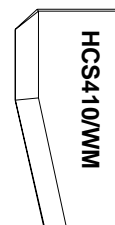
- Access control systems
- Automotive immobilizers
- Electronic door locks (Home/Office/Hotel)
- Burglar alarm systems
- Proximity access control

HCS410 IMMOBILIZER TRANSPONDER

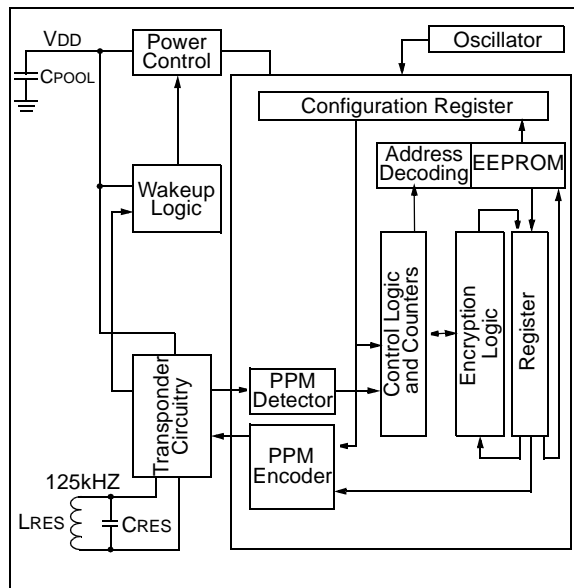


PACKAGE TYPES

SOT385



BLOCK DIAGRAM



GENERAL DESCRIPTION

The HCS410/WM is a transponder device designed for secure entry systems. The HCS410/WM utilizes bi-directional challenge-and-response for logical and physical access control.

The HCS410/WM integrates an LC-resonant circuit with the HCS410 silicon into a leadless SOT-385 package.

KEELOQ is a registered trademark of Microchip Technology, Inc.

Microchip's Secure Data Products are covered by some or all of the following patents:

Code hopping encoder patents issued in Europe, U.S.A., and R.S.A. — U.S.A.: 5,517,187; Europe: 0459781; R.S.A.: ZA93/4726

Secure learning patents issued in the U.S.A. and R.S.A. — U.S.A.: 5,686,904; R.S.A.: 95/5429

1.0 SYSTEM OVERVIEW

1.1 Key Terms

- **Anticollision** – Allows multiple transponders to be in the magnetic field simultaneously and be verified individually.
- **Encoder Key** – A unique 64-bit key generated and programmed into the encoder during the manufacturing process. The encoder key controls the encryption algorithm and is stored in EEPROM on the transponder device.
- **IFF** – Identify friend or foe is a means of validating a token. A decoder sends a random challenge to the token and checks that the response of the token is a valid response.
- **KEELOQ Encryption Algorithm** – The high security level of the HCS410/WM is based on the patented KEELOQ technology. A block cipher encryption algorithm based on a block length of 32 bits and a key length of 64 bits is used. The algorithm obscures the information in such a way that even if the unencrypted/challenge information differs by only one bit from the information in the previous challenge, the next coded response will be totally different. Statistically, if only one bit in the 32-bit string of information changes, approximately 50 percent of the coded transmission will change.
- **Learn** – The HCS product family facilitates several learning strategies to be implemented on the decoder.
- **Manufacturer's Code** – A 64-bit word, unique to each manufacturer, used to produce a unique encoder key in each transmitter (encoder).
- **Transport Code** – A 32-bit transport code needs to be given before the HCS410/WM can be inductively programmed. This prevents accidental programming of the HCS410.

1.2 KEELOQ IFF

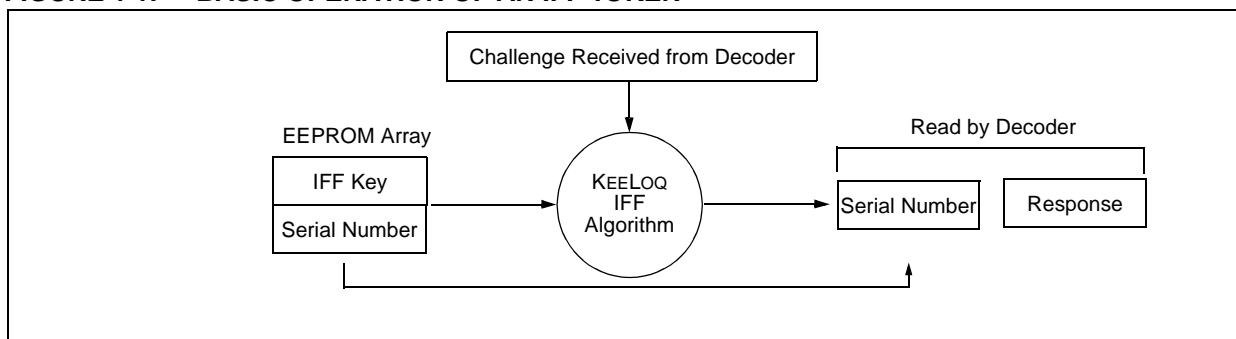
The HCS410/WM is an IFF transponder for verification of a token. In IFF mode the HCS410/WM is ideally suited for authentication of a key before disarming a vehicle immobilizer. Once the key has been inserted in the car's ignition the decoder would inductively poll the key, validating it before disarming the immobilizer.

IFF validation of the token involves a random challenge being sent by a decoder to a token. The token then generates a response to the challenge and sends this response to the decoder (Figure 1-1). The decoder calculates an expected response using the same challenge. The expected response is compared to the response received from the token. If the responses match, the token is identified as a valid token and the decoder can take appropriate action.

The HCS410/WM can do either 16 or 32-bit IFF. The HCS410/WM has two encryption algorithms that can be used to generate a response to a challenge. In addition there are up to two encoder keys that can be used by the HCS410/WM. Typically each HCS410/WM will be programmed with a unique encoder key(s).

In IFF mode, the HCS410/WM will wait for a command from the base station and respond to the command. The command can either request a read/write from user EEPROM or an IFF challenge response. A given 16 or 32-bit challenge will produce a unique 16/32-bit response, based on the IFF key and IFF algorithm used.

FIGURE 1-1: BASIC OPERATION OF AN IFF TOKEN

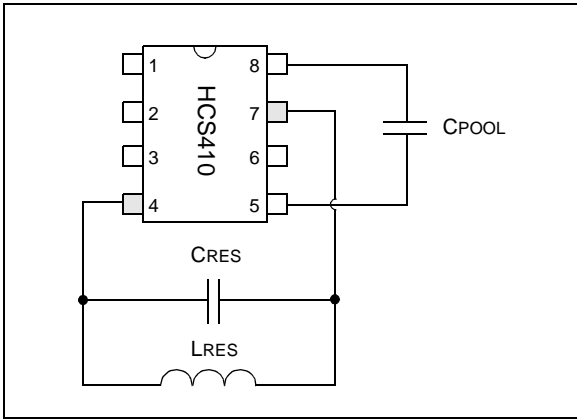


2.0 DEVICE DESCRIPTION

Figure 2-1 shows the internal components of the HCS410/WM. The resonant LC circuit has 2 functions:

- Inductive antenna for communications between the HCS410 and the base station
- Power source to charge the pool capacitor. The pool capacitor functions as a battery when the HCS410/WM is used.

FIGURE 2-1: TRANSPONDER CIRCUIT



3.0 DEVICE OPERATION

The user can perform an IFF validation, write to the user EEPROM and read from the user EEPROM. Each operation consists of the decoder sending an opcode and data while the HCS410/WM gives a response.

There are two IFF modes: IFF1 and IFF2. IFF1 allows only one key IFF, while IFF2 allows two keys to be used.

3.1 IFF Mode Activation

The HCS410/WM will enter IFF mode if the capacitor/inductor resonant circuit generates a voltage large enough so that the pool capacitor can power the device. After the verified application of power and elapse of the reset period, the device will start responding by pulsing the field with ACK pulses as shown in Figure 3-3. This action will continue until the pulse train is terminated by receiving a start signal of duration $2T_E$, on the LC inputs before the next expected ACK pulse. The device now enters the IFF mode and expects to receive an 'Opcode' and a 0/16/32-bit Data-stream to react on. The data rate (T_E) is determined by the Transponder Baud Select (IFFB) configuration option.

3.2 IFF Decoder Commands

As shown in Figure 3-1, a logic 1 and 0 are differentiated by the time between two rising edges. A long pulse indicates a 1; a short pulse, a 0.

FIGURE 3-1: MODULATION FOR IFF COMMUNICATION

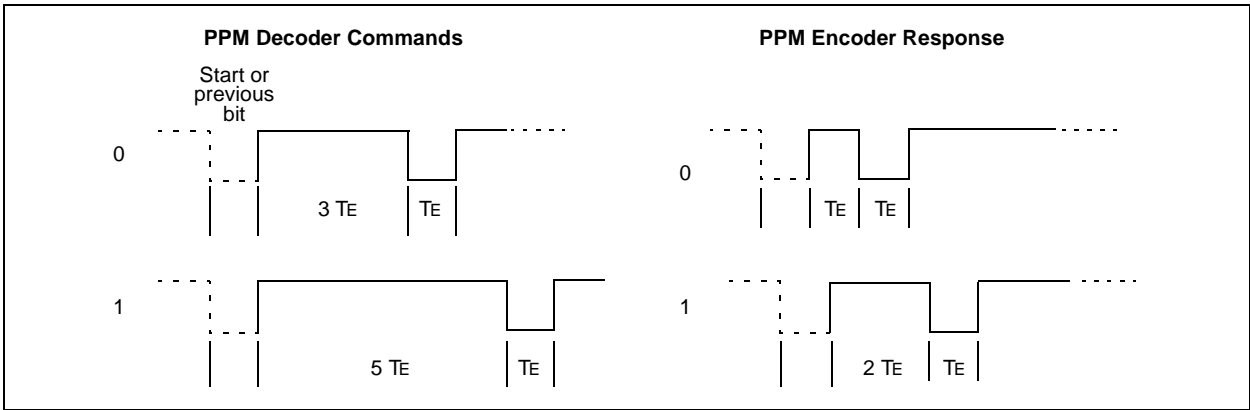


FIGURE 3-2: OVERVIEW OF IFF OPERATION

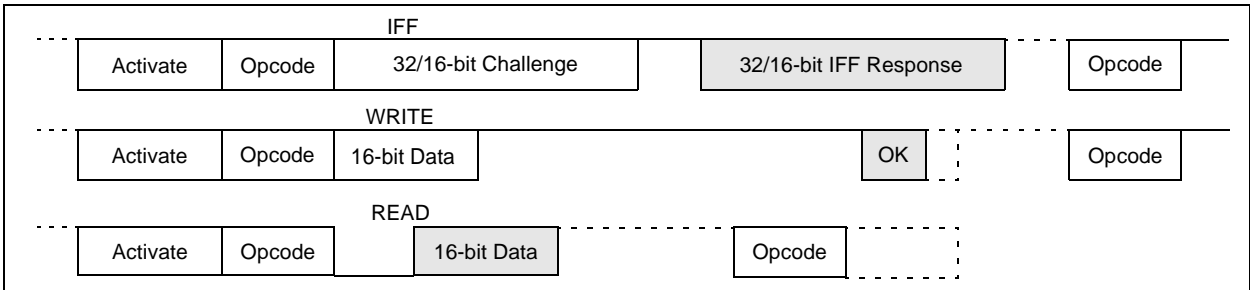


FIGURE 3-3: DECODER IFF COMMANDS AND WAVEFORMS

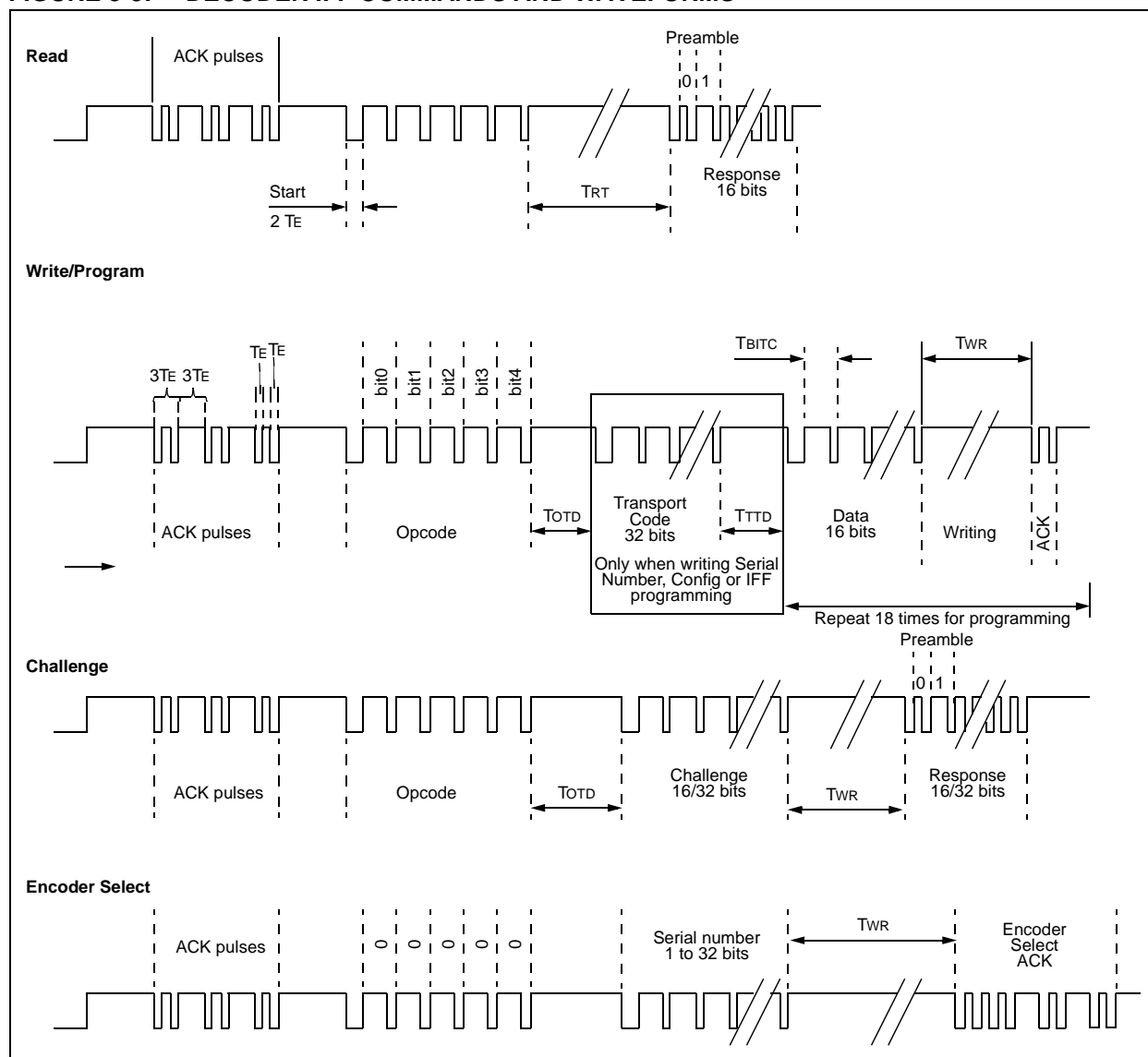


TABLE 3-1: IFF TIMING PARAMETERS

Parameter	Sym.	Min.	Typical	Max.	Units
Time Element IFFB = 0	TE	—	200	—	μs
PPM Command Bit Time Data = 1 Data = 0	TBITC	3.5 5.5	6 4	— —	TE
PPM Response Bit Time Data = 1 Data = 0	TBITR	— —	3 2	— —	TE
PPM Command Minimum High Time	TPMH	1.5	—	—	TE
Response Time (Minimum for Read)	TRT	6.5	—	—	ms
Opcode to Data Input Time	TODD	1.8	—	—	ms
Transport Code to Data Input Time	TTTD	6.8	—	—	ms
IFF EEPROM Write Time (16 bits)	TWR	—	16	30	ms

3.3 HCS410/WM Responses

The responses from the HCS410/WM are in PPM format. See Figure 3-3 for additional information. Every response from the HCS410 is preceded by a “2 bit preamble” of 01₂, and then 16/32 bits of data.

3.4 IFF Response

The 16/32-bit response to a 16/32-bit challenge, is transmitted once, after which the device is ready to accept another command. The same applies to the result of a Read command. The opcode written to the device specifies the challenge length and algorithm used. The response always starts with a leading preamble of 01₂ followed by the 16/32 bits of data.

3.5 IFF Write

The decoder can write to USER[0:3], SER[0:1], and the configuration word in the EEPROM.

After the HCS410/WM has written the word into the EEPROM, it will give two acknowledge pulses (TE wide and TE apart) on the LC pins.

When writing to the serial number or configuration word, the user must send the transport code before the write will begin.

Note: If the configuration word is written, the device must be reset to allow the new configuration settings to come into effect.

3.6 IFF Read

The decoder can read USER[0:3], SER[0:1], and the configuration word in the EEPROM. After the data has been read, the device is ready to receive a command again.

Each read command is followed by a 16-bit data response. The response always starts with a leading preamble of 01₂ and then the 16-bits of data.

TABLE 3-1: LIST OF IFF COMMANDS

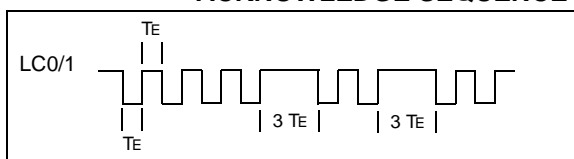
Command	Description	Expected data In	Response
00000	Select HCS410/WM, used if Anti-collision enabled	1 to 32 bits of the serial number (SER)	Encoder select acknowledge if SER match
00001	Read configuration word	None	16-bit configuration word
00010	Read low serial number	None	16 bits of serial number (SER0)
00011	Read high serial number	None	16 bits of serial number (SER1)
00100	Read user area 0	None	16 Bits of User EEPROM USR0
00101	Read user area 1	None	16 Bits of User EEPROM USR1
00110	Read user area 2	None	16 Bits of User EEPROM USR2
00111	Read user area 3	None	16 Bits of User EEPROM USR3
01000	Program HCS410 EEPROM	Transport code (32 bits); Complete memory map: 18 x 16 bit words (288 bits)	Write acknowledge pulse after each 16-bit word, 288 bits transmitted in 18 bursts of 16-bits
01001	Write configuration word	Transport code (32 bits); 16 Bit configuration word	Write acknowledge pulse
01010	Write low serial number	Transport code (32 bits); Lower 16 bits of serial number (SER0)	Write acknowledge pulse
01011	Write high serial number	Transport code (32 bits); Higher 16 bits of serial number (SER1)	Write acknowledge pulse
01100	Write user area 0	16 Bits of User EEPROM USR0	Write acknowledge pulse
01101	Write user area 1	16 Bits of User EEPROM USR1	Write acknowledge pulse
01110	Write user area 2	16 Bits of User EEPROM USR2	Write acknowledge pulse
01111	Write user area 3	16 Bits of User EEPROM USR3	Write acknowledge pulse
1X000	IFF1 using key-1 and IFF algorithm	32-Bit Challenge	32-Bit Response
1X001	IFF1 using key-1 and HOP algorithm	32-Bit Challenge	32-Bit Response
1X100	IFF2 32-bit using key-2 and IFF algorithm	32-Bit Challenge	32-Bit Response
1X101	IFF2 32-bit using key-2 and HOP algorithm	32-Bit Challenge	32-Bit Response

3.7 IFF Special Features

3.7.1 ANTI-COLLISION (ACOLI)

When the ACOLI bit is set in the configuration word, anti-collision mode is entered. The HCS410/WM will start sending ACK pulses when it enters a magnetic field. The ACK pulses stop as soon as the HCS410/WM detects a start bit from the decoder. A 'select encoder' opcode (00000) is then sent out by the decoder, followed by a 32-bit serial number. If the serial number matches the HCS410/WM's serial number, the HCS410/WM will acknowledge with the acknowledge sequence as shown in Figure 3-4. The HCS410/WM can then be addressed as normal. If the serial number does not match, the IFF encoder will stop transmitting ACK pulses until it is either removed from the field or the correct serial number is given.

FIGURE 3-4: SERIAL NUMBER CORRECT ACKNOWLEDGE SEQUENCE



3.7.2 INTELLIGENT DAMPING

If the IDAMP bit is set to 0, the HCS410/WM will clamp the LC pins for $5\ \mu\text{s}$ every $1/4\ T_E$, whenever the HCS410/WM is expecting data from the decoder. The intelligent damping pulses start $64\ T_E$ after the acknowledge pulses have been sent and continue for $64\ T_E$. If the HSC410 detects data from the base station while sending out damp pulses, the damp pulses will continue to be sent. The damping will help the LC circuit resonance decay faster when the field is removed. This can make high to low data field decay sharper.

4.0 EEPROM ORGANIZATION AND CONFIGURATION

The HCS410/WM has nonvolatile EEPROM memory which is used to store user programmable options. This information includes encoder keys, serial number, and up to 64-bits of user information.

4.1 IFF Programming

Upon receiving a programming opcode and the transport code, the EEPROM is erased. Thereafter, the first 16 bits of data can be written. After indicating that a write command has been successfully completed the device is ready to receive the next 16 bits. After a complete memory map was received, it will be transmitted in PPM format on the LC pins as 16-bit words.

After the EEPROM is erased, the configuration word is reloaded. This results in oscillator tuning bits of 0000 being used during programming. When using IFF programming, the user should read the configuration word and store the oscillator bits in the memory map to be programmed. A program command should be sent and the next set of ACK pulses transmitted by the HCS410/WM should be used to determine the TE. A second program command can then be sent, and the device programmed using the TE just calibrated.

4.2 Encoder Key 1 and 2

In IFF operation, the HCS410/WM uses encoder key1 or key2 to generate the response to a challenge received. The key or keys are created and programmed at the time of production using a key generation algorithm. Inputs to the key generation algorithm are the serial number and a secret manufacturer's code. While a number of key generation algorithms are supplied by Microchip, a user may elect to create their own method of key generation. This may be done providing that the decoder is programmed with the same means of creating the key for decryption purposes.

4.3 Transport Code

The least significant 32-bits of key2 are used as the transport code. The transport code is used to write-protect the serial number, configuration word and prevent accidental programming of the HCS410/WM.

4.4 Serial Number

There are 32 bits allocated for the serial number. The serial number is meant to be unique for every transmitter. The serial number can be programmed with a write command.

4.5 User Data

The 64-bit user EEPROM can be reprogrammed and read at any time using the IFF interface.

4.6 Configuration Data

The configuration data is used to select various encoder options. Further explanations of each of the bits are described in the following sections.

TABLE 4-1: CONFIGURATION OPTIONS

Symbol	Description
IDAMP	Intelligent Damping for High Q LC Tank.
IFF2	Enable IFF2 key
OSC0:3	Onboard Oscillator Tuning Bits
IFFB	Transponder Baud Rate
ACOLI	Anti Collision Communication Enable

4.6.1 IDAMP: INTELLIGENT DAMPING

If IDAMP is set to '1' intelligent damping is disabled.

4.6.2 IFF2: ENABLE IFF2 KEY

4.6.3 OSC: OSCILLATOR TUNING BITS

These bits allow the onboard oscillator to be tuned to within 10% of the nominal oscillator speed over both temperature and voltage.

TABLE 4-2: OSCILLATOR TUNING

OSC	Description
1000	Fastest
1001 1010 • • • 1111	Faster
0000	Nominal
0001 0010 • • • 0110	Slower
0111	Slowest

4.6.4 IFFB: TRANSPONDER BAUD RATE

This selects the baud rate for IFF communications for a TE of 200 μ s.

4.6.5 ACOLI: ANTI-COLLISION

If ACOLI is set, the anti-collision operation during bidirectional transponder mode (IFF) is enabled. This feature is useful in situations where multiple transponders enter the magnetic field simultaneously.

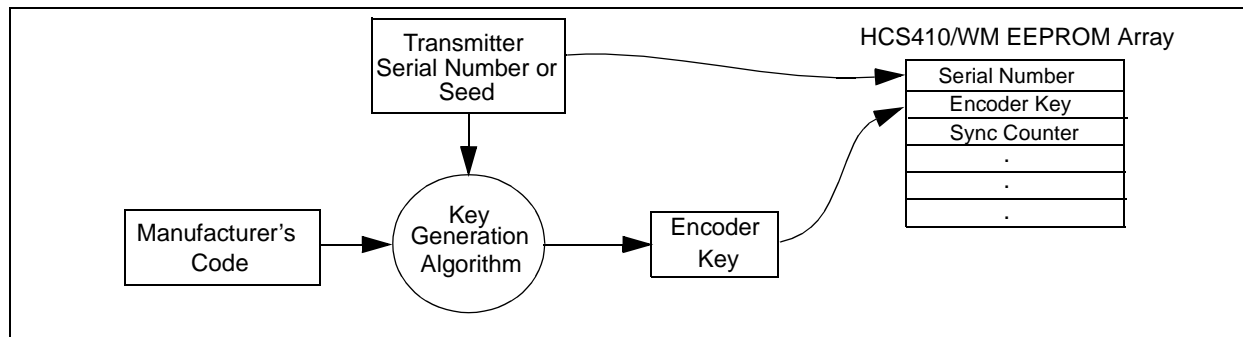
5.0 INTEGRATING THE HCS410/WM INTO A SYSTEM

Use of the HCS410/WM in a system requires a compatible decoder. This decoder is typically a microcontroller with compatible firmware. Firmware routines that accept transmissions from the HCS410/WM, decrypt the code hopping portion of the data stream and perform IFF functions are available. These routines provide system designers the means to develop their own decoding system.

5.1 Key Generation

The serial number for each transmitter is programmed by the manufacturer at the time of production. The generation of the encoder key is done using a key generation algorithm (Figure 5-1). Typically, inputs to the key generation algorithm are the serial number of the transmitter or seed value, and a 64-bit manufacturer's code. The manufacturer's code is chosen by the system manufacturer and must be carefully controlled. The manufacturer's code is a pivotal part of the overall system security.

FIGURE 5-1: CREATION AND STORAGE OF ENCODER KEY DURING PRODUCTION

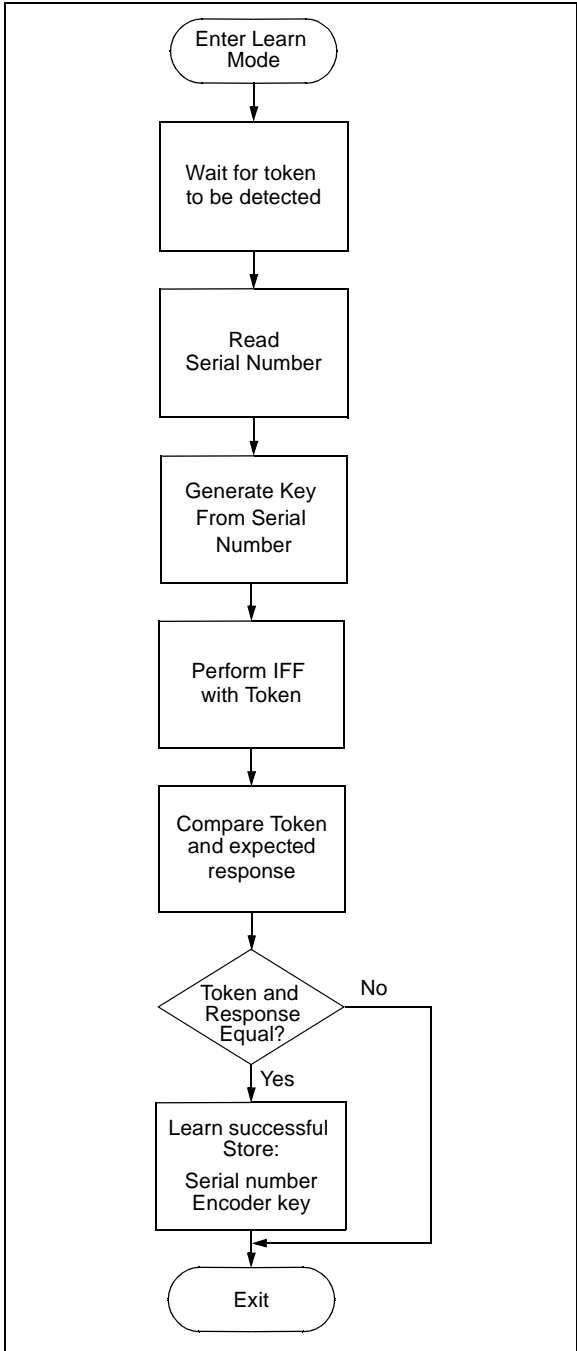


5.2 Receiver Learning an HCS410/WM

In order for a transmitter to be used with a decoder, the transmitter must first be 'learned'. Several learning strategies can be followed in the decoder implementation. When a transmitter is learned by a decoder, it is suggested that the decoder stores the serial number in EEPROM. The decoder must keep track of these values for every transmitter that is learned.

The maximum number of transmitters that can be learned is a function of how much EEPROM memory storage is available. The decoder must also store the manufacturer's code in order to learn an HCS410/WM, since this value will not change in a typical system, it is usually stored as part of the microcontroller ROM code. Storing the manufacturer's code as part of the ROM code is also better for security reasons.

FIGURE 5-2: TYPICAL IFF LEARN SEQUENCE



5.3 IFF Decoder Operation

In a typical IFF decoder, the key generation on the decoder side is done by reading the serial number from a token and combining that with the manufacturer's code to recreate the encoder key that is stored on the token. The decoder polls for the presence of a token. Once detected the decoder reads the serial number. If the token has been learned, the decoder sends a challenge and reads the token's response. The decoder uses the encoder key stored in EEPROM to decrypt the

response. The decrypted response is compared to the challenge. If they match, then identification was successful and the appropriate response is generated.

FIGURE 5-3: TYPICAL IFF DECODER OPERATION

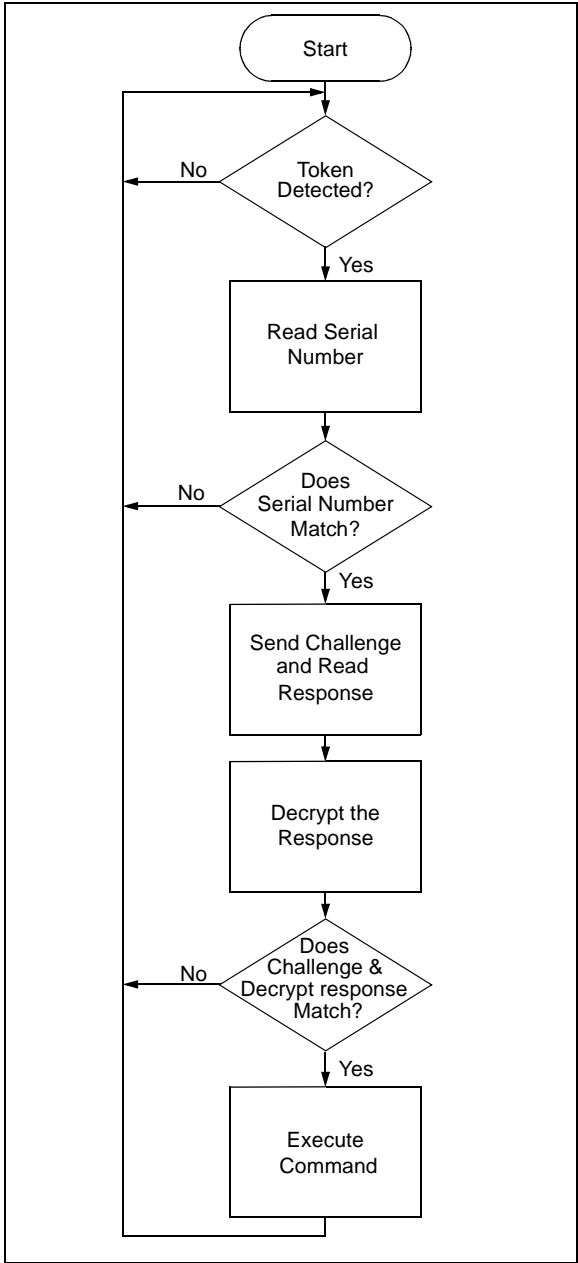
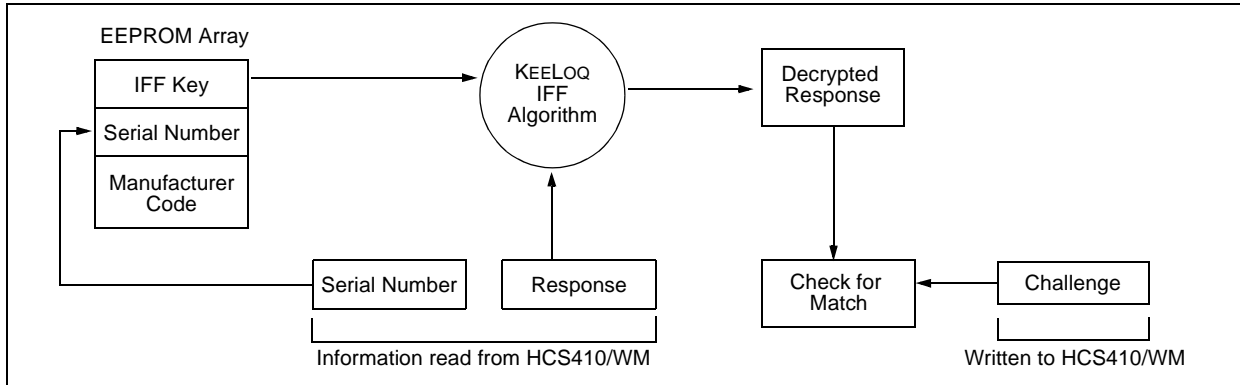


FIGURE 5-4: BASIC OPERATION OF AN IFF RECEIVER (DECODER)



6.0 ELECTRICAL CHARACTERISTICS

Note: This package is IP67 qualified. This qualification rating is based on the ingress protection tests performed in IEC529 (which equates to European Standard EN 60529). This standard indicates the degree of protection provided by the device against access to hazardous parts, solid foreign objects, and ingress of water.

TABLE 6-1: ABSOLUTE MAXIMUM RATING

Parameter	Symbol	Value	Units
Operating Temperature Range	TAMB	-40 to +85°	°C
Storage Temperature Range	TSTG	-40 to +100°	°C
Magnetic Field Strength	H	1000	A/m

TABLE 6-2: OPERATING CHARACTERISTICS TRANSPONDER

TAMB = 25°C, f = 125 kHz unless otherwise noted.						
Parameter	Symbol	Min.	Typ.	Max.	Unit	Test Conditions/Pins
Inductor						
Inductance	LRES	—	895	—	μH	
Resonating Capacitor						
Capacitance	CRES	—	1800	—	pF	
Pool Capacitor						
Capacitance	CPOOL	—	100	—	nF	
LC Circuit, H = 20 A/m						
Resonance Frequency	fR	123.1	125	128.4	kHz	
Quality Factor	Q	—	40	—		Read Mode

TABLE 6-3: MAGNETIC FIELD STRENGTH (H)

TAMB = 25°C, fR = 125 kHz unless otherwise noted.						
Parameter	Symbol	Min.	Typ.	Max.	Unit	Test Conditions/Pins
Minimum Field Strength						
Read Mode (Note) TAMB = -40°C TAMB = 25°C TAMB = 85°C	HREAD	— — —	11.0 7.5 10.5	— — —	A/m	
Write Mode (Note) TAMB = -40°C TAMB = 25°C TAMB = 85°C	HPROG	— — —	35 20 30	— — —	A/m	
Data Retention EEPROM	tRETENTION	10	—	—	Years	
Programming Cycles EEPROM	—	100,000	—	—		
Programming/Time/Word	tP	—	16	30	ms	

Note: Optimal coupling factor between base station and HCS410/WM.

FIGURE 6-1: TYPICAL READ FIELD STRENGTH OVER TEMPERATURE

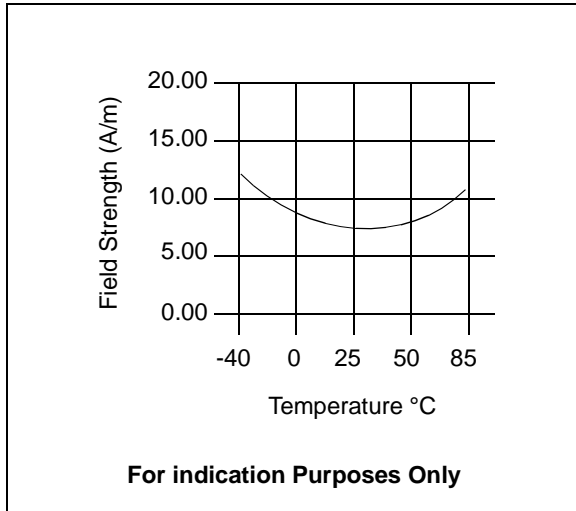
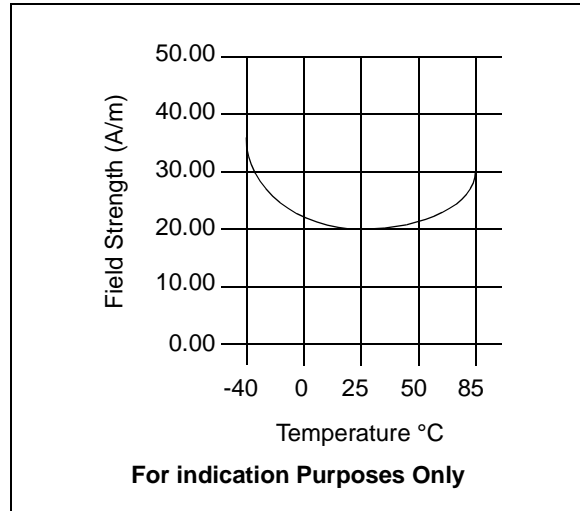


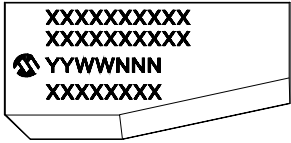
FIGURE 6-2: TYPICAL PROGRAM FIELD STRENGTH OVER TEMPERATURE



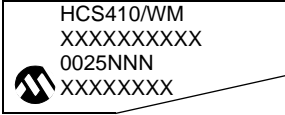
7.0 PACKAGING INFORMATION

7.1 Package Marking Information

SOT385



Example



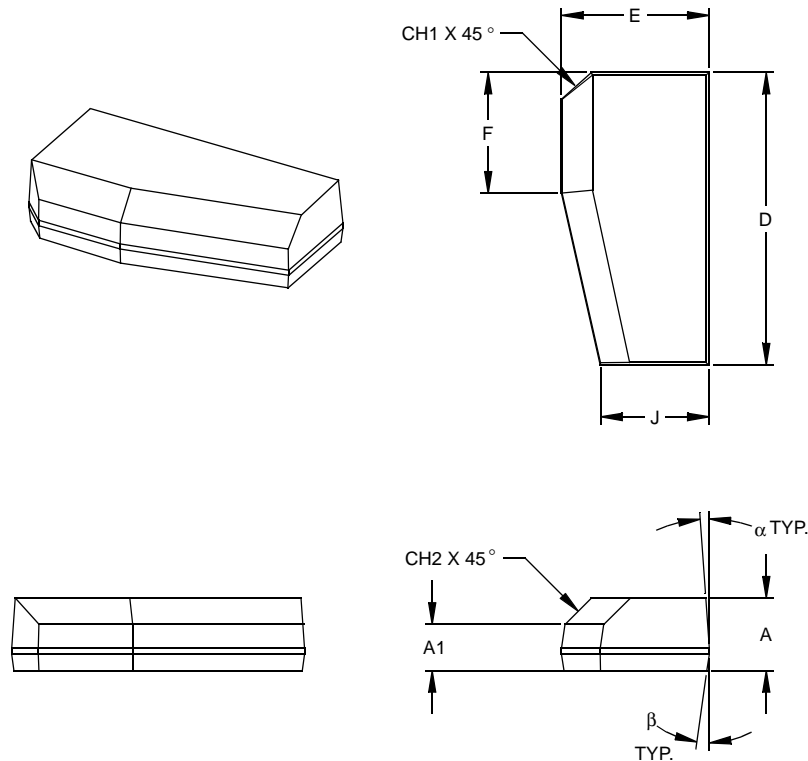
Legend:	XX...X	Customer specific information*
	YY	Year code (last 2 digits of calendar year)
	WW	Week code (week of January 1 is week '01')
	NNN	Alphanumeric traceability code
Note:	In the event the full Microchip part number cannot be marked on one line, it will be carried over to the next line thus limiting the number of available characters for customer specific information.	

* Standard OTP marking consists of Microchip part number, year code, week code, facility code, mask rev#, and assembly code. For OTP marking beyond this, certain price adders apply. Please check with your Microchip Sales Office. For QTP devices, any special marking adders are included in QTP price.

HCS410/WM

7.2 Package Details

Leadless Wedge Module Plastic Small Outline Transistor (WM) (SOT385)



Dimension Limits	Units	INCHES			MILLIMETERS*		
		MIN	NOM	MAX	MIN	NOM	MAX
Overall Height	A	.114	.118	.120	2.90	3.00	3.05
Bottom of Package to Chamfer	A1	.075	.079	.083	1.90	2.00	2.10
Overall Width	E	.236	.240	2.44	6.00	6.10	6.20
Overall Length	D	.472	.476	.480	12.00	12.10	12.20
Width at Tapered End	J	.173	.177	.181	4.40	4.50	4.60
Length of Flat	F	.193	.197	.200	4.90	5.00	5.10
Chamfer Distance, Horizontal	CH1	.039	.043	.047	1.00	1.10	1.20
Chamfer Distance, Vertical	CH2	.039	.043	.047	1.00	1.10	1.20
Mold Draft Angle Top	α	4	6	8	4	6	8
Mold Draft Angle Bottom	β	4	6	8	4	6	8

*Controlling Parameter

Notes:

Dimensions D, E, F and J do not include mold flash or protrusions. Mold flash or protrusions shall not exceed .010" (0.254mm) per side.

Drawing No. C04-109

ON-LINE SUPPORT

Microchip provides on-line support on the Microchip World Wide Web (WWW) site.

The web site is used by Microchip as a means to make files and information easily available to customers. To view the site, the user must have access to the Internet and a web browser, such as Netscape or Microsoft Explorer. Files are also available for FTP download from our FTP site.

Connecting to the Microchip Internet Web Site

The Microchip web site is available by using your favorite Internet browser to attach to:

www.microchip.com

The file transfer site is available by using an FTP service to connect to:

<ftp://ftp.microchip.com>

The web site and file transfer site provide a variety of services. Users may download files for the latest Development Tools, Data Sheets, Application Notes, User's Guides, Articles and Sample Programs. A variety of Microchip specific business information is also available, including listings of Microchip sales offices, distributors and factory representatives. Other data available for consideration is:

- Latest Microchip Press Releases
- Technical Support Section with Frequently Asked Questions
- Design Tips
- Device Errata
- Job Postings
- Microchip Consultant Program Member Listing
- Links to other useful web sites related to Microchip Products
- Conferences for products, Development Systems, technical information and more
- Listing of seminars and events

Systems Information and Upgrade Hot Line

The Systems Information and Upgrade Line provides system users a listing of the latest versions of all of Microchip's development systems software products. Plus, this line provides information on how customers can receive any currently available upgrade kits. The Hot Line Numbers are:

1-800-755-2345 for U.S. and most of Canada, and
1-480-792-7302 for the rest of the world.

HCS410/WM

READER RESPONSE

It is our intention to provide you with the best documentation possible to ensure successful use of your Microchip product. If you wish to provide your comments on organization, clarity, subject matter, and ways in which our documentation can better serve you, please FAX your comments to the Technical Publications Manager at (480) 792-7578.

Please list the following information, and use this outline to provide us with your comments about this Data Sheet.

To: Technical Publications Manager Total Pages Sent
RE: Reader Response
From: Name _____
Company _____
Address _____
City / State / ZIP / Country _____
Telephone: (_____) _____ - _____ FAX: (_____) _____ - _____

Application (optional):

Would you like a reply? ___Y ___N

Device: **HCS410/WM** Literature Number: **DS41116B**

Questions:

1. What are the best features of this document?

2. How does this document meet your hardware and software development needs?

3. Do you find the organization of this data sheet easy to follow? If not, why?

4. What additions to the data sheet do you think would enhance the structure and subject?

5. What deletions from the data sheet could be made without affecting the overall usefulness?

6. Is there any incorrect or misleading information (what and where)?

7. How would you improve this document?

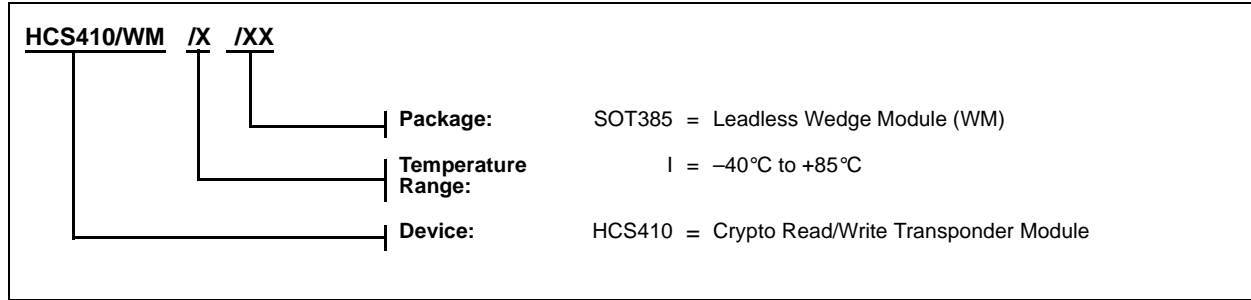
8. How would you improve our software, systems, and silicon products?

NOTES:

HCS410/WM

HCS410/WM PRODUCT IDENTIFICATION SYSTEM

To order or obtain information, e.g., on pricing or delivery, refer to the factory or the listed sales office.



Sales and Support

Data Sheets

Products supported by a preliminary Data Sheet may have an errata sheet describing minor operational differences and recommended workarounds. To determine if an errata sheet exists for a particular device, please contact one of the following:

1. Your local Microchip sales office
2. The Microchip Corporate Literature Center U.S. FAX: (480) 792-7277.
3. The Microchip Worldwide Site (www.microchip.com)

Please specify which device, revision of silicon and Data Sheet (include Literature #) you are using.

New Customer Notification System

Register on our web site (www.microchip.com/cn) to receive the most current information on our products.

“All rights reserved. Copyright © 2001, Microchip Technology Incorporated, USA. Information contained in this publication regarding device applications and the like is intended through suggestion only and may be superseded by updates. No representation or warranty is given and no liability is assumed by Microchip Technology Incorporated with respect to the accuracy or use of such information, or infringement of patents or other intellectual property rights arising from such use or otherwise. Use of Microchip’s products as critical components in life support systems is not authorized except with express written approval by Microchip. No licenses are conveyed, implicitly or otherwise, under any intellectual property rights. The Microchip logo and name are registered trademarks of Microchip Technology Inc. in the U.S.A. and other countries. All rights reserved. All other trademarks mentioned herein are the property of their respective companies. No licenses are conveyed, implicitly or otherwise, under any intellectual property rights.”

Trademarks

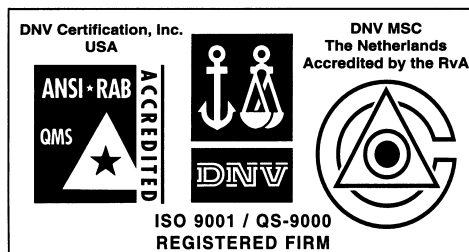
The Microchip name, logo, PIC, PICmicro, PICMASTER, PICSTART, PRO MATE, KEELoQ, SEEVAL, MPLAB and The Embedded Control Solutions Company are registered trademarks of Microchip Technology Incorporated in the U.S.A. and other countries.

Total Endurance, ICSP, In-Circuit Serial Programming, FilterLab, MXDEV, microID, FlexROM, fuzzyLAB, MPASM, MPLINK, MPLIB, PICDEM, ICEPIC, Migratable Memory, FanSense, ECONOMONITOR, SelectMode and microPort are trademarks of Microchip Technology Incorporated in the U.S.A.

Serialized Quick Term Programming (SQTP) is a service mark of Microchip Technology Incorporated in the U.S.A.

All other trademarks mentioned herein are property of their respective companies.

© 2001, Microchip Technology Incorporated, Printed in the U.S.A., All Rights Reserved.



Microchip received QS-9000 quality system certification for its worldwide headquarters, design and wafer fabrication facilities in Chandler and Tempe, Arizona in July 1999. The Company's quality system processes and procedures are QS-9000 compliant for its PICmicro® 8-bit MCUs, KEELoQ® code hopping devices, Serial EEPROMs and microperipheral products. In addition, Microchip's quality system for the design and manufacture of development systems is ISO 9001 certified.



WORLDWIDE SALES AND SERVICE

AMERICAS

Corporate Office

2355 West Chandler Blvd.
Chandler, AZ 85224-6199
Tel: 480-792-7200 Fax: 480-792-7277
Technical Support: 480-792-7627
Web Address: <http://www.microchip.com>

Rocky Mountain

2355 West Chandler Blvd.
Chandler, AZ 85224-6199
Tel: 480-792-7966 Fax: 480-792-7456

Atlanta

500 Sugar Mill Road, Suite 200B
Atlanta, GA 30350
Tel: 770-640-0034 Fax: 770-640-0307

Austin

Analog Product Sales
8303 MoPac Expressway North
Suite A-201
Austin, TX 78759
Tel: 512-345-2030 Fax: 512-345-6085

Boston

2 Lan Drive, Suite 120
Westford, MA 01886
Tel: 978-692-3848 Fax: 978-692-3821

Boston

Analog Product Sales
Unit A-8-1 Millbrook Tarry Condominium
97 Lowell Road
Concord, MA 01742
Tel: 978-371-6400 Fax: 978-371-0050

Chicago

333 Pierce Road, Suite 180
Itasca, IL 60143
Tel: 630-285-0071 Fax: 630-285-0075

Dallas

4570 Westgrove Drive, Suite 160
Addison, TX 75001
Tel: 972-818-7423 Fax: 972-818-2924

Dayton

Two Prestige Place, Suite 130
Miamisburg, OH 45342
Tel: 937-291-1654 Fax: 937-291-9175

Detroit

Tri-Atria Office Building
32255 Northwestern Highway, Suite 190
Farmington Hills, MI 48334
Tel: 248-538-2250 Fax: 248-538-2260

Los Angeles

18201 Von Karman, Suite 1090
Irvine, CA 92612
Tel: 949-263-1888 Fax: 949-263-1338

Mountain View

Analog Product Sales
1300 Terra Bella Avenue
Mountain View, CA 94043-1836
Tel: 650-968-9241 Fax: 650-967-1590

New York

150 Motor Parkway, Suite 202
Hauppauge, NY 11788
Tel: 631-273-5305 Fax: 631-273-5335

San Jose

Microchip Technology Inc.
2107 North First Street, Suite 590
San Jose, CA 95131
Tel: 408-436-7950 Fax: 408-436-7955

Toronto

6285 Northam Drive, Suite 108
Mississauga, Ontario L4V 1X5, Canada
Tel: 905-673-0699 Fax: 905-673-6509

ASIA/PACIFIC

Australia

Microchip Technology Australia Pty Ltd
Suite 22, 41 Rawson Street
Epping 2121, NSW
Australia
Tel: 61-2-9868-6733 Fax: 61-2-9868-6755

China - Beijing

Microchip Technology Beijing Office
Unit 915
New China Hong Kong Manhattan Bldg.
No. 6 Chaoyangmen Beidajie
Beijing, 100027, No. China
Tel: 86-10-85282100 Fax: 86-10-85282104

China - Shanghai

Microchip Technology Shanghai Office
Room 701, Bldg. B
Far East International Plaza
No. 317 Xian Xia Road
Shanghai, 200051
Tel: 86-21-6275-5700 Fax: 86-21-6275-5060

Hong Kong

Microchip Asia Pacific
RM 2101, Tower 2, Metroplaza
223 Hing Fong Road
Kwai Fong, N.T., Hong Kong
Tel: 852-2401-1200 Fax: 852-2401-3431

India

Microchip Technology Inc.
India Liaison Office
Divyasree Chambers
1 Floor, Wing A (A3/A4)
No. 11, O'Shaughnessey Road
Bangalore, 560 025, India
Tel: 91-80-2290061 Fax: 91-80-2290062

Japan

Microchip Technology Intl. Inc.
Benex S-1 6F
3-18-20, Shinyokohama
Kohoku-Ku, Yokohama-shi
Kanagawa, 222-0033, Japan
Tel: 81-45-471-6166 Fax: 81-45-471-6122

ASIA/PACIFIC (continued)

Korea

Microchip Technology Korea
168-1, Youngbo Bldg. 3 Floor
Samsung-Dong, Kangnam-Ku
Seoul, Korea
Tel: 82-2-554-7200 Fax: 82-2-558-5934

Singapore

Microchip Technology Singapore Pte Ltd.
200 Middle Road
#07-02 Prime Centre
Singapore, 188980
Tel: 65-334-8870 Fax: 65-334-8850

Taiwan

Microchip Technology Taiwan
11F-3, No. 207
Tung Hua North Road
Taipei, 105, Taiwan
Tel: 886-2-2717-7175 Fax: 886-2-2545-0139

EUROPE

Denmark

Microchip Technology Denmark ApS
Regus Business Centre
Lautrup høj 1-3
Ballerup DK-2750 Denmark
Tel: 45 4420 9895 Fax: 45 4420 9910

France

Arizona Microchip Technology SARL
Parc d'Activite du Moulin de Massy
43 Rue du Saule Trapu
Batiment A - 1er Etage
91300 Massy, France
Tel: 33-1-69-53-63-20 Fax: 33-1-69-30-90-79

Germany

Arizona Microchip Technology GmbH
Gustav-Heinemann Ring 125
D-81739 Munich, Germany
Tel: 49-89-627-144 0 Fax: 49-89-627-144-44

Germany

Analog Product Sales
Lochhamer Strasse 13
D-82152 Martinsried, Germany
Tel: 49-89-895650-0 Fax: 49-89-895650-22

Italy

Arizona Microchip Technology SRL
Centro Direzionale Colleoni
Palazzo Taurus 1 V. Le Colleoni 1
20041 Agrate Brianza
Milan, Italy
Tel: 39-039-65791-1 Fax: 39-039-6899883

United Kingdom

Arizona Microchip Technology Ltd.
505 Eskdale Road
Winnersh Triangle
Wokingham
Berkshire, England RG41 5TU
Tel: 44 118 921 5869 Fax: 44-118 921-5820

01/30/01

All rights reserved. © 2001 Microchip Technology Incorporated. Printed in the USA. 2/01  Printed on recycled paper.

Information contained in this publication regarding device applications and the like is intended through suggestion only and may be superseded by updates. It is your responsibility to ensure that your application meets with your specifications. No representation or warranty is given and no liability is assumed by Microchip Technology Incorporated with respect to the accuracy or use of such information, or infringement of patents or other intellectual property rights arising from such use or otherwise. Use of Microchip's products as critical components in life support systems is not authorized except with express written approval by Microchip. No licenses are conveyed, implicitly or otherwise, except as maybe explicitly expressed herein, under any intellectual property rights. The Microchip logo and name are registered trademarks of Microchip Technology Inc. in the U.S.A. and other countries. All rights reserved. All other trademarks mentioned herein are the property of their respective companies.