

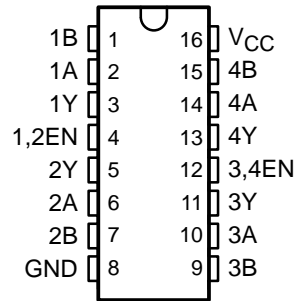
# MC3486

## QUADRUPLE DIFFERENTIAL LINE RECEIVER WITH 3-STATE OUTPUTS

SLLS097B – JUNE 1980 – REVISED MAY 1995

- Meets or Exceeds the Requirements of ANSI Standards EIA/TIA-422-B and EIA/TIA-423-B and ITU Recommendations V.10 and V.11
- 3-State, TTL-Compatible Outputs
- Fast Transition Times
- Operates From Single 5-V Supply
- Designed to Be Interchangeable With Motorola™ MC3486

D OR N PACKAGE  
(TOP VIEW)



### description

The MC3486 is a monolithic quadruple differential line receiver designed to meet the specifications of ANSI Standards EIA/TIA-422-B and EIA/TIA-423-B and ITU Recommendations V.10 and V.11. The MC3486 offers four independent differential-input line receivers that have TTL-compatible outputs. The outputs utilize 3-state circuitry to provide a high-impedance state at any output when the appropriate output enable is at a low logic level.

The MC3486 is designed for optimum performance when used with the MC3487 quadruple differential line driver. It is supplied in a 16-pin package and operates from a single 5-V supply.

The MC3486 is characterized for operation from 0°C to 70°C.

FUNCTION TABLE  
(each receiver)

DIFFERENTIAL INPUTS A-B	ENABLE	OUTPUT Y
$V_{ID} \leq 0.2 \text{ V}$	H	H
$-0.2 \text{ V} < V_{ID} < 0.2 \text{ V}$	H	?
$V_{ID} \leq -0.2 \text{ V}$	H	L
Irrelevant	L	Z
Open	H	?

H = high level, L = low level, Z = high impedance (off),  
? = indeterminate



Please be aware that an important notice concerning availability, standard warranty, and use in critical applications of Texas Instruments semiconductor products and disclaimers thereto appears at the end of this data sheet.

Motorola is a trademark of Motorola, Incorporated.

PRODUCTION DATA information is current as of publication date. Products conform to specifications per the terms of Texas Instruments standard warranty. Production processing does not necessarily include testing of all parameters.



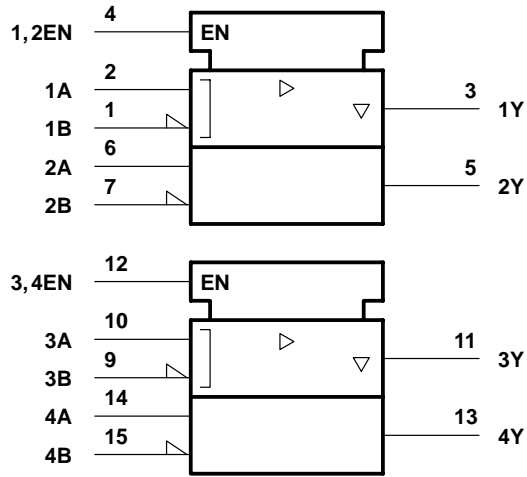
POST OFFICE BOX 655303 • DALLAS, TEXAS 75265

Copyright © 1995, Texas Instruments Incorporated

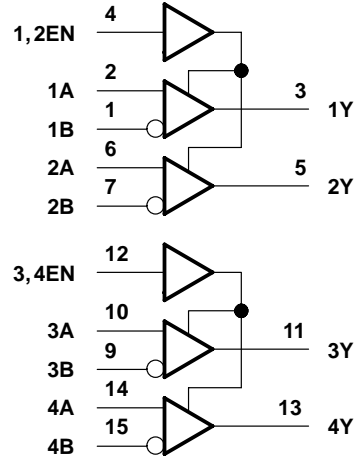
# MC3486 QUADRUPLE DIFFERENTIAL LINE RECEIVER WITH 3-STATE OUTPUTS

SLLS097B – JUNE 1980 – REVISED MAY 1995

## logic symbol†

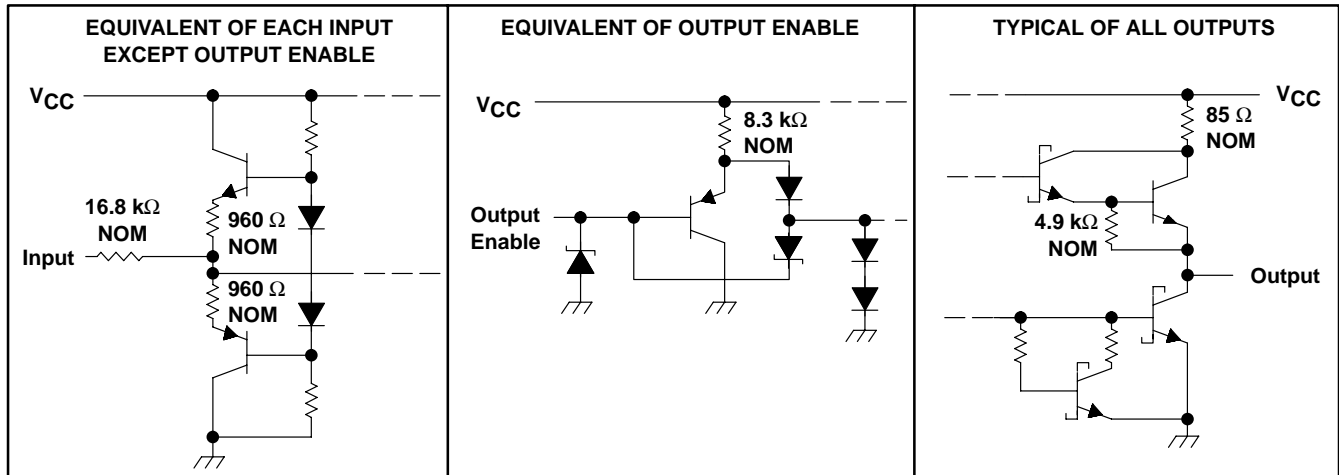


## logic diagram (positive logic)



† This symbol is in accordance with ANSI/IEEE Std 91-1984 and IEC Publication 617-12.

## schematics of inputs and outputs



# MC3486 QUADRUPLE DIFFERENTIAL LINE RECEIVER WITH 3-STATE OUTPUTS

SLLS097B – JUNE 1980 – REVISED MAY 1995

## absolute maximum ratings over operating free-air temperature range (unless otherwise noted)†

Supply voltage, $V_{CC}$ (see Note 1)	8 V
Input voltage, $V_I$ (A or B inputs)	$\pm 15$ V
Differential input voltage, $V_{ID}$ (see Note 2)	$\pm 25$ V
Enable input voltage	8 V
Low-level output current, $I_{OL}$	50 mA
Continuous total power dissipation	See Dissipation Rating Table
Operating free-air temperature range, $T_A$	$0^\circ\text{C}$ to $70^\circ\text{C}$
Storage temperature range, $T_{stg}$	$-65^\circ\text{C}$ to $150^\circ\text{C}$
Lead temperature 1,6 mm (1/16 inch) from case for 10 seconds	$260^\circ\text{C}$

† Stresses beyond those listed under “absolute maximum ratings” may cause permanent damage to the device. These are stress ratings only, and functional operation of the device at these or any other conditions beyond those indicated under “recommended operating conditions” is not implied. Exposure to absolute-maximum-rated conditions for extended periods may affect device reliability.

- NOTES: 1. All voltage values, except differential-input voltage, are with respect to network ground terminal.  
2. Differential-input voltage is measured at the noninverting input with respect to the corresponding inverting input.

**DISSIPATION RATING TABLE**

PACKAGE	$T_A \leq 25^\circ\text{C}$ POWER RATING	DERATING FACTOR ABOVE $T_A = 25^\circ\text{C}$	$T_A = 70^\circ\text{C}$ POWER RATING
D	950 mW	7.6 mW/ $^\circ\text{C}$	608 mW
N	1150 mW	9.2 mW/ $^\circ\text{C}$	736 mW

## recommended operating conditions

	MIN	NOM	MAX	UNIT
Supply voltage, $V_{CC}$	4.75	5	5.25	V
Common-mode input voltage, $V_{IC}$			$\pm 7$	V
Differential input voltage, $V_{ID}$			$\pm 6$	V
High-level enable input voltage, $V_{IH}$	2			V
Low-level enable input voltage, $V_{IL}$			0.8	V
Operating free-air temperature, $T_A$	0		70	$^\circ\text{C}$

# MC3486

## QUADRUPLE DIFFERENTIAL LINE RECEIVER WITH 3-STATE OUTPUTS

SLLS097B – JUNE 1980 – REVISED MAY 1995

electrical characteristics over recommended ranges of common-mode input voltage, supply voltage, and operating free-air temperature (unless otherwise noted)

PARAMETER		TEST CONDITIONS	MIN	MAX	UNIT
$V_{IT+}$	Differential input high-threshold voltage	$V_O = 2.7\text{ V}$ , $I_O = -0.4\text{ mA}$		0.2	V
$V_{IT-}$	Differential input low-threshold voltage	$V_O = 0.5\text{ V}$ , $I_O = -8\text{ mA}$	$-0.2^\dagger$		V
$V_{IK}$	Enable-input clamp voltage	$I_I = -10\text{ mA}$		-1.5	V
$V_{OH}$	High-level output voltage	$V_{ID} = 0.4\text{ V}$ , $I_O = -0.4\text{ mA}$ , See Note 3 and Figure 1	2.7		V
$V_{OL}$	Low-level output voltage	$V_{ID} = -0.4\text{ V}$ , $I_O = 8\text{ mA}$ , See Note 3 and Figure 1		0.5	V
$I_{OZ}$	High-impedance-state output current	$V_{IL} = 0.8\text{ V}$ , $V_{ID} = -3\text{ V}$ , $V_O = 2.7\text{ V}$		40	$\mu\text{A}$
		$V_{IL} = 0.8\text{ V}$ , $V_{ID} = 3\text{ V}$ , $V_O = 0.5\text{ V}$		-40	
$I_{IB}$	Differential-input bias current	$V_{CC} = 0\text{ V}$ or $5.25\text{ V}$ , Other inputs at $0\text{ V}$	$V_I = -10\text{ V}$	-3.25	mA
			$V_I = -3\text{ V}$	-1.5	
			$V_I = 3\text{ V}$	1.5	
			$V_I = 10\text{ V}$	3.25	
$I_{IH}$	High-level enable input current	$V_I = 5.25\text{ V}$		100	$\mu\text{A}$
		$V_I = 2.7\text{ V}$		20	
$I_{IL}$	Low-level enable input current	$V_I = -0.5\text{ V}$		-100	$\mu\text{A}$
$I_{OS}$	Short-circuit output current	$V_{ID} = 3\text{ V}$ , $V_O = 0$ , See Note 4	-15	-100	mA
$I_{CC}$	Supply current	$V_{IL} = 0$		85	mA

† The algebraic convention, in which the least positive (most negative) limit is designated as minimum, is used in this data sheet for threshold voltages only.

NOTES: 3. Refer to ANSI Standards EIA/TIA-422-B and EIA/TIA-423-B for exact conditions.

4. Only one output should be shorted at a time.

### switching characteristics, $V_{CC} = 5\text{ V}$ , $C_L = 15\text{ pF}$ , $T_A = 25^\circ\text{C}$

PARAMETER		TEST CONDITIONS	MIN	TYP	MAX	UNIT
$t_{PHL}$	Propagation delay time, high- to low-level output	See Figure 2		28	35	ns
$t_{PLH}$	Propagation delay time, low- to high-level output			27	30	ns
$t_{PZH}$	Output enable time to high level	See Figure 3		13	30	ns
$t_{PZL}$	Output enable time to low level			20	30	ns
$t_{PHZ}$	Output disable time from high level			26	35	ns
$t_{PLZ}$	Output disable time from low level			27	35	ns



**PARAMETER MEASUREMENT INFORMATION**

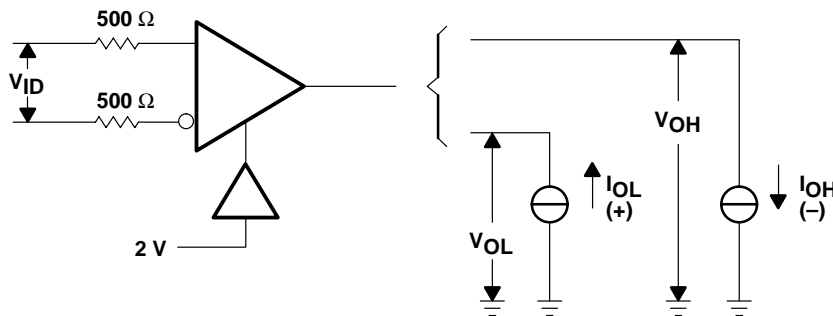
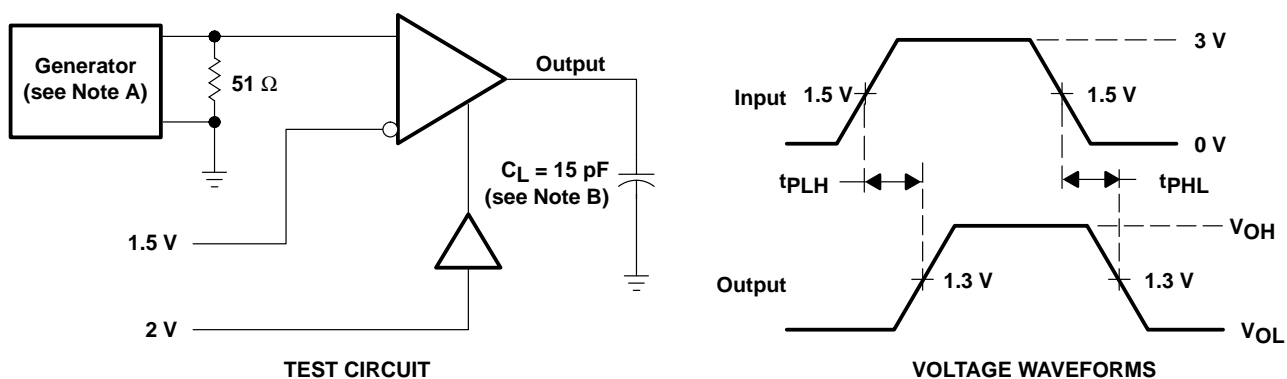


Figure 1.  $V_{OH}$ ,  $V_{OL}$



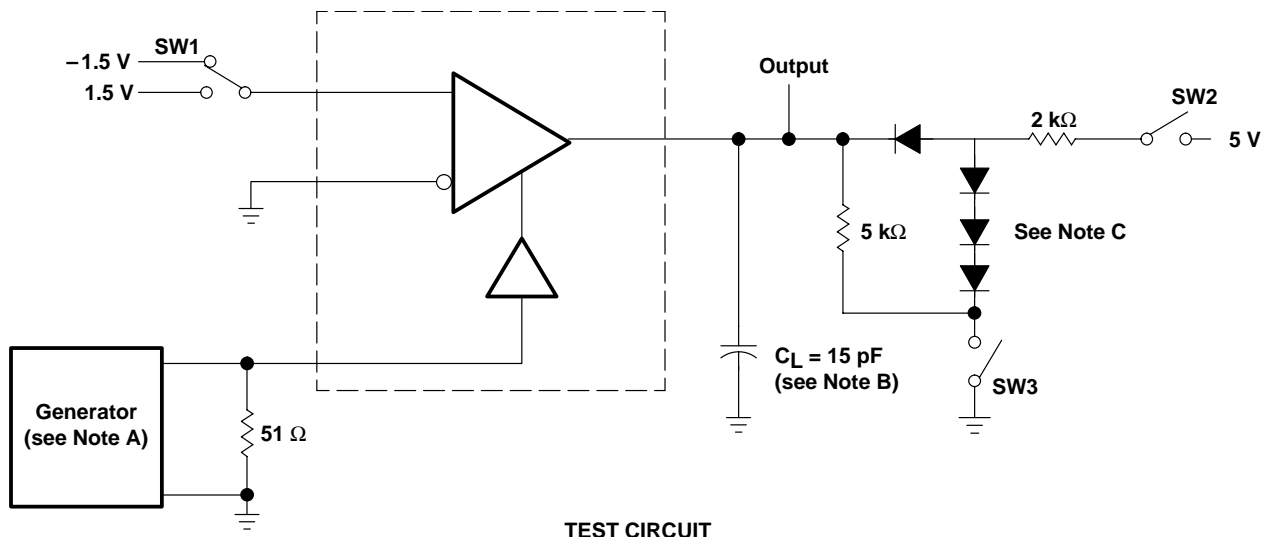
- NOTES: A. The input pulse is supplied by a generator having the following characteristics:  $PRR \leq 1 \text{ MHz}$ , duty cycle = 50%,  $t_r \leq 6 \text{ ns}$ ,  $t_f \leq 6 \text{ ns}$ .  
 B.  $C_L$  includes probe and stray capacitance.

Figure 2. Test Circuit and Voltage Waveforms

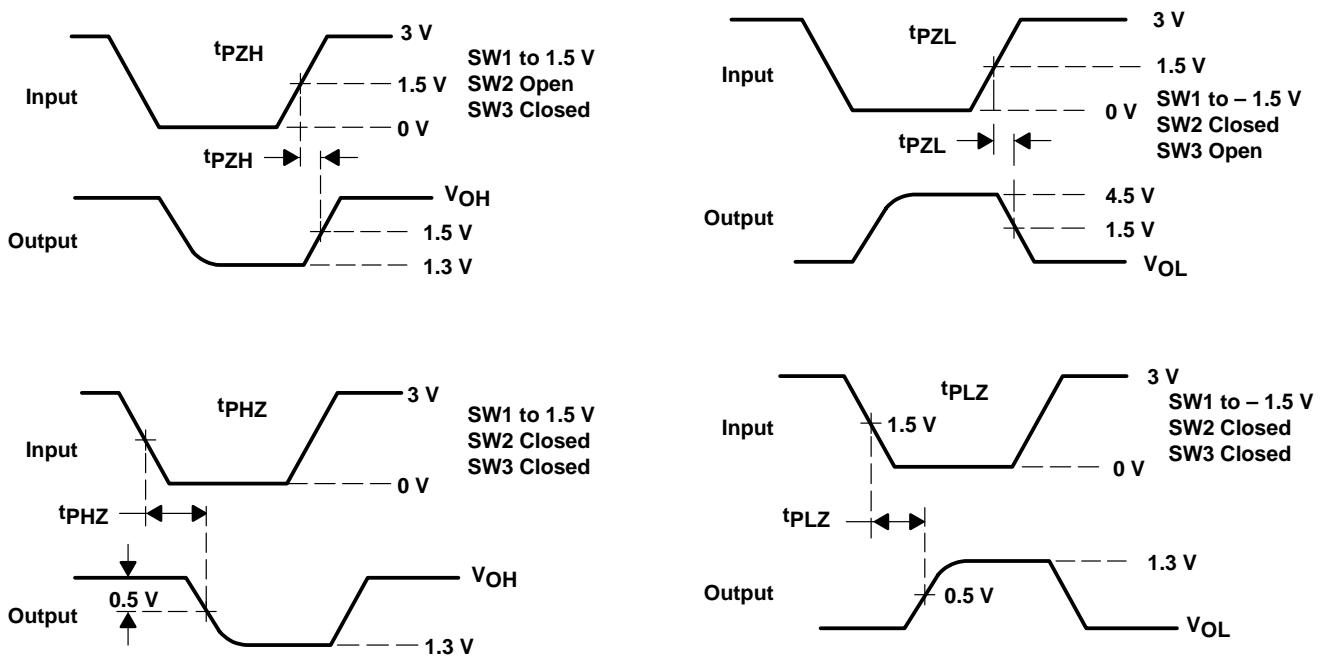
# MC3486 QUADRUPLE DIFFERENTIAL LINE RECEIVER WITH 3-STATE OUTPUTS

SLLS097B – JUNE 1980 – REVISED MAY 1995

## PARAMETER MEASUREMENT INFORMATION



TEST CIRCUIT



- NOTES: A. The input pulse is supplied by a generator having the following characteristics: PRR  $\leq$  1 MHz, duty cycle = 50%,  $t_r \leq$  6 ns,  $t_f \leq$  6 ns.  
 B.  $C_L$  includes probe and stray capacitance.  
 C. All diodes are 1N916 or equivalent.

Figure 3. Test Circuit and Voltage Waveforms

## IMPORTANT NOTICE

Texas Instruments and its subsidiaries (TI) reserve the right to make changes to their products or to discontinue any product or service without notice, and advise customers to obtain the latest version of relevant information to verify, before placing orders, that information being relied on is current and complete. All products are sold subject to the terms and conditions of sale supplied at the time of order acknowledgment, including those pertaining to warranty, patent infringement, and limitation of liability.

TI warrants performance of its products to the specifications applicable at the time of sale in accordance with TI's standard warranty. Testing and other quality control techniques are utilized to the extent TI deems necessary to support this warranty. Specific testing of all parameters of each device is not necessarily performed, except those mandated by government requirements.

Customers are responsible for their applications using TI components.

In order to minimize risks associated with the customer's applications, adequate design and operating safeguards must be provided by the customer to minimize inherent or procedural hazards.

TI assumes no liability for applications assistance or customer product design. TI does not warrant or represent that any license, either express or implied, is granted under any patent right, copyright, mask work right, or other intellectual property right of TI covering or relating to any combination, machine, or process in which such products or services might be or are used. TI's publication of information regarding any third party's products or services does not constitute TI's approval, license, warranty or endorsement thereof.

Reproduction of information in TI data books or data sheets is permissible only if reproduction is without alteration and is accompanied by all associated warranties, conditions, limitations and notices. Representation or reproduction of this information with alteration voids all warranties provided for an associated TI product or service, is an unfair and deceptive business practice, and TI is not responsible nor liable for any such use.

Resale of TI's products or services with statements different from or beyond the parameters stated by TI for that product or service voids all express and any implied warranties for the associated TI product or service, is an unfair and deceptive business practice, and TI is not responsible nor liable for any such use.

Also see: [Standard Terms and Conditions of Sale for Semiconductor Products](http://www.ti.com/sc/docs/stdterms.htm). [www.ti.com/sc/docs/stdterms.htm](http://www.ti.com/sc/docs/stdterms.htm)

### Mailing Address:

Texas Instruments  
Post Office Box 655303  
Dallas, Texas 75265